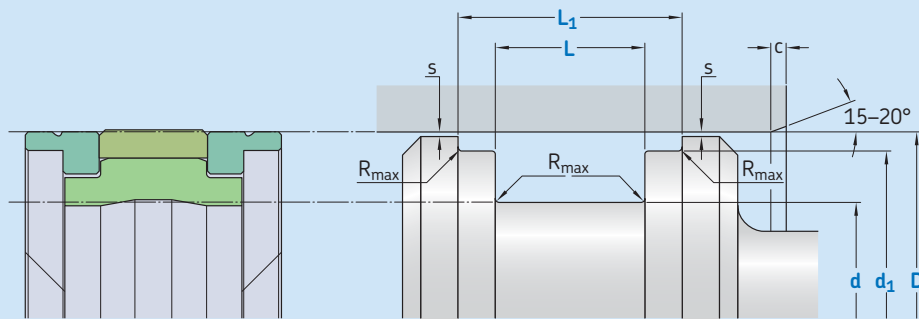


K09-F



Ordering dimensions in **blue**

Surface roughness	R_{tmax}	R_a
Sliding surface	$\leq 2,5 \mu m$	$0,05-0,2 \mu m$
Bottom of groove	$\leq 6,3 \mu m$	$\leq 1,6 \mu m$
Groove face	$\leq 15 \mu m$	$\leq 3 \mu m$

Bearing area: 50–95% and a cutting depth of $0,5 R_z$ based on $C_{ref} = 0\%$

Standard dimensions

D	H9	d	d ₁	L	L ₁	R _{max}	c	s*
over	incl.	h9	h8	+ 0,2				
20	50	D - 10	D - 3	12,5	20,5	0,4	4	0,35
50	80	D - 15	D - 4	20	28	0,4	5	0,50
80	150	D - 20	D - 5	25	36	0,4	6	0,65
150	400	D - 25	D - 6	32	46	0,4	8,5	0,78
400	650	D - 30	D - 8	36	50	0,4	10	1,00

* Extrusion gap values shown above are valid for a temperature of 70 °C, higher temperatures require lower values.

Ordering example

Profile
D x d/d₁ x L/L₁ [mm]
Sealing material / Energizer / Backup ring

Piston seal K09-F
100 x 80/95 x 25/36
SKF Ecoflon 3 / SKF Ecorubber-1 / SKF Ecotal

Operating parameters

Material Seal	Energizer	Backup ring	Temperature		Speed ¹⁾	Pressure ²⁾
			from	to	max	max
-			°C		m/s	bar (MPa)
■ X-ECOPUR					1	
■ X-ECOPUR H						
■ X-ECOPUR S	■ SKF Ecorubber-1	■ SKF Ecotal ³⁾ ■ SKF Ecomid ³⁾	-30	+100	1,2	400 (40)
■ SKF Ecoflon 2					1,5	
■ SKF Ecoflon 3						
■ SKF Ecoflon 4	■ SKF Ecorubber-2	■ SKF Ecopaek	-20	+200		

IMPORTANT NOTE: The stated operating conditions represent general indications. It is recommended not to use all maximum values simultaneously.

¹⁾ Surface speed limit values are valid only in the presence of a lubrication film.

²⁾ Pressure ratings depend on the size of the extrusion gap.

³⁾ D ≤ 260 mm → SKF Ecotal, D > 260 mm → SKF Ecomid.