

Linear actuator

FD series

Benefits

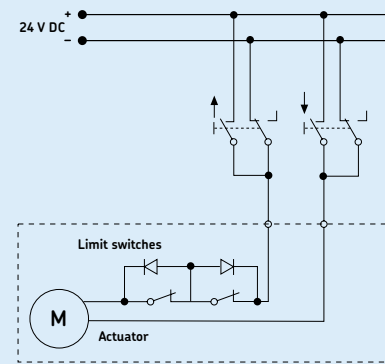
- Cost-effective actuator
- Hall effect sensors for feedback
- Rear clevis can be turned per step of 30°
- Built-in limit switches (factory pre-set)
- UL 1004 certification



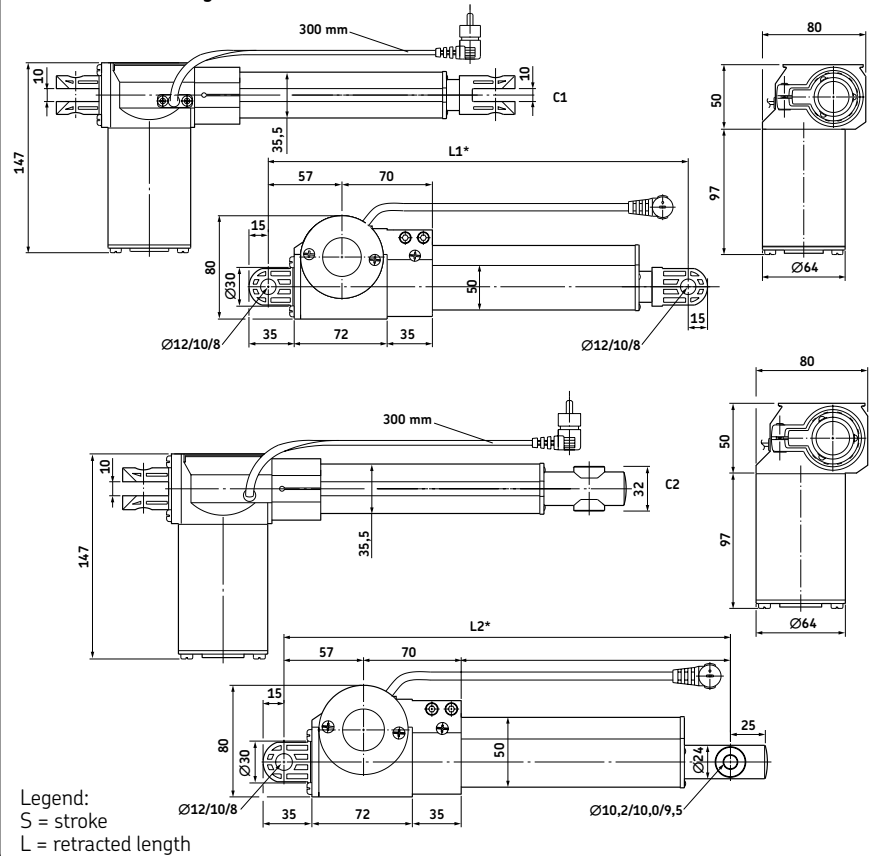
Suitable control units and accessories

Control unit	
	CB 2005
	FD
	HS 112
	HS 124
	HS 126
	HS 138

Connecting diagram



Dimensional drawing



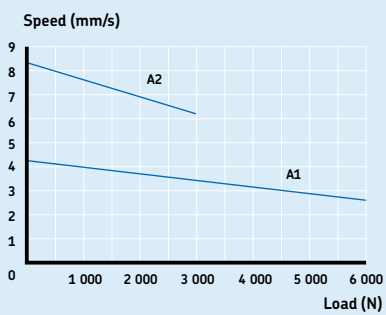
Stroke (mm)	50	100	150	200	250	300
Retracted length (L1)	250	300	360	410	470	520
Retracted length (L2)	210	260	320	370	430	480

Technical data

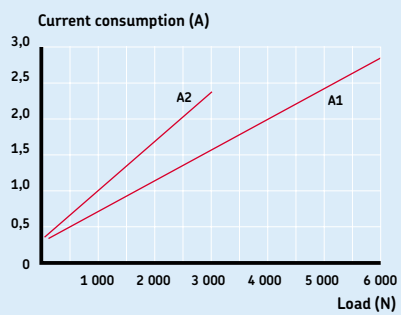
	Unit	FD A1	FD A2
Push load	N	6 000	3 000
Pull load	N	4 000	2 000
Speed (full load to no load)	mm/s	2,67 to 4,2	6,2 to 8,2
Stroke	mm	50 to 300	50 to 300
Retracted length	mm	—*	—*
Voltage	V DC	24	24
Power consumption	W	72	60
Current consumption	A	3	2,5
Duty cycle	%	10	10
Ambient temperature	°C	+10 to +40	+10 to +40
Type of protection	IP	52	52
Weight (at 300 mm stroke)	kg	2,5	2,5
Color	—	Black	Black

* See above table

Performance diagrams

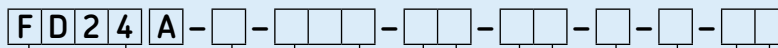


Speed-load diagram



Current-load diagram

Ordering key



Type

Load:

6 000 N
3 000 N

1
2

Stroke:

50 mm
100 mm
150 mm
200 mm
250 mm
300 mm

050
100
150
200
250
300
XXX

Other stroke lengths; 50 < S < 300 mm

Front attachment:

Plastic, Ø = 8,0, 10,0, or 12,0 mm
Metal, Ø = 9,5, 10,0 or 10,2 mm

C1
C2

Option 1:

Hall effect sensor (resolution pulses/mm; A1=10, A2=5)

HS

Option 2:

Connector for CB200S
No connector, open wires
Customized connector

0
N
C

Option 3 (front attachment):

Attachment type C1 Ø=12,0 mm; type C2 Ø=10,2 mm
Attachment type C1 and C2 Ø=10,0 mm
Attachment type C1 Ø=8,0 mm; type C2 Ø=9,5 mm

1
2
3

Customized cable length options:

Specify requested cable length in dm

XX

Options written in italic fonts are only available on demand. Please contact SKF.

