

Telescopic pillar

Telemag TLG

Benefits

- High bending load
- Powerful

Standards

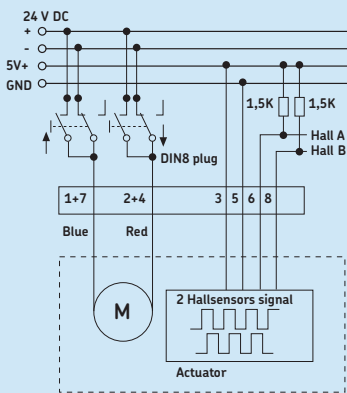
- EN/IEC 60601-1
- UL 60601-1



Suitable control units and accessories

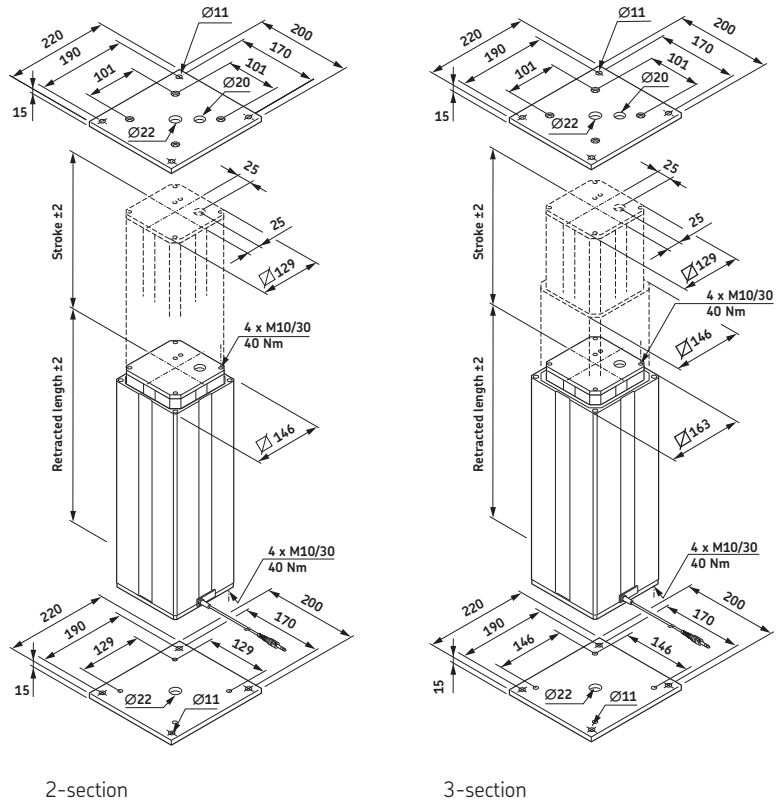
Control units		SCU 1	SCU 5	SCU 9	VCU 5	VCU 8	VCU 9	BCU 5	BCU 8	MCU
TLG		●	●	●	●	●	●	●	●	●
EHA1	Hand switch									●
EHA3	Hand switch	●	●	●	●	●	●	●	●	●
STF	Foot switch									●
STJ	Foot switch	●	●	●	●	●	●	●	●	●
STA	Desk switch									●
STE	Desk switch	●	●	●	●	●	●	●	●	●

Connecting diagram*



* Only valid with TLG11. TLG10 must be operated by a BCU, MCU, SCU or VCU control unit.

Dimensional drawing



Legend:
S = stroke
L = retracted length

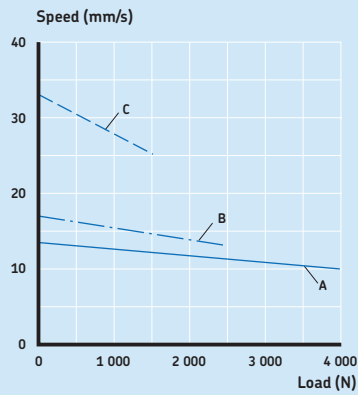
Note: mounting plates are not included.
To be ordered separately.

Technical data

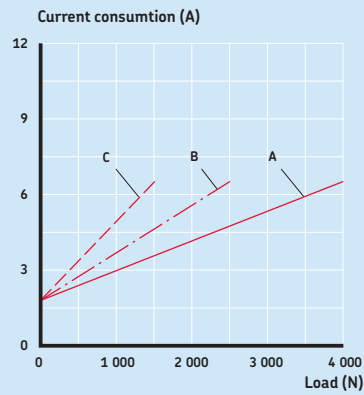
Unit	TLG 10/11-A	TLG 10-B	TLG 10/11-C
Rated push load	N	4 000	2 500
Rated pull load	N	0	0
Bending load	Nm	up to 2 800*	up to 1 750*
Speed (full load to no load)	mm/s	10 to 14	13 to 17
Telescopic pillar version	# of section	2 or 3-section	2 or 3-section
Stroke	mm	200 to 700	200 to 700
Retracted length	mm	S+180	S+180
Voltage	V DC	24	24
Power	W	156	156
Current	A	6,5	6,5
Duty cycle: intermittent operation	min.	1 min./9 min	1 min./9 min
Ambient temperature	°C	+10 to +40	+10 to +40
Type of protection	IP	30	30
Protection class	-	SELV	SELV
Type of control	-	electrical	electrical
Weight	kg	15 to 30	15 to 30

* For details, please see bending load diagrams

Performance diagrams

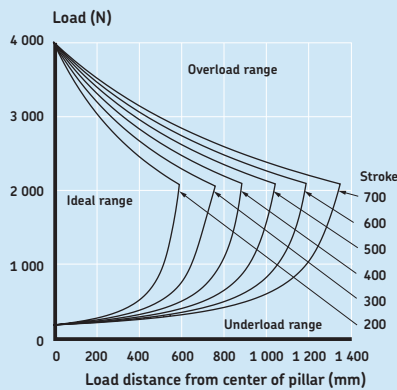


Speed-load diagram

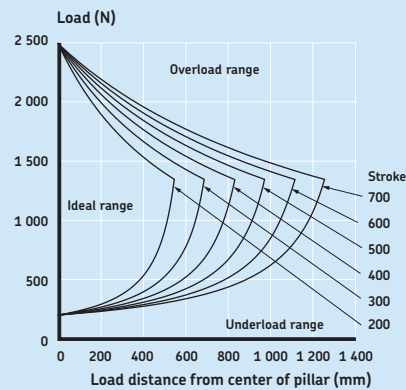


Current-load diagram

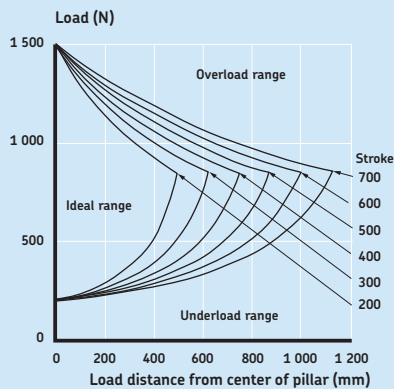
Bending load diagrams



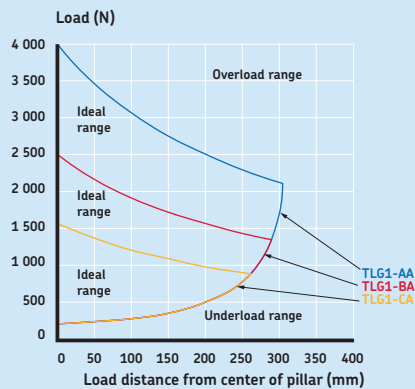
Bending load diagram TLG ...AD



Bending load diagram TLG ...BD



Bending load diagram TLG ...CD



Bending load diagram TLG...AA/BA/CA

Ordering key



Type

Voltage:

24 V DC
24 V DC with integrated current cut-off (only for 4000 N and 1500 N)

0
1

Load:

4 000 N
2 500 N
1 500 N

A
B
C

Tube set:

Tube set 2x
Tube set 3x

A
D

Stroke (S):

200 mm
300 mm
400 mm
500 mm
600 mm
700 mm

2
3
4
5
6
7

Cable / connecting plug:

Straight, 1,0 m / jack plug
Straight, 2,3 m / jack plug
Coiled, 0,6 m / jack plug
Straight, 1,0 m / DIN8 plug
Straight, 2,3 m / DIN8 plug
Coiled, 0,6 m / DIN8 plug

1
2
A
3
4
B

Option:

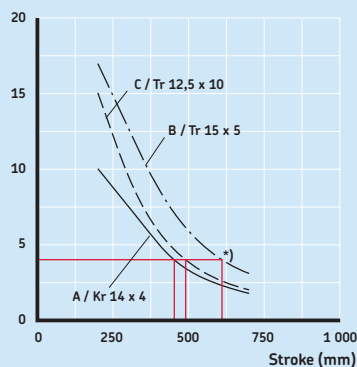
No option
1-Hall encoder, 8 pulses, cable with jack plug
Potentiometer, 1 kΩ, 2 Watt, 0,25 % linearity, 10 turns
Cable feedthrough, 5 × 0,75 mm², led out, top +160 mm, bottom +800 mm
Cable feedthrough, 1-Hall encoder
Cable feedthrough, potentiometer
2-Hall encoder, cable with DIN8 plug
Cable feedthrough, 2-Hall encoder, cable with DIN8 plug

0
A
B
C
D
E
F
G

Options written in italic fonts are only available on demand. Please contact SKF

Safety factor load conditions

Safety factor



* Safety factor = 4

Accessories

Description	Designation	Order N°
Top mounting plate for 2 × tube set	SPL-290268	M/0125624
Bottom mounting plate for 2 × tube set	SPL-290351	M/0125625
Top mounting plate for 3 × tube set	SPL-290268	M/0125624
Bottom mounting plate for 3 × tube set	SPL-290265	M/0125623
Screw (4/plate) for mounting plate	ZBE-510707	M/0125360

© SKF is a registered trademark of the SKF Group.

© SKF Group 2013

The contents of this publication are the copyright of the publisher and may not be reproduced (even extracts) unless prior written permission is granted. Every care has been taken to ensure the accuracy of the information contained in this publication but no liability can be accepted for any loss or damage whether direct, indirect or consequential arising out of the use of the information contained herein.

PUB MT/P8 14324 EN · December 2013

