

Telemag THG/TLG/TLT

Telescopic pillars



WARNING: Read this manual before installing, operating or maintaining this actuator. Failure to follow safety precautions and instructions could cause actuator failure and result in serious injury, death or property damage. Keep this manual nearby for future reference.

Contents

1 General information	3	6.3 Inspection prior to first operation	24
1.1 Information on this manual	3	6.4 Installation	24
1.2 Explanation of symbols	3	6.5 Connection to the control unit	30
1.3 Limitation of liability	4	6.5.1 Connection jack plug to control unit	31
1.4 Replacement parts	4	6.5.2 Connect DIN-8 plug to control unit	33
1.5 Warranty terms	5		
1.6 Customer service	5	7 Operation	34
2 Safety	6	7.1 Safety	34
2.1 Intended use	6	7.2 Turn on and off	35
2.2 Qualifications	7	7.3 Precautions prior to use	36
2.3 Basic risks	8	7.4 Normal operation	36
2.4 Safety devices	8	7.5 Precautions after use	36
2.5 Safeguard against restart	10	7.6 How to stop device in case of emergency	36
2.6 Changes and retooling of the pillar	10	7.6.1 Shut down the telescopic pillar	36
		7.6.2 Pull jack plug out of the KOM control unit	37
		7.6.3 Pull the DIN-8 plug out of the BCU/VCU/SCU control unit	39
3 Technical data	11	7.7 After use	40
3.1 Safety equipment	11	8 Maintenance	41
3.2 Operating conditions	11	8.1 Safety	41
3.3 Type label	12	8.2 Maintenance plan	42
4 Structure and function	13	8.3 Maintenance work	42
4.1 Telemag THG, TLG	13	8.3.1 Cleaning	42
4.2 Telemag TLT	14	8.3.2 Visual check of condition	43
4.3 Brief description	15	8.4 Actions after maintenance has been completed	43
4.4 Functional principle	15		
4.5 Connections	16	9 Malfunctions	44
4.6 Operating elements	17	9.1 Safety	44
4.7 Options	17	9.2 Troubleshooting chart	45
4.7.1 Impulse transmitter	17	9.3 Start of operation after error has been eliminated	46
4.7.2 Potentiometer	18		
4.7.3 Cable feed	18	10 Dismantling and disposal	47
4.8 Accessories	18	10.1 Safety	47
4.9 Danger zones	19	10.2 Dismantling	48
		10.2.1 Dismantling the telescopic pillar	48
5 Transport, packaging and storage	20	10.2.2 Pull the jack out of the KOM control unit	48
5.1 Safety information for the transport	20	10.2.3 Pull the DIN-8 plug out of the BCU/VCU/SCU control unit	50
5.2 Transport inspection	20	10.3 Disposal	52
5.3 Return to the manufacturer	21		
5.4 Packaging	21	11 Index	54
5.5 Symbols on the packaging	22		
5.6 Storage	22	12 Appendix	56
6 Installation and initial operational set-up	23		
6.1 Safety	23		
6.2 Installation position	24		

1 General information

1.1 Information on this manual

This manual provides information necessary for the proper and safe installation, operation, maintenance, dismantling and disposal of this pillar (also called device). It is an integral part of the equipment, and must be kept so that it is accessible to personnel.

Before doing anything with this device, personnel must read this manual thoroughly and understand its contents. Compliance with all specified safety instructions and operating instructions is vital for safe and proper use of this device.

In addition, national and local governmental accident prevention regulations and general safety instructions must be observed in the area where this device is being used.

Illustrations in this manual are intended to facilitate a basic understanding of these concepts and may differ from the actual design.

1.2 Explanation of symbols and signal words

Safety precautions

Safety precautions in this manual are identified by symbols and signal words. These signal words (shown to the right) indicates the severity of the hazard.

Adhere to these safety precautions and act cautiously in order to avoid accidents resulting in personal injuries and damage to the device and the equipment into which it has been installed.

Note!

Emphasizes useful hints and recommendations as well as information for efficient and trouble-free operation.

Notice

Emphasizes useful hints and recommendations as well as information for efficient and trouble-free operation.

CAUTION

Indicates a dangerous situation, which can lead to minor or moderate personal injury, if the precautionary measures are ignored.

WARNING

Indicates a dangerous situation, which can lead to serious personal injury or death, if the precautionary measures are ignored.

DANGER

Indicates a dangerous situation, which will lead to death or serious personal injury, if the precautionary measures are ignored.

1.3 Limitation of liability

All information and notes in this manual were compiled based on due consideration of valid standards and regulations, the present status of technology and our years of knowledge and experience.

The manufacturer will not be liable for damage to the device or equipment in which it is installed resulting from:

- disregarding this manual
- unintended use
- employment of untrained personnel
- unauthorized retooling
- unauthorized technical changes to device
- use of unapproved spare parts

When ordering options for custom models or from the latest technical changes, the actual delivered product may differ from the explanations and illustrations in this manual.

The obligations agreed to in the contract for delivery, the general terms and conditions of SKF and the manufacturer as well as the legal regulations which were in effect at the time the contract was entered into shall apply.

We reserve the right to make technical modifications in order to improve usability.

1.4 Replacement parts

The telescopic pillar is not designed for repair work by the owner/operator. All warranty and service claims are void if repairs are not performed by the manufacturer or another entity approved by the manufacturer.

WARNING

Risk of injury through the use of incorrect replacement parts

Installation or use of incorrect replacement parts may result in safety risks for personnel and may also cause damage, malfunction or complete failure of the drive.

Therefore:

- Defective original parts for the pillar must only be replaced by the manufacturer.

To have defective original parts replaced, the pillar must be uninstalled and sent to the manufacturer. The address is listed on the **cover back**.

1.5 Warranty terms

The warranty terms are included in the manufacturer's Terms and Conditions contained in the SKF sales contract that governs this sale.

1.6 Customer service

SKF Customer Service is always available to provide technical information and answer questions.

See the contact information for SKF Customer Service on the back cover.

In addition, our employees are always interested in acquiring new information and experience gained from practical application; such information and experience may help improve our products.

2 Safety

This section provides an overview of all the main safety aspects of installing, operating, and maintaining this device.

Failure to comply with the guidelines and safety instructions contained in this manual may result in serious hazards that could cause possible serious injury or death or damage to the device or equipment.

2.1 Intended use

The telescopic pillars – THG, TLG, and TLT – have been designed and built exclusively for the intended purposes as described below.

- These pillars are to be only used for a dynamic centric and off-center lift charged with pressure.
- These pillars have been especially designed for height adjustments of medical applications, computer work and assembly tables. Any other use of these pillars must be authorized by the manufacturer; see cover back for the address.
- These pillars are only suitable for indoor applications and may not be exposed to the outdoors, heavy UV radiation or dusty, corrosive or explosive environments.

Any use that extends beyond the intended use or a use different than the one described above is deemed misuse.

WARNING

Risk from misuse

Any utilization of this device beyond its intended purpose or a different use of this device may potentially lead to hazardous situations.

Any type of claims resulting from damage caused by misuse are excluded.

2.2 Qualifications

WARNING

Danger of injury if personnel are insufficiently qualified

If unqualified personnel install, operate, or maintain the device or are in the appliance's danger zone, hazards may arise which can cause serious injury and substantial damage to property.

This manual specifies the personnel qualifications required for the different areas of work, listed below:

Operator

The operator is part of the staff of the operating company and has been trained by the operating company. The operator is familiar with the regulations that apply at the operating site of the machine and has been informed about the hazards imposed by the entire system. The operator also has been verifiably trained by the operating company and based on this training he/she is able to safely

- operate the equipment,
- eliminate specific disruptions,
- carry out specific maintenance work.

Qualified electrician

Based on his technical training, knowledge, experience and knowledge of the applicable standards and regulations, the Qualified electrician is able to perform work on electrical systems and recognize and avoid potential hazards himself.

The qualified electrician is specially trained for the area of responsibility he is involved with and knows the relevant standards and regulations.

The qualified electrician must comply with the requirements of the applicable legal regulations for accident prevention.

Qualified personnel

Qualified personnel is able to carry out assigned work and to recognize and prevent possible dangers self-reliantly due to its professional training, knowledge and experience as well as profound knowledge of applicable regulations.

User

The user uses and operates the pillar for its intended purpose without other prior knowledge.

The workforce must only consist of persons who can be expected to carry out their work reliably. Persons with impaired reactions due to, for example, the consumption of drugs, alcohol, or medication are prohibited.

2.3 Basic risks

The following section specifies residual risks which may result from using the pillar and have been established by means of a risk assessment.

WARNING

Danger to life caused by electric current!

Touching conductive parts causes a direct danger to life. In addition, damage to insulations or individual components can cause danger to life.

Therefore:

- In the event of damage to insulation, switch off the power supply immediately and have the defective parts repaired.
- Work on the electric system must be carried out only by skilled electricians.
- De-energize the machine for all work on the electrical system.
- Before maintenance, cleaning or repair work, switch off the power supply and secure it against being switched on again while it is being worked on.
- Do not bridge fuses, or make them ineffective. When changing fuses, make sure you use the correct amperage.
- Keep moisture away from conductive parts. This can cause short circuit.

Electric current

WARNING

Risk of injury from moving parts

Moving parts may cause serious injuries.

Therefore:

- Do not reach into moving parts or touch moving parts during operation.

Moving parts

2.4 Safety devices

Integration with an emergency-stop required (for certain applications)

The pillar is intended for use within a complete system (lifting column plus control). It does not have its own operating control elements and does not have an independent emergency-stop function.

Install emergency stop functions for the pillar and integrate them into the safety chain of the complete system prior to operating the pillar.

The emergency stop function has to be connected in such a way that a disruption of the power supply or the activation of the power supply after a power disruption cannot cause a hazardous situation for persons and objects.

The emergency shut-off systems must always be freely accessible.

**Note!**

The manufacturer of the equipment specifies the applications in which the emergency stop systems must be installed.

The following safety devices are already installed:**THG/TLG/TLT**

The brake takes care of self-preservation in idle mode. The maximum self-preservation force of the brake in idle mode is the compressive or tensile force of the telescopic pillar. (Refer to technical data sheets in the appendix).

The THG 11, TLG 11 and TLT 11 telescopic pillars have an integrated over-current safety shut-off.

In its standard version, the device does not feature an over-current safety shut-off and must be shut off via an SKF control.

A screw nut converts the rotation of the gear unit into a linear motion. If the ball screw nut breaks, its function is taken over by the integrated back-up nut and the telescopic pillar can engage in a one-time movement against the load direction.

The following safety devices are incorporated into the separate control unit:

The standard version of the pillar does not feature any thermal fuse protection and can overheat and be damaged. In case of overheating, an SKF control unit with an integrated thermal switch will turn the device off.

**Notice****Damage from overheating**

Overheating of the telescopic pillar can cause damage. Using a control unit that is not recommended by SKF can result in overheating of the telescopic pillar.

Brake

Over-current safety shut-off

Back-up nut

Thermal fuse protection

2.5 Safeguard against restart

WARNING

Life-threatening situation through unauthorized restart!

For work in hazard zones, there is a risk that the power supply will be turned on without prior authorization. This presents a life-threatening situation for people in the hazard zone.

Therefore:

- Follow the information concerning safeguarding against restarting of the power supply in the chapters of this operating manual.
- Always follow the process to safeguard against a restart as described below.

To secure the telescopic pillar against unintentional restart:

- 1 Pull the power line plug of the control (connected to the telescopic pillar) out of the power outlet.

2.6 Changes and retooling of the pillar

To prevent hazardous situations and to ensure optimal output, changes, additions and retooling of the pillar must not be carried out unless explicitly authorized by SKF.

3 Technical data



Note!

Technical data (dimensions, weights, output, connection values etc.) can be found in the appendix.

3.1 Safety equipment



WARNING

Life-threatening situation due to malfunctioning safety equipment!

Safe operation is possible only if safety equipment is in good working order.

Therefore:

- Always check functionality of safety equipment according to the maintenance plan in section 8.2 of this manual.
- Never disengage safety equipment.
- Safety equipment may never be bypassed or modified.

3.2 Operating conditions

Environment

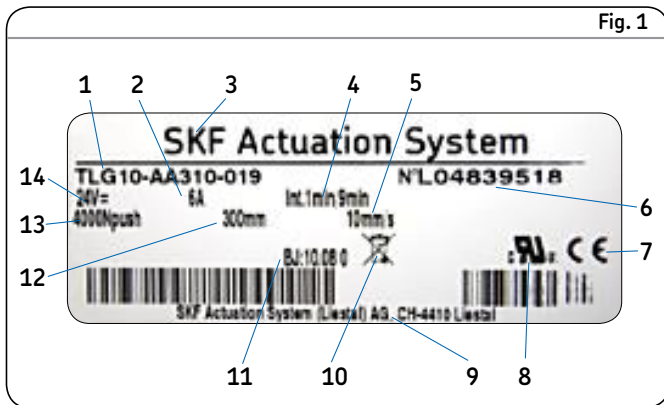
Information		Value	Unit
Temperature range	THG/TLG	+10 to +40	°C
	TLT	+10 to +40	°C
Relative atmospheric humidity, maximum (no build up of condensation)		up to 85	%

Duration (intermittent)

Information		Value	Unit
Maximum operating time without a break		1	Minutes
Break until next operation		9	Minutes

3.3 Type label

The type label contains the following information:



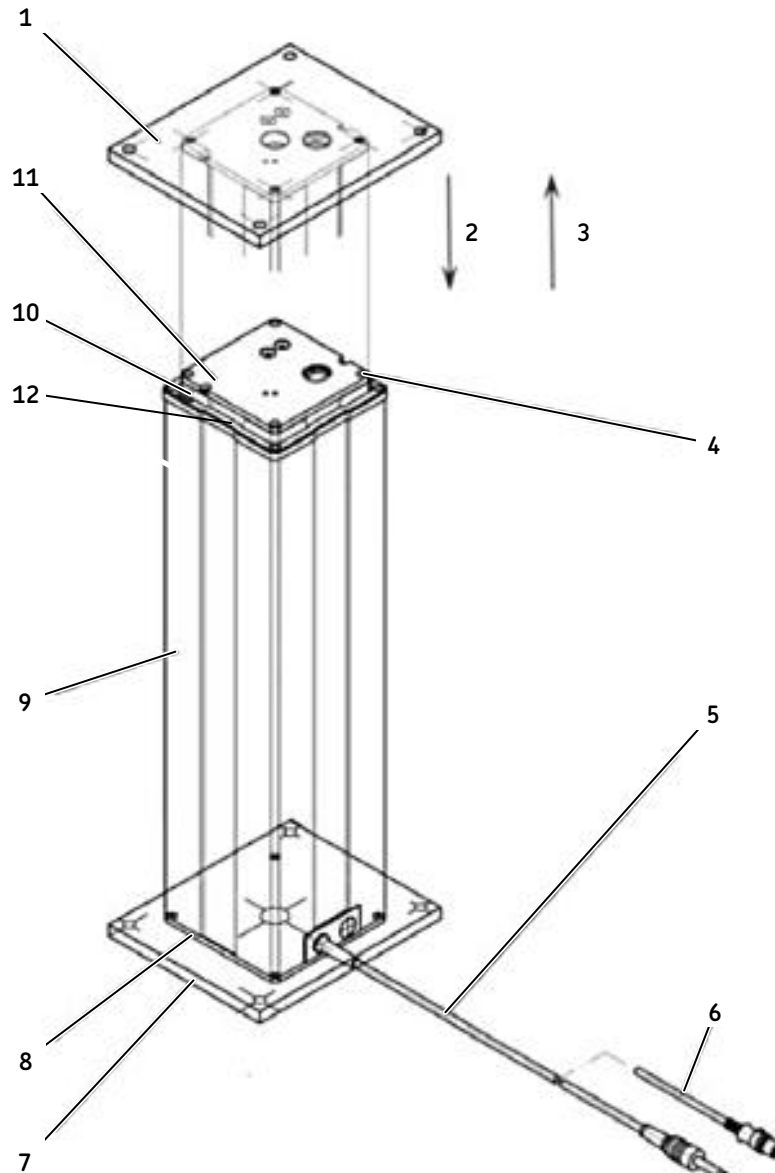
Type label (without options)

- 1 Type designation
- 2 Current consumption
- 3 Manufacturer
- 4 On-time
- 5 Speed of the telescopic pillar
- 6 Serial number
- 7 CE mark
- 8 UL quality mark
- 9 Manufacturer's address
- 10 Disposal information
- 11 Manufacturing date (month.year)
- 12 Maximum lift length
- 13 Compressive force
- 14 Voltage

4 Structure and function

4.1 Telemag THG, TLG

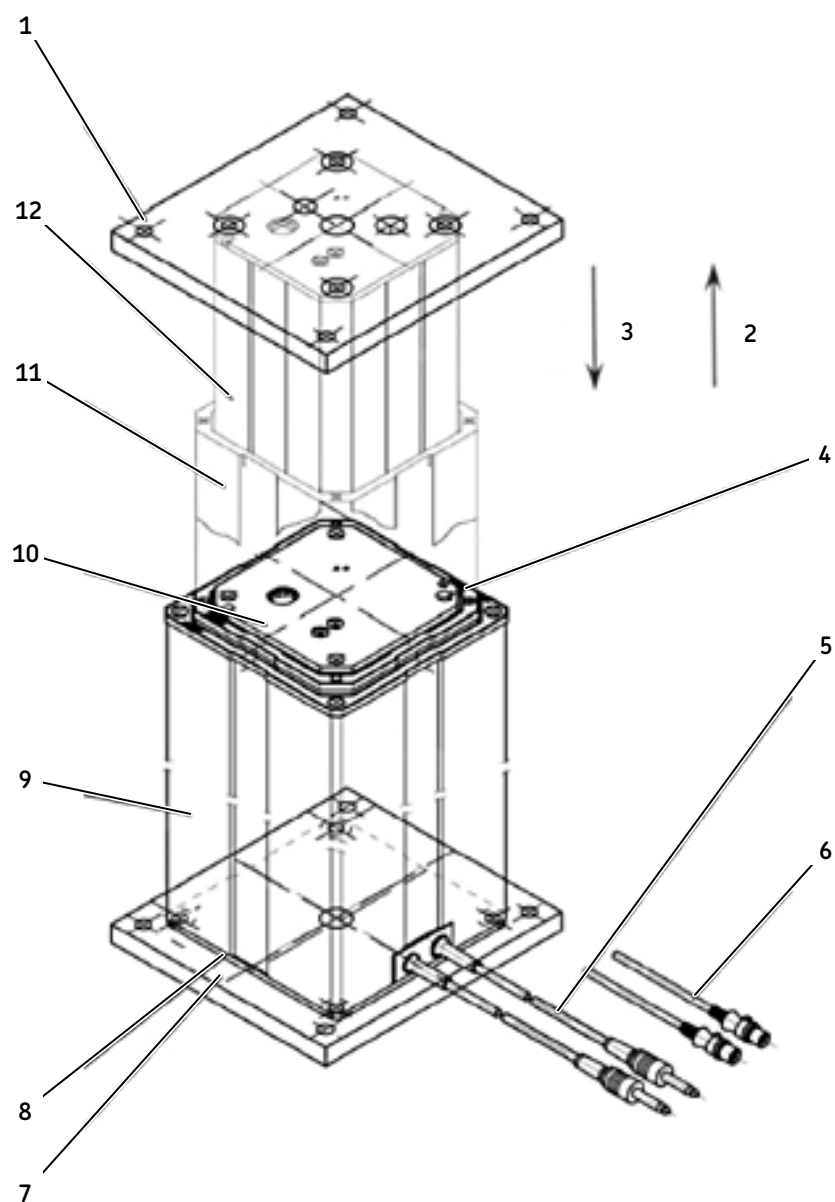
Fig. 2



- | | |
|--|-------------------------------------|
| 1 Upper attachment plate (optional) | 7 Lower attachment plate (optional) |
| 2 Direction of motion when retracting | 8 Lower base plate |
| 3 Direction of motion when extending | 9 Outer guide tube |
| 4 Transport screws | 10 Inner guide tube |
| 5 Jack plug connection cable | 11 Upper base plate |
| 6 DIN-8 plug connection cable (optional) | 12 Middle guide tube |

4.2 Telemag TLT

Fig. 3



- | | |
|--|-------------------------------------|
| 1 Upper attachment plate (optional) | 7 Lower attachment plate (optional) |
| 2 Direction of motion when extending | 8 Lower base plate |
| 3 Direction of motion when retracting | 9 Outer guide tube |
| 4 Transport screws | 10 Upper base plate |
| 5 Jack plug connection cable | 11 Middle guide tube |
| 6 DIN-8 plug connection cable (optional) | 12 Inner guide tube |

4.3 Brief description

The Telemag is an electric telescopic pillar with guiding tubes.

The pillar is used in a complete system and is used exclusively for dynamic centric compression- or eccentric compression-loaded lifting movements.

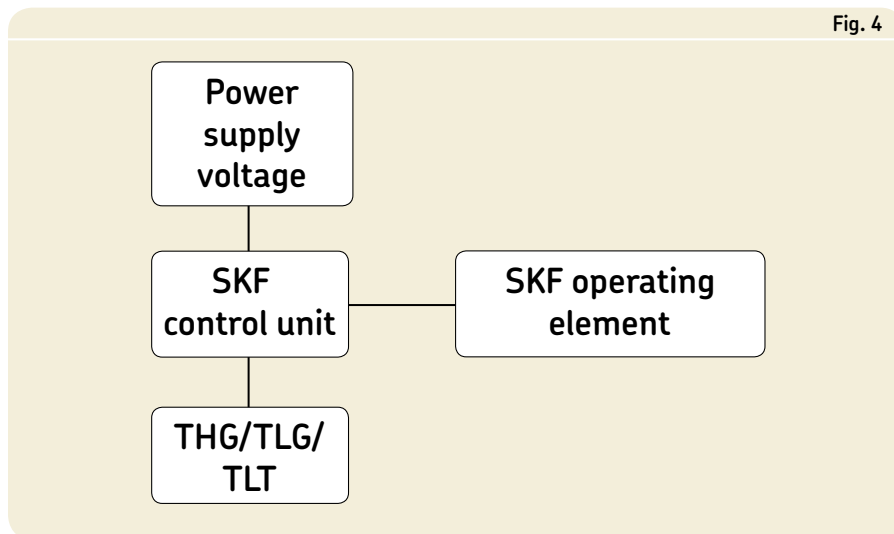
The telescopic pillar consists of two or three nested guide tubes which are extended and retracted by an integrated drive.

The guide slide bearings ensure extension and retraction even with off-centered loads.

Direct current motor with a worm gear drives a threaded spindle. A threaded nut, which is permanently connected to the actuator, runs up and down on the spindle and generates the feed motion. The slide tube is connected on the front side via the base plate to the guide tubes.

Extension or retraction of the telescopic tube occurs by changing the rotational direction of the motor. The thrust speed is dependant on the load.

4.4 Functional principle



System with control unit

The Telemag telescopic pillar requires an external control to power the motor unit. It is connected to the THG/TLG via a connecting cable and to the TLT via two connecting cables.

The main difference between the THG/TLG and TLT telescopic pillars is of the different sizes of the guide tube and the number of spindles (→ Chapter 3).

The magnitude of the load speed and transverse force determines the choice of drive motors and their power. This ultimately results in the deviations in the values for compressive forces and thrust speed as well as additional functions such as cable feedthroughs.

Compared to the Telemag THG and TLG telescopic pillars, two spindle systems in the TLT telescopic pillar produce double the thrust speed. There are two connection cables for two DC motors permanently installed on the TLT telescopic pillar.

THG/TLG

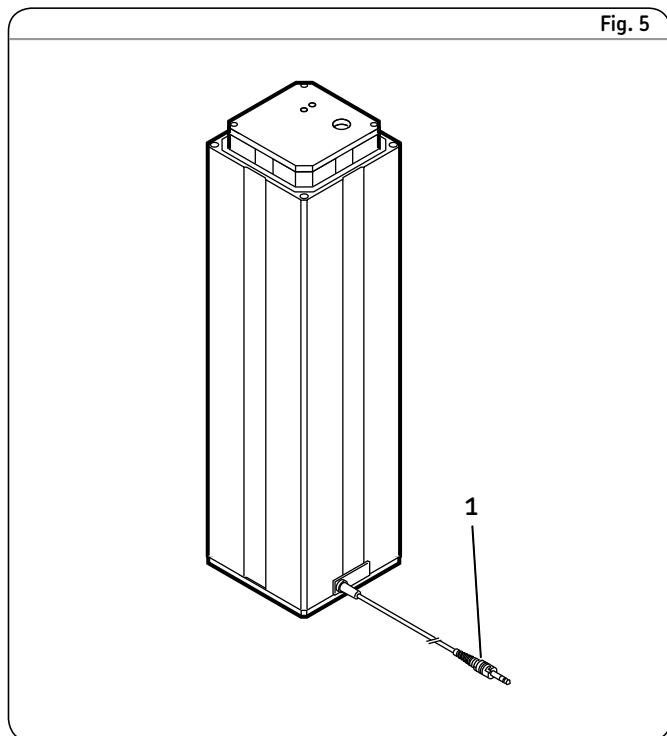
TLT



Note!

Additional differences between the THG, TLG and TLT telescopic pillars are found in the sections on connections and data sheets in the Appendix.

4.5 Connections



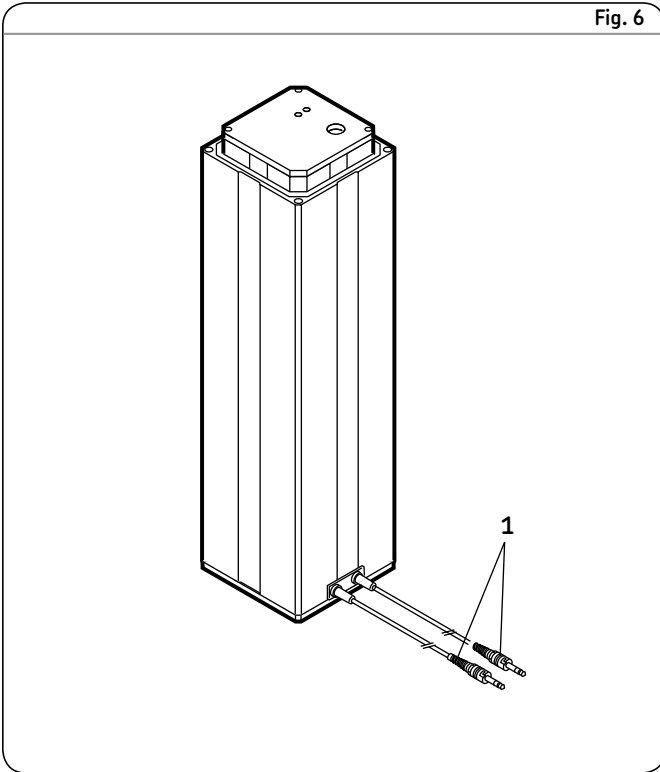
THG/TLG connections

THG/TLG One low voltage plug (1) connect the device to the power supply via an external SKF control.

1 Connections to an external control (jack or DIN-8 plug)..

Fig. 6

TLT connections



TLT Two low voltage plugs (1) connect the device to the power supply via an external SKF control.

1 Two connections to an external control (jack or DIN-8 plug)..

4.6 Operating elements



Note!

The pillar does not feature its own operating elements. The operation takes place via a SKF operating element on an external SKF control unit (→ *Separate operating instructions*).

4.7 Options

The options listed below are available for the entire THG, TLG and TLT telescopic pillar model series if not indicated otherwise. Impulse transmitter

4.7.1 Impulse transmitter

The impulse transmitter picks up impulses from a ring magnet via the Hall sensor. The ring magnet is attached to the motor gear. The control calculates the position or lift of the extended drive from the number of impulses.

This results in the possibility of the telescopic pillar's drive extending or retracting to one or more defined positions.

THG/TLG/TLT

4.7.2 Potentiometer

Alternatively, the drive can be extended or retracted to one or more defined positions via a potentiometer. This option is only possible for the THG telescopic pillar with the triple guide tube set. There are no limitations for the TLG telescopic pillar so the potentiometer is available in the double or tripe guide set.

THG/TLG

4.7.3 Cable feed

With all models, you have the option to feed the power supply voltage through the telescopic pillar via a cable feed.

THG/TLG/TLT



Note!

For the THG telescopic pillar with potentiometer, the triple guide tube set must be used (→ *Chapter 4.7.2*).

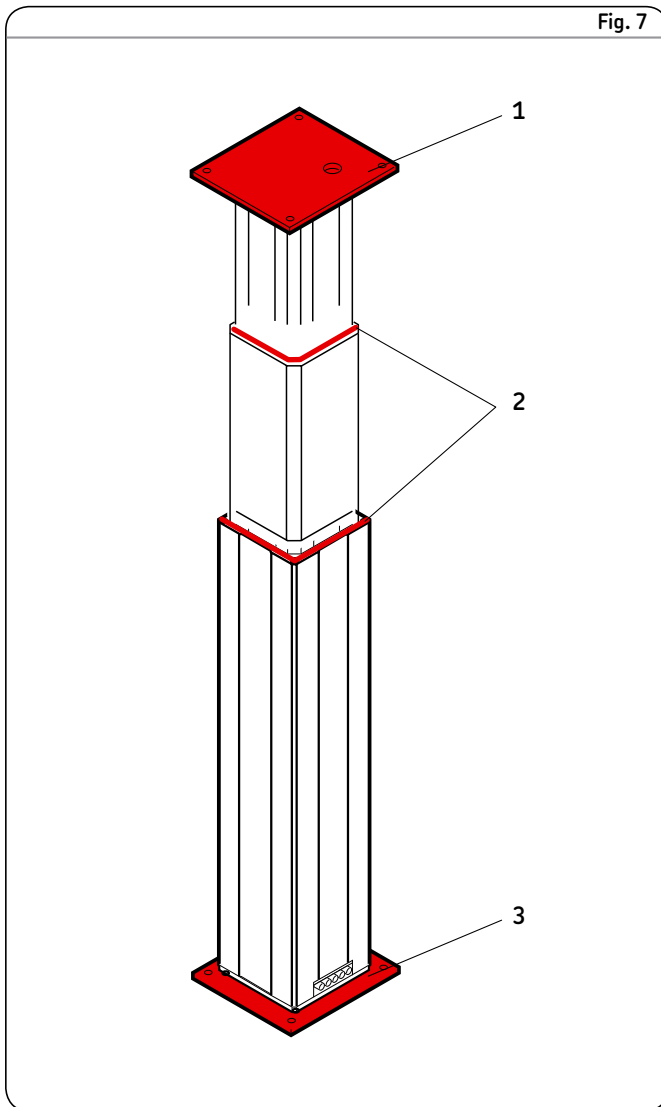
4.8 Accessories

Accessories	Model series	Note
SKF control	THG, TLG, TLT	See the separate operating manual
SKF operating element	THG, TLG, TLT	See the separate operating manual
Attachment plates	THG, TLG, TLT	Use for complete transfer of force in the application to the Telemag telescopic pillar
Attachment screws	THG, TLG, TLT	Use for attaching the attachment plates on the base plates of the Telemag telescopic pillar

4.9 Danger zones

The following areas are dangerous:

- between the tube ends (2) and mounting plate (1) in the completely retracted position.
- entire lift area between (1) and (3)



Danger zones

5 Transport, packaging and storage

5.1 Safety instructions for transport

CAUTION

Material damage due to improper transport

Improper transport may cause transported items to fall down or topple over. This may cause costly material damage.

Therefore:

- Proceed carefully during the unloading of the packaged items during delivery as well as during the transport to its final destination. And comply with the symbols and information shown on the packaging.
- Only remove device from packaging right before installation.
- Note terms and conditions for storage for any return transport to the manufacturer (→ *Chapter 5.6*).

Improper transport

5.2 Transport inspection

The pillar is delivered as one unit in a box or packed on pallets. Immediately upon receipt, the shipment is to be checked for completeness and transport damage.

Check scope of delivering

The scope of delivery of the pillar consists of the following:

- The complete telescopic pillar of the Telemag series (THG, TLG, or TLT).
- Attached cable and low-voltage plug (depending on the version with jack or DIN-8 plug).
- Accessories (optional).

Check shipment for transport damage

- 1 Unpack upon receipt.
- 2 Check connection socket for damage.
- 3 Check the telescopic pillar for damage, dents and scratches.

In case of visible exterior transport damage, proceed as follows:

- 1 Do not accept delivery or only with reservations.
- 2 Record scope of damage on the transport documents or on the bill of delivery of the shipping company.
- 3 Initiate claim.

**Note!**

Report any damage as soon as it has been recognized. Damage claims may only be exercised within the carriers' claims periods.

5.3 Return shipment to the manufacturer

Proceed as follows for any return shipment:

- 1 Uninstall the pillar if necessary (→ *Chapter 10, Dismantling*).
- 2 Pack the pillar in its original packaging. Follow storage conditions (→ *Section 5.6 of this chapter*).
- 3 Send pillar to manufacturer. The address is listed on the back cover of this manual.

5.4 Packaging

For packaging

The individual packaged pieces have been packaged appropriately for the expected transport conditions. Only environmentally-friendly materials were used for the packaging.

The packaging is supposed to protect the individual components from transport damage, corrosion and other damage prior to installation. Therefore, do not destroy the packaging and only remove the device shortly prior to installation. Keep package for potential return shipment to the manufacturer (→ *Chapter 5.3 "Return shipment to the manufacturer"*).

When you dispose of packaging material, do so in accordance with the relevant legal requirements and local regulations.

CAUTION

Incorrect disposal can damage environment

Packaging materials are valuable raw materials and in many cases can continue to be used or can be properly processed and recycled. Incorrect disposal of packaging materials may pose risks to the environment.





Therefore:

- Dispose of packaging materials in accordance with the environmental regulations.
- Observe locally applicable waste disposal regulations. If necessary, outsource the disposal to a licensed disposal company.

Handling of packaging materials

5.5 Symbols on the packaging

The following symbols have been placed on the packaging.
Always adhere to the message in the symbols during transport.
Do not store outside.

Symbol	Explanation
Top 	The arrow tips on the sign mark the top of the package. They must always point upwards; otherwise the content could be damaged
Fragile 	Marks packages with fragile or sensitive contents. Handle the package with care; do not allow to fall and do not expose to impacts
Protect against moisture 	Protect packages against moisture and keep dry.
Component sensitive to electrostatic charge 	The packing contains components which are sensitive to an electrostatic charge. Only allow packaging to be opened by trained personnel. Establish potential equalisation before opening.

5.6 Storage

Store packaging pursuant to the following conditions:

- Do not store outside.
- Store in dry and dust free place.
- Protect from sunlight.
- Avoid mechanical vibrations.
- Storage temperature: -20 to +40 °C.
- Relative humidity: max. 85 % (prevents build up of condensation).
- For storage longer than 3 months, check the general condition of all parts in the packaging on a regular basis. If necessary, refresh or renew the conservation.



Note!

Comply with additional requirements set forth on the packaging concerning storage.

6 Installation and initial operational set-up

6.1 Safety

WARNING

Life-threatening danger due to electric shock or electrocution and crush hazard!

There is a life-threatening hazard when touching live components. Also, live electrical components can move unexpectedly and can cause serious injuries.

Therefore:

- Prior to starting work, switch off the power supply and safeguard it from being re-started.



Electrical equipment

WARNING

Life-threatening danger if restarted without authorization!

When correcting faults, there is danger of the energy supply being switched on without authorization. This poses a life-threatening hazard for persons in the danger zone.

Therefore:

- Prior to starting work, switch off the power supply and safeguard it from being switched on again.



Safeguarding against restart

6.2 Installation location

- Take note of the operating conditions (→ *Section 3.2*).
- The device must not be exposed to strong UV radiation nor to corrosive or explosive media in the air nor to other aggressive media.

6.3 Inspection prior to first operation

- To be performed by qualified personnel

Prior to the first operation, the following tests and readings have to be performed and documented:

- Check visual condition (→ *Chapter 8.3.2*).
- Function check of operating features and safety features.



Note!

Additional information concerning inspections and readings (→ *Chapter 8*).

6.4 Installation

- To be performed by qualified personnel

WARNING

Risk of injury and property damage due to manipulation of the screws on the device

Manipulation or loosening the screws on the pillar or on the options can cause injuries and damage during operation.

Therefore:

- Never loosen screws on the device (except transport screws, see next page).

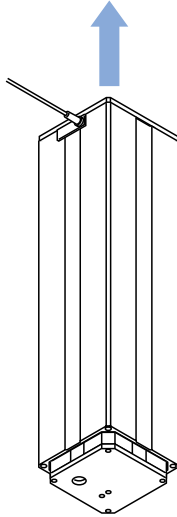
The telescopic pillar is attached to the SKF attachment plates (accessories) or to plates supplied by the customer on the application.



Note!

When using your own attachment plates, install them according to the technical data sheets (→ *Appendix*).

Fig. 8



Alignment of the pillar (mounting position
180 °C turned permitted)



Notice

Damage due to penetrating liquids

Liquids which get on the guide tube can damage the pillar.
Therefore:

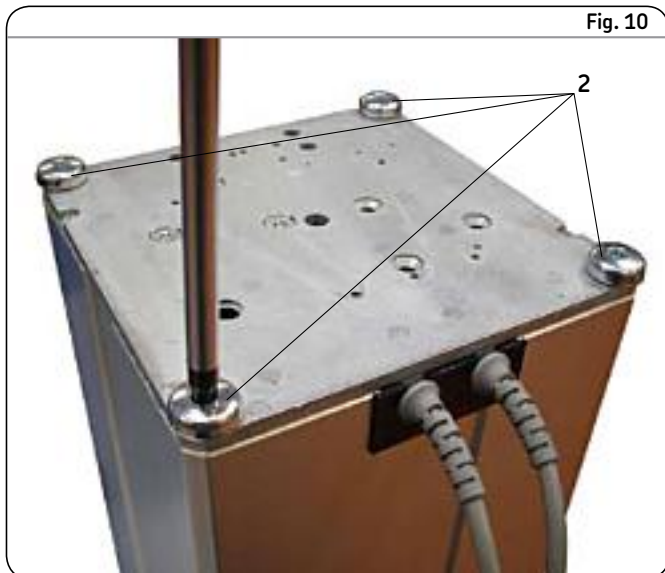
- Locate the appliance so that the device will not be exposed to liquids.
- Align the pillar during installation (→ **fig. 9**) so that liquid which gets in the guide tube cannot get into the inner guide tube.

1 Loosen and remove the four transport screws at the top (1).

Fig. 9



- 2 Loosen and remove the four transport screws at the bottom (2).



! Notice
Malfunctions due to scratching!

Scratching the side surfaces of the tubes can lead to malfunctions during operation.

Therefore:

- During installation, ensure that the tube side surfaces are not scratched.

! WARNING

Risk of injury and property damage due to insufficient fastening!

Inadequate attachment can cause the base plates (3) and (6) to break and lead to serious injuries or damage.

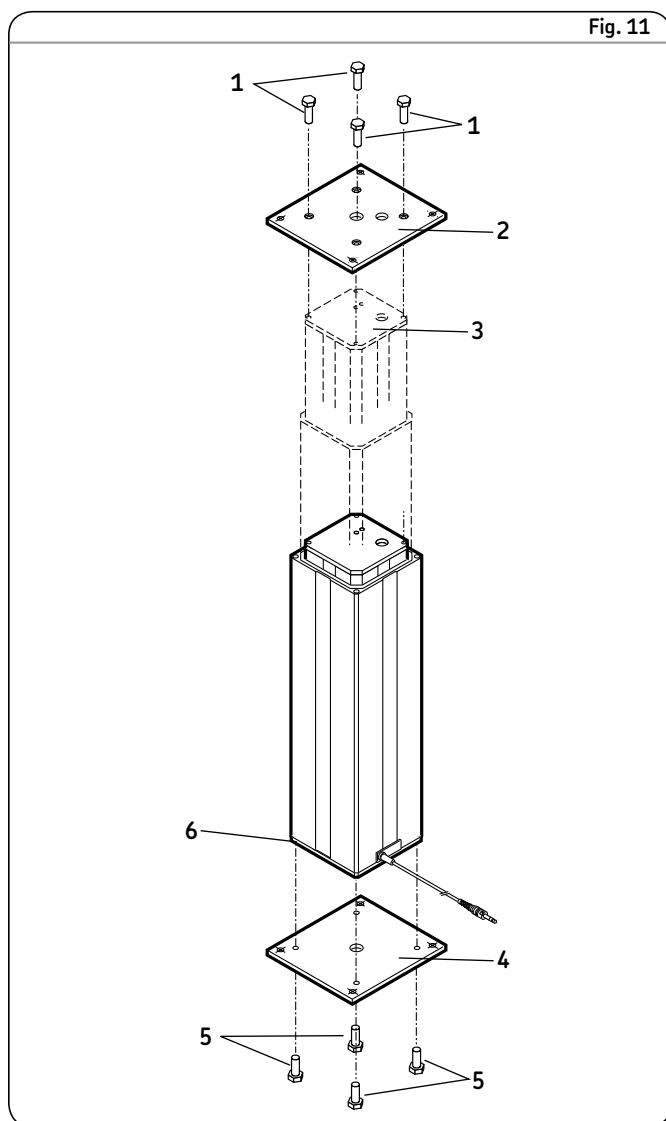
Therefore:

- Use only the specified screws for mounting.
- When using attachment plates supplied by the customer, ensure that the base plates are always supported completely and the force is borne by the entire surface.
- Ensure that the steel or aluminum attachment plates supplied by the customer are at least 10 mm thick.

- 3 Attach the lower attachment plate (4) with four screws (5) on the outer guide tube or the lower base plate (6) using the specifications below.

Use the following screws for mounting:

Type	THG	TLG/TLT
Screws (1), (5)	M6 (4 pc.x 2)	M10 (4 pc.x 2)
Minimum screw-in depth	22 mm	25 mm
Strength category	10,9	10,9
Tightening torque	9 Nm	40 Nm



Attaching the telescopic pillar

- 4 Ensure that the minimum screw-in depth and screw tightening torques are complied with (→ Above table).
- 5 Attach the upper attachment plate (2) with four screws (1) on the inner guide tube.
- 6 Ensure that the minimum screw-in and screw tightening torques are complied with (→ Above table).
- 7 Connect attachment plate (4) and (2) and elements of the application with attachment screws.

 **WARNING**

Risk of injury and material damage due to excessive load!

Overloading the pillar can destroy the device which can lead to serious injuries or property damage.

Therefore:

- With excentric loads, take note of the load diagram (→ *technical data sheets in the appendix*) or contact the manufacturer.

 **WARNING**

Risk of injury from moving parts!

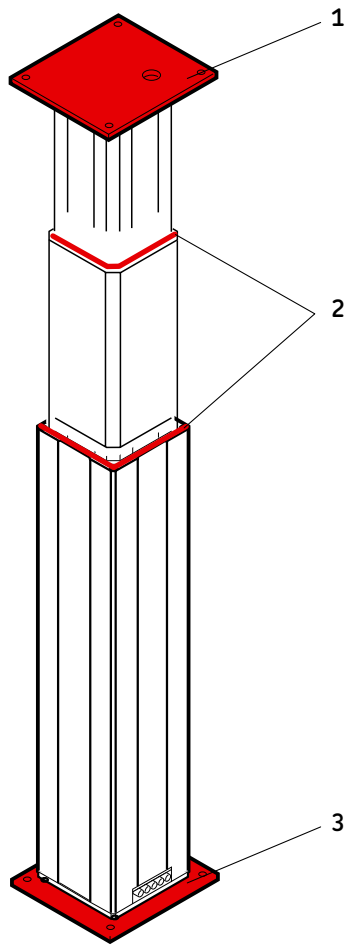
While driving onto solid objects, the force of the device may cause injuries. In the retracted end position, there is a risk of crushing between parts of the pillar.

Therefore:

- When retracting, ensure that no objects or body parts can be caught between the attachment plate (1) of the inner tube and the outer tube (2).
- When retracting, ensure that no objects or body parts can be caught between the attachment plates (1) and (3).
- If there is a risk of injury, depending on the installation location, a mechanical safety device must be installed.

- 8 Ensure that the telescopic pillar is not hindered in its movement anywhere in the lift area. Consider collision tests of the application.
- 9 When retracting, ensure that no objects or body parts can be caught between the attachment plate (1) of the inner tube and the outer tube (2) (fig 13).
- 10 Ensure that the motor cable cannot be crushed, pinched or pulled.
- 11 Connect the telescopic pillar to the control (→ Chapter 6.3).
- 12 Connect the operating element to the control (→ *Separate operating manual*).

Fig. 12



⚠ WARNING

Risk of injury from use of an operating element not approved by the manufacturer!

The use of a third party operating element may lead to serious injuries or material damage. The manufacturer disclaims any liability for damage or injury that may be caused in conjunction with the use of a third-party operating element.

Therefore:

- Only use the SKF operating element.

- 13 Connect the control to the power supply (→ *Separate operating manual for the control*).
- 14 Ensure that the power plug of the control is accessible at all times.
- 15 Ensure that none of the supply or control cables can be pinched by motions of the application or by the telescopic pillar during the extension or retraction.
- 16 Ensure that the installation requirements for options have been met.
- 17 Extend the pillar (**fig. 14**).
- 18 Check all guidance surfaces (1) and (2) of the profile tube for damage, dents and scratches.



6.5 Connection to the control unit

All control units not approved by SKF AG for the telescopic devices are third party controls.

Notice

Material damage due to third-party control!

The use of a third-party control may lead to material damage. If a third-party control unit is used, the manufacturer does not assume any liability for damage that may be caused.

Therefore:

- Only use SKF control units.
- If you must use a third-party control unit, please contact SKF.

**Note!**

A low-voltage plug connects the device to an external control unit. Comply with instructions in the operating manual of the SKF Control unit during the connection process.

Depending on the version, the low-voltage plug has been fitted with a jack or DIN-8 plug.

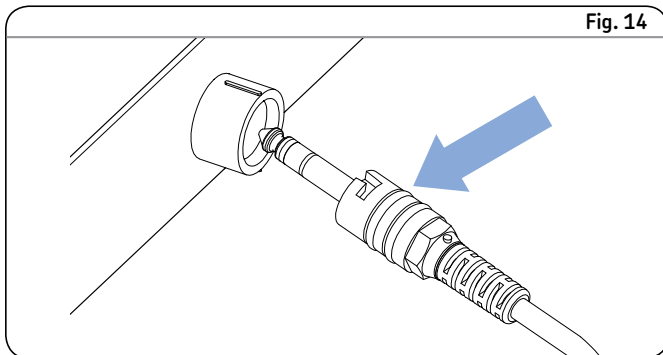
6.5.1 Connect jack plug to control unit

- Special tools required:
 - Special tool from the manufacturer (part no. 0100609)

- 1 Check the sealing ring of the jack plug (arrow) and the plug for damage.

**Note!**

Damaged sealing rings and twisted plugs may no longer provide protection pursuant to IPX6S. They have to be replaced by SKF (→ Chapter 5).



- 2 Lightly lubricate sealing ring with Klübersynth VR 69-252 (part no. 0118037).

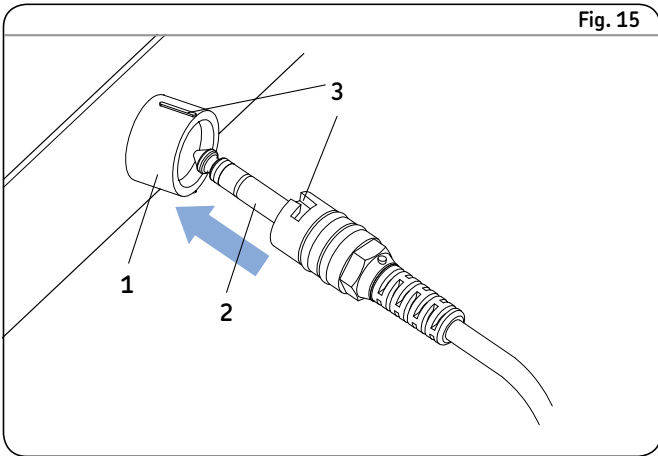
**Notice****Damage due to wrong lubricants!**

The use of incorrect lubricants may cause significant material damage.

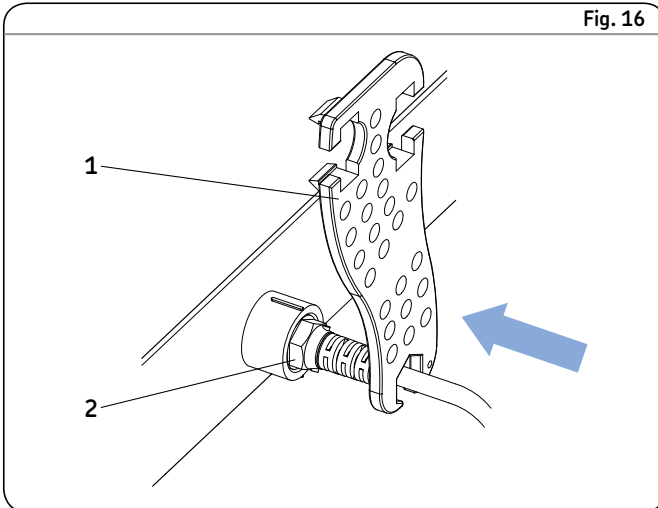
Therefore:

- Only use the lubricants authorized by SKF.

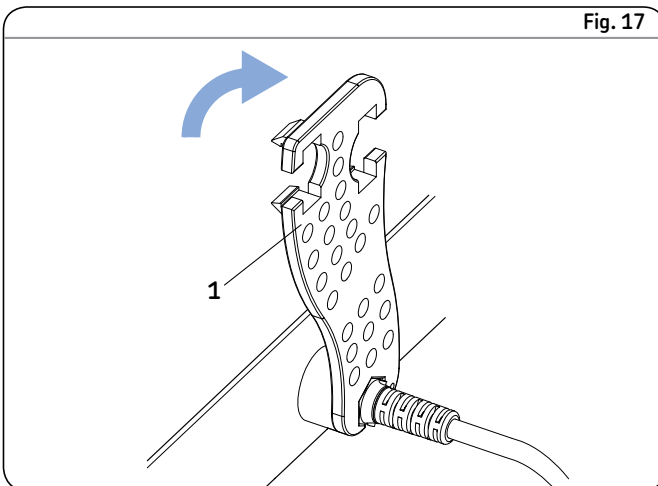
- 3 Insert jack plug with bayonet joint (2) into the connecting socket (1) of the control unit. Ensure correct positioning of the groove (3).



- 4 Insert special tool (1) in the nut (2) of the jack plug.



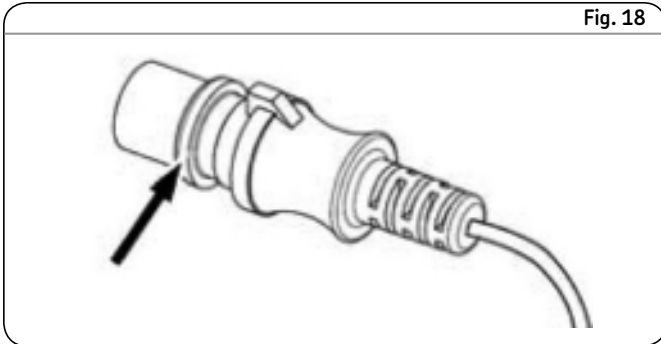
- 5 Turn special tool (1) clockwise until the bayonet joint of the jack plug is locked.



6.5.2 Connect DIN-8 plug to control unit

The insertion position is dictated by the geometric shape of the plug. The strain relief for this system is provided via attached components of the SKF control unit's casing.

- 1 Check the sealing ring of the DIN-8 plug (arrow) and the plug for damage.



Note!

Damaged sealing rings and twisted plugs can no longer provide protection pursuant to IPX6S. They have to be replaced by the manufacturer (→ Chapter 5.1.).

- 2 Lightly lubricate sealing ring (arrow) with Klübersynth VR 69-252 (part no. 0118037).



Notice

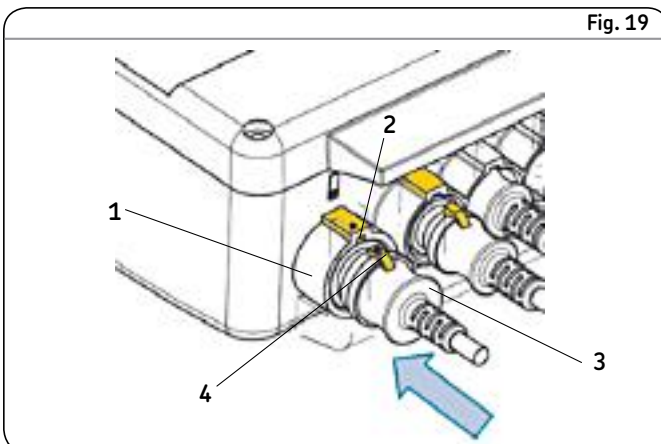
Damage due to wrong lubricants!

The use of incorrect additives may cause significant material damage.

Therefore:

- Only use the auxiliary products listed by the manufacturer.

- 3 Insert DIN-8 plug (3) into the connecting socket (1) of the control unit. Ensure correct positioning of the groove (2) and the lug (4).



Connection, BCU control in this example

7 Operation

7.1 Safety

WARNING

Danger of injury from improper operation

Improper operation can result in serious injury and significant damage to property.

Therefore:

- Carry out all operating steps in accordance with the specifications and instructions in this manual and in manuals for options.
- Before operating, ensure that
 - all covers and safety devices are installed and functioning properly.
 - no persons are in the danger zone.
- Never disable or bypass safety devices during operation.

Improper operation

WARNING

Danger of injury from moving parts

Rotating parts and/or parts moving in linear fashion may cause serious injuries.

Therefore:

- During operation, do not reach into or touch moving parts.
- Do not open covers during operation.
- Before opening the covers, make sure that all parts have stopped moving.
- When in the danger zone, wear close-fitting protective work clothing with low tear strength.

Moving parts



Notice

Damage due to static and dynamic overload of the pillar

Static and dynamic overload may damage the device and lead to its failure.

Therefore:

- Adhere to maximum permissible operating data for the pillar (→ *Appendix A “Technical data” on page 48*).
- Never exceed nominal load.
- Never tamper with the elements connected to the pillar while it is in operation.
- Ensure that there are no objects in the lift area of the pillar while it is in operation.



Notice

Damage due to penetrating liquids

- Ensure that no liquids touch the inner guide tubes.



Notice

Material damage through overheating

An overheating of the pillar can cause damage.

Therefore:

- Only use a control unit with an integrated thermal switch.
- Never exceed nominal load.
- Always adhere to idle and operating periods in manual (→ *Chapter 3.1 “Operating conditions” on page 11*).

7.2 Turn on and off



Note!

The device does not feature its own operating elements. A separate operating element is used to turn the device on and off (→ *element's operating manual*) (→ *separate operating manual*).

7.3 Precautions prior to use

- 1 User must ensure that there are no persons or objects in the lift area of the pillar
- 2 Ensure that the pillar is not dirty



Notice

Damage due to contamination

Contamination of the device can cause serious damage.

Therefore:

- Clean dirty parts immediately (→ *Chapter 8.3.1 "Cleaning" on page 38*).

7.4 Normal operation



Note!

The device does not feature its own operating elements.

The operation takes place via a separated operating element (→ *separate operating manual*).

7.5 Precaution after use

Disconnect device from power supply or turn off entire system control (→ *separate manual*).

7.6 How to stop device in case of emergency

In hazardous situations, all movements of the device must be stopped as quickly as possible and the power supply must be turned off. Follow stopping procedures below.

7.6.1 Shut down the telescopic pillar

- 1 Immediately engage emergency shut-off, if present.
- 2 Pull the power line plug of the control unit out of the power outlet
- 3 Pull the low-voltage plug (Jack plug or DIN-8 plug) of the cable of the device out of the connecting socket of control unit (→ *Chapter 7.5.2 and 7.5.3*).
- 4 Evacuate people from the hazard zone, initiate first aid measures.
- 5 Notify doctor and fire department, if necessary.
- 6 Notify responsible person on-site.
- 7 Keep access paths open for rescue vehicles.
- 8 Based on severity of emergency, notify the authorities if necessary.
- 9 Order specialized staff to repair malfunction.
- 10 Check the device and application that uses the device prior to restarting the operation and ensure that all safety equipment is installed and fully functional. and that there are no persons in the hazard zone.

⚠ WARNING

Life-threatening situation due to premature restart!

A premature restart may present a life-threatening situation for all persons in the hazard zone.

Therefore:

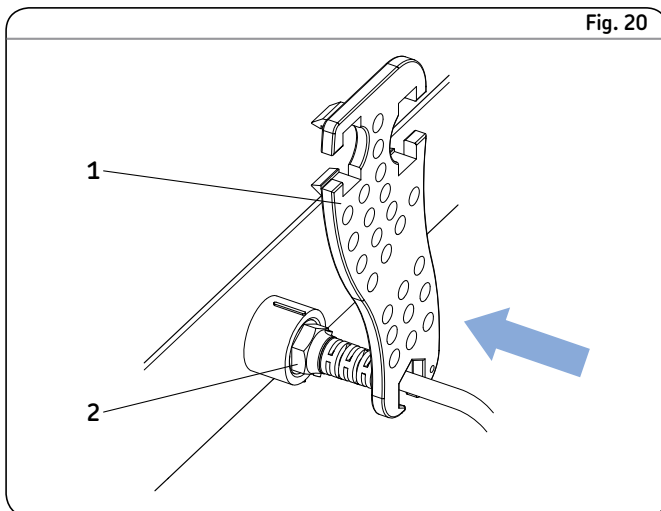
- Ensure prior to the restart that there are no persons in the hazard zone.

7.6.2 Pull jack plug out of the KOM control unit

Proceed as follows to pull jack plug out of the connection outlet of the control unit:

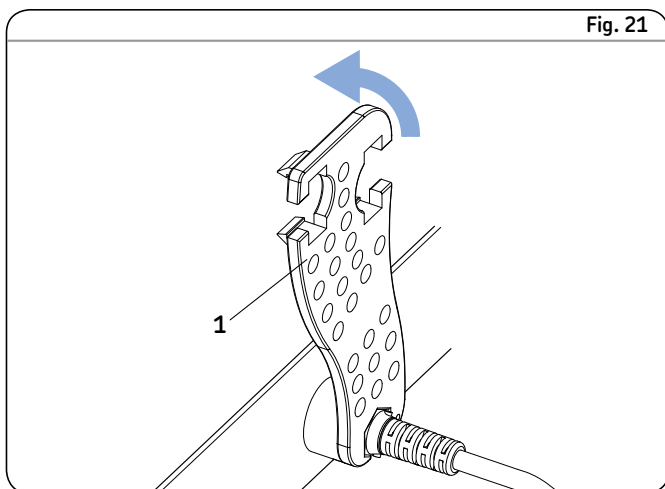
- Special tools required:
 - Special tool from the manufacturer (part no. 0100609)

1 Insert special tool **(1)** in the groove **(2)** of the jack plug.

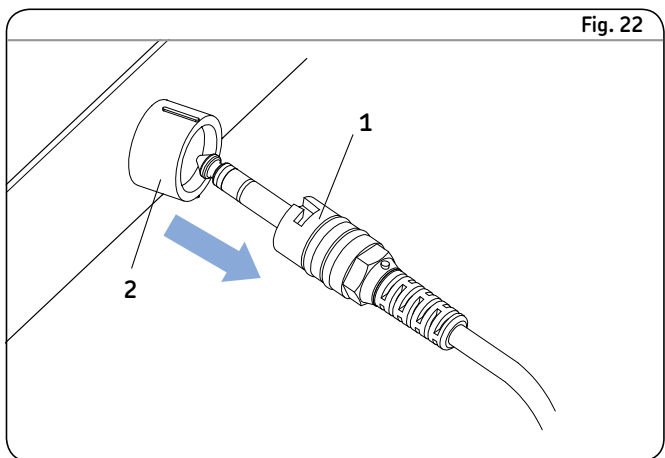


Connection, KOM control in this example

- 2 Turn special key (1) counter-clockwise until the bayonet joint of the jack plug is unlocked.



- 3 Pull jack plug (1) out of the connection outlet (2) of the control unit (arrow).

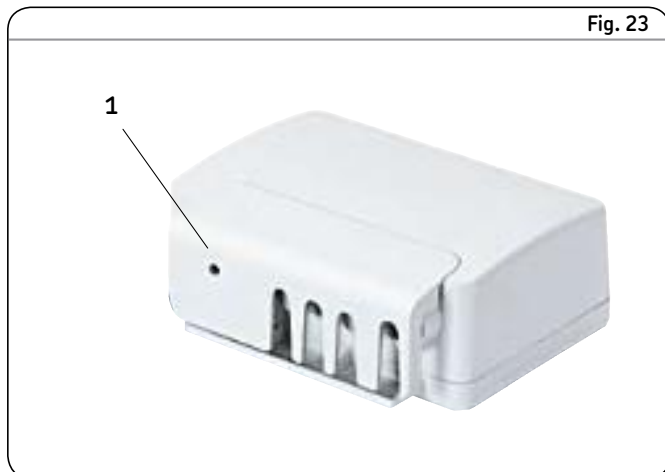


7.6.3 Pull the DIN-8 plug out of the BCU/VCU/SCU control unit

BCU control

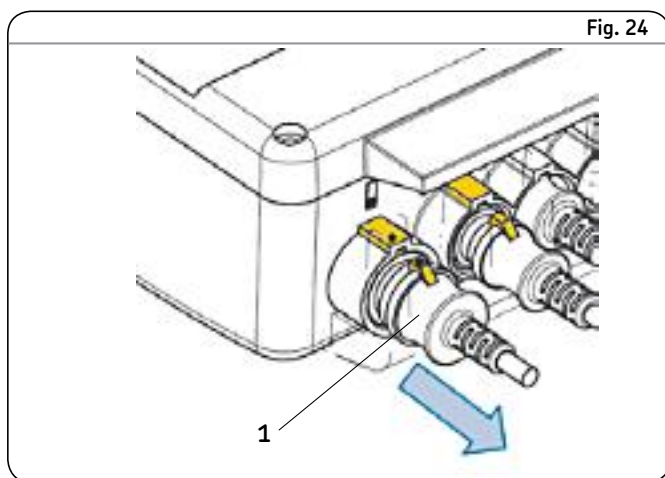
Proceed as follows to pull DIN-8 plug out of the connection socket of the control unit:

- 1 Lift up the cover (1) and remove it:



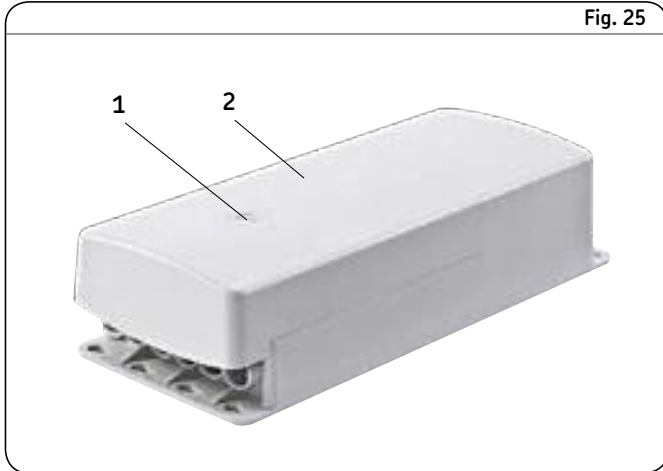
BCU control

- 2 Hold the control firmly and pull the DIN-8 plug (1) out of it.

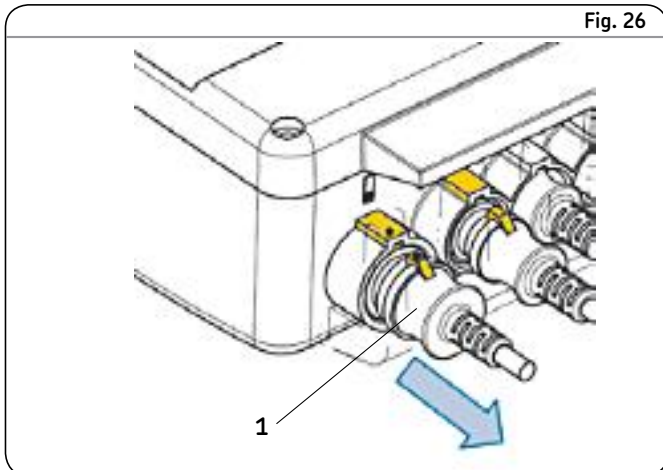


VCU and SCU control

- 1 Loosen and remove the screw (1).
- 2 Lift up the cover (2) and remove it.



- 3 Hold the control firmly and pull the DIN-8 plug (1) out of it.



7.7 After use

Disconnect the pillar from the power supply or switch off the control (→ *Separate operating manual for the control*).

8 Maintenance

8.1 Safety

WARNING

Life-threatening danger due to electric shock or electrocution and crush hazards.

There is a life-threatening hazard when touching live components. Also, live electrical components can move unexpectedly and can cause serious injuries.

Therefore:

- Prior to starting work, switch off the power supply and safeguard it from being re-started.

Electrical equipment

WARNING

Life-threatening danger if restarted without authorization!

When correcting faults, there is danger of the energy supply being switched on without authorization. This poses a life-threatening hazard for persons in the danger zone.

Therefore:

- Prior to starting work, switch off the power supply and safeguard it from being switched on again.

Safeguarding against restart

WARNING

Risk of injury through moving parts

Rotating and/or linear moveable components can cause serious injuries.

Therefore:

- Turn off pillar and if necessary, protect it against being turned on again before conducting any maintenance work on moveable components.

Moving parts

8.2 Maintenance plan

The sections below describe the maintenance work required on the pillar to help provide optimal and smooth operation of the device.

If increased wear or dirt is found during regular checks, the required maintenance intervals should be shortened. Contact the manufacturer in the event of inquiries regarding maintenance work and intervals; see the service address on the back cover page.

Interval	Maintenance work	To be carried out by
Daily	Clean dust and dirt off the pillar (→ <i>Chapter 8.3.1 "Cleaning" on page 38</i>).	Operator
	Check pillar for visible damage (→ <i>Chapter 8.3.2 "Visual check of condition" on page 39</i>).	Qualified personnel
Monthly	Function check of operating features and safety equipment. Check the attachment of the device to the upper and lower attachment plates.	Qualified personnel Qualified personnel
Every 6 months	Check the function of the emergency cut-off switch, if present. Check all plugs to be sure they are properly inserted.	Qualified electrician Operator
Definition through the processor	Conduct visual inspection of the condition of the permanent safeguard and the routing of the supply and control cable within the application. Cable routing elements should not be loose or broken.	Qualified electrician



Note!

If the telescopic pillar is used outside of the specified environmental conditions, check all components that are directly exposed to these environmental conditions monthly for visual changes (such as oxidation or sedimentation).

8.3 Maintenance work

8.3.1 Cleaning

- 1 Turn off pillar and secure against restart.
- 2 Clean dirty parts with a damp, lint-free cloth.



Notice

Damage due to incorrect cleaning!

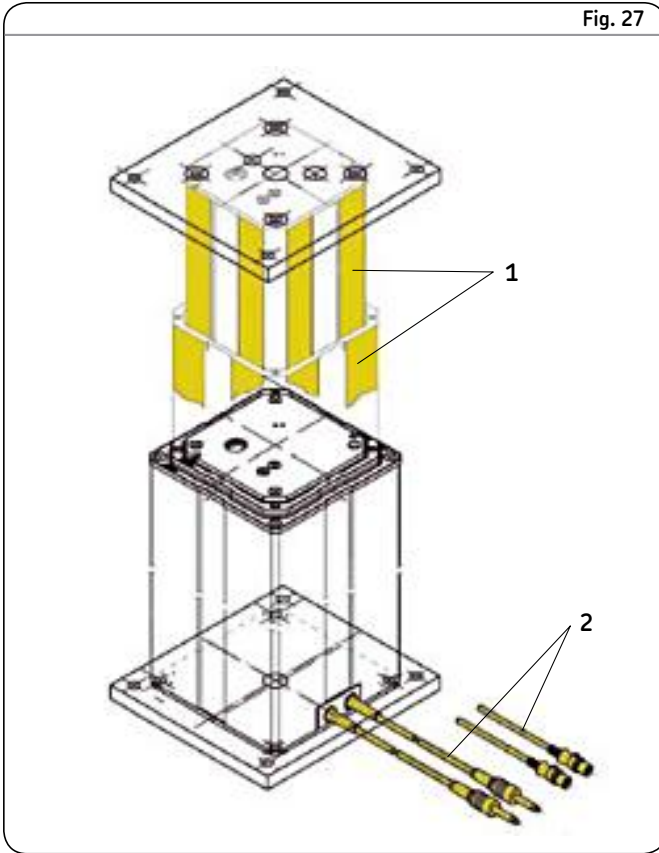
Incorrect cleaning may lead to significant material damage. Therefore:

- Do not use any aggressive cleaning agents. Water used for cleaning, including the chemical additives, must be pH-neutral.
- Only use the auxiliary materials listed by the manufacturer.
- Do not treat emergency lowering mechanism for quick adjustment system with oil, grease or other lubricants.
- No steam jets or pressure washers may be used for cleaning.
- Other cleaning agents or cleaning devices may only be utilized with the manufacturer's approval.

Improper cleaning

8.3.2 Visual inspection

- 1 Turn off device and secure against restart.
- 2 Check the following components (→ Fig. 28).
 - Guiding tubes (1) for scratches, bumps, cracks and gaps .
 - Connection sockets for visible exterior damage.
 - In case of damage, contact manufacturer
(For address → Cover page).



Visual inspection

- 1 Guiding tubes
- 2 Connecting cable for jack or DIN8 plug

- 3 Relubricate the sliding surfaces if necessary (please contact SKF).
- 4 In case of damage, inform the person responsible for further machining or the manufacturer.

8.4 Actions after maintenance has been completed

After completing the maintenance work and before operating the device, carry out the following steps:

- 1 Check that all previously loosened threaded connections are tight.
- 2 Check that all previously removed safety devices and covers have been replaced properly.
- 3 Check that all tools, materials and other equipment used for maintenance have been removed from the work area.
- 4 Clean the work area and remove any substances which may have escaped, such as liquids or processing material.
- 5 Ensure that all the appliance's safety devices are completely functional.
- 6 Document the inspections and maintenance in the service log.

9 Malfunctions

The following chapter describes the possible causes of faults, and the work required to fix them.

In the event of repeated faults, shorten the maintenance intervals in accordance with the actual load.

Contact the manufacturer in the event of faults which cannot be fixed in accordance with the instructions below; see the service address on the back cover page.

9.1 Safety

WARNING

Life-threatening danger due to electric shock or electrocution and crush hazards.

There is a life-threatening hazard when touching live components. Also, live electrical components can move unexpectedly and can cause serious injuries.

Therefore:

- Prior to starting work, switch off the power supply and safeguard it from being re-started.

Electrical equipment

WARNING

Life-threatening danger if restarted without authorization!

When correcting faults, there is danger of the energy supply being switched on without authorization. This poses a life-threatening hazard for persons in the danger zone.

Therefore:

- Prior to starting work, switch off the power supply and safeguard it from being switched on again.

Safeguarding against restart

WARNING

Risk of injury and material damage due to incorrect repair of malfunction

The telescopic pillar is not designed for repair work. Incorrect repair of a malfunction may lead to personal injury or material damage.

Therefore:

- Never loosen the screws on the telescopic pillar or try to open the telescopic pillar.
- In the event of a malfunction that cannot be fixed by adhering to the following instructions, uninstall the device and send it to the manufacturer for repair (→ *Chapter 5*).

Incorrect repair of malfunction

When a malfunction occurs, do the following:

- 1 In the event of a malfunction that may present an immediate danger to persons or assets, turn off the pillar or control unit immediately and safeguard against a restart.
- 2 Determine cause of malfunction.
- 3 Depending on the type of a malfunction, have it repaired by authorized qualified personnel or fix it yourself.
- 4 Inform responsible party on-site concerning malfunction.

9.2 Troubleshooting chart



Note!

The following troubleshooting chart provides information as to who is authorized to repair the respective defect.

Fault description	Cause	Remedy	Personnel
Telescopic pillar does not move	No supply voltage.	Check power supply.	Qualified electrician.
	Lack of plug contact or plug has not been inserted properly.	Plug contacts: Check pillar control, voltage grid control, control of operating element. Reinsert plug.	User.
	Defective power cable or plug.	Supply cable and plug of the lines: Check pillar control, voltage grid control, control of operating element for damage.	Qualified electrician.
	Obstacle in the lift area of the pillar.	Remove all obstacles in the lift area.	User.
	Incorrect control unit.	Compare the specification on the control unit's label with the device label. If the manufacturer of the control unit is not approved for the Telemag telescopic pillar, replace it with an authorized one.	Qualified personnel.
	Incorrect service load.	Measure static and dynamic load and compare with information concerning the type sign. If the service load is exceeded, check the nominal load. Do not exceed.	Qualified personnel.

Fault description	Cause	Remedy	Personnel
Telescopic pillar does not move	Defective control unit/ operating element.	Carry out troubleshooting of SKF control unit. If necessary, replace defective control unit/ operating element.	Qualified personnel.
	Lifespan of the pillar is exceeded.	Replace the pillar, if the pillar is older than 10 years or it has carried out more than 20,000 double lifts with a lift of 300 mm.	Qualified personnel.
	The telescopic pillar cannot be moved by any of the measures listed above.	Replace telescopic pillar, contact the manufacturer.	Qualified personnel.
The pillar cannot be operated	Defective SKF operating element.	Carry out troubleshooting of the SKF operating element. If necessary, replace operating element.	Qualified personnel.
	Incorrect operating element.	Compare the specification on the operating element 's label with the device label. If the manufacturer of the operating element is not authorized for the pillar, replace it with an authorized one.	Qualified personnel.
The telescopic pillar cannot be lifted	Obstacle in the lift area of the telescopic pillar.	Remove all obstacles in the lift area.	User.
	Incorrect service load.	Remove all loads that are on the element. Then check the pillar.	Qualified personnel.
	Defective motor, gear or ball screw nut.	Remove all loads that are on the elements, check the pillar after that.	Qualified personnel.
Significantly reduced speed	Obstacle in the lift area of the pillar.	Remove all obstacles in the lift area.	User.
	Incorrect service load.	Remove all loads that are on the elements, check the pillar after that.	Qualified personnel.
Significantly increased operating noise	Obstacle in the lift area of the pillar.	Remove all loads that are on the element. Then check the pillar.	Qualified personnel.
	Incorrect service load.	Remove all loads that are on the elements.	User.
	Defective motor, gear or ball screw nut.	Replace pillar.	Qualified personnel.
Play in the guiding system	Sliding elements are worn.	Replace pillar.	Qualified personnel.

9.3 Start of operation after fault has been eliminated

To restart equipment after fault has been corrected, follow instructions in the Installation chapter.

10 Dismantling and disposal

Following the end of its useful life, the appliance must be uninstalled and disposed of in accordance with the local environmental regulations.

10.1 Safety

WARNING

Danger of injury due to improper dismantling

Stored residual energy, angular components, points and edges on and in the appliance or on the tools needed to uninstall can cause injuries.

Therefore:

- Ensure there is sufficient space before starting work.
- Handle exposed, sharp-edged components with care.
- Pay attention to orderliness and cleanliness in the workplace! Loosely stacked or scattered components and tools could cause accidents.
- Uninstall the components properly. Note that some components may have a high intrinsic weight. Use hoists if necessary.
- Secure components so that they cannot fall down or topple over.
- Contact the manufacturer if in doubt.

Improper dismantling

10.2 Dismantling

10.2.1 Dismantling the telescopic pillar

- 1 Disconnect the device's control from the power supply.
- 2 Pull the jack or DIN-8 plug of the telescopic pillar out of the control unit (→ *Chapter 10.1.2 and 10.1.3*).
- 3 Secure elements of the application so that no loads act on the attachment plates.
- 4 Loosen and remove the screws for the application/attachment plates of the telescopic pillar or application on the upper and lower side of the telescopic column.
- 5 Disconnect the telescopic pillar from the elements of the applications.
- 6 Loosen and remove any attachment screws present for the attachment plates.
- 7 Clean the device.
- 8 Carefully pack the device for shipment to the manufacturer (→ *Chapter 5.2*).

10.2.2 Pull the jack out of the KOM control unit

Proceed as follows to pull jack out of the connection socket of the control unit:

- Special tools required:
 - Special tool from the manufacturer (part no. 0100609)

- 1 Insert special tool (1) in the groove (2) of the jack plug.

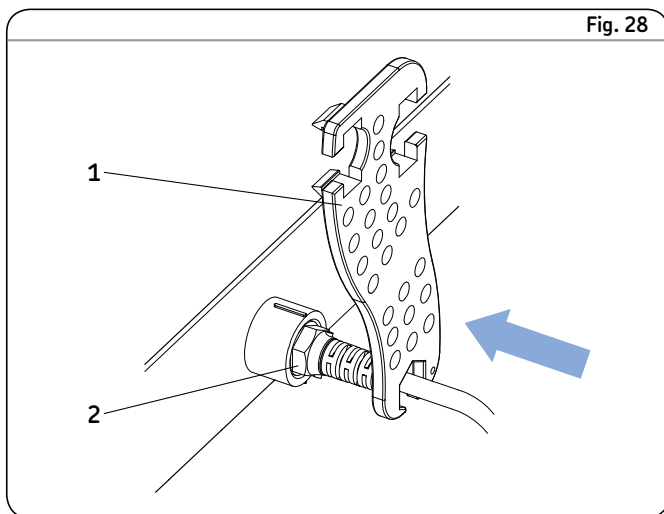
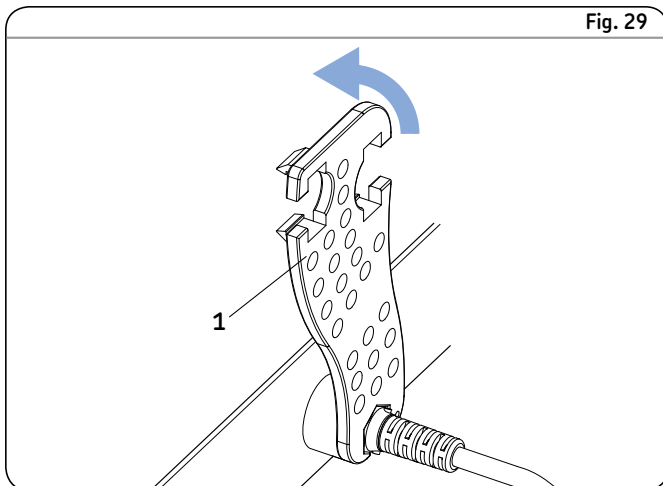


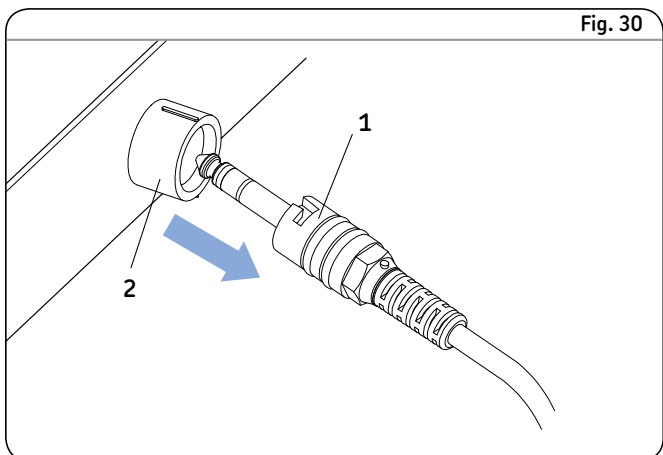
Fig. 28

Connection, KOM control in this example

- 2 Turn special key (1) counter-clockwise until the bayonet joint of the jack plug is unlocked.



- 3 Pull jack plug (1) out of the connection outlet (2) of the control unit (arrow).

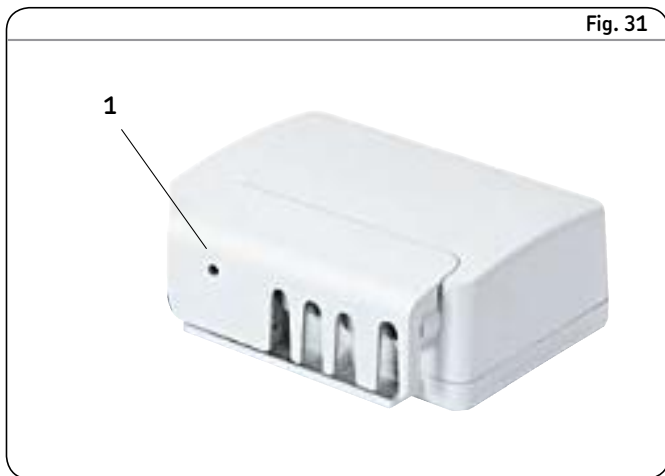


10.2.3 Pull the DIN-8 plug out of the BCU/VCU/SCU control unit

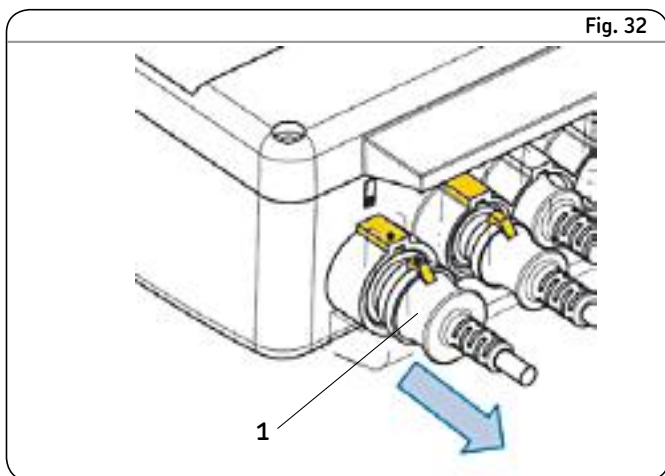
BCU control

Pull DIN-8 plug out of the connection socket of the control unit:

- 1 Lift up the cover (1) and remove it:

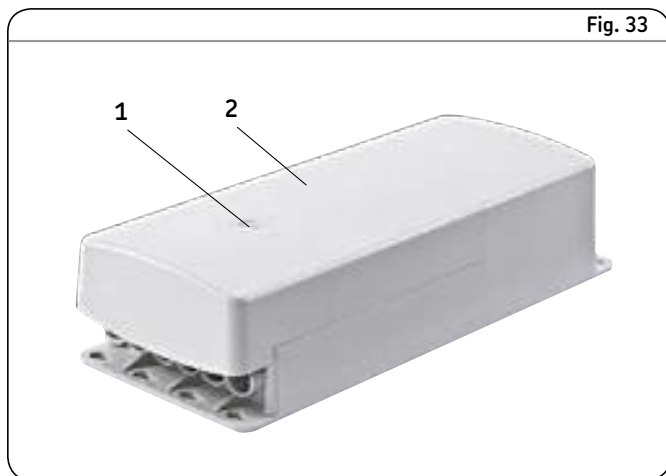


- 2 Hold the control firmly and pull the DIN-8 plug (1) out of it.

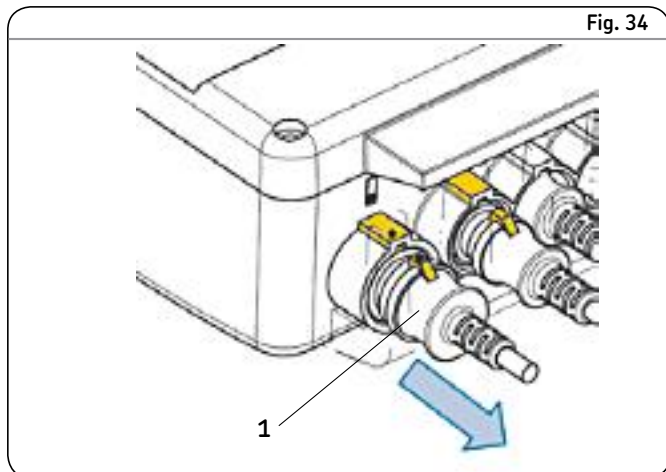


VCU and SCU control

- 1 Loosen and remove the screw (1).
- 2 Lift up the cover (2) and remove it.



- 3 Hold the control firmly and pull the DIN-8 plug (1) out of it.



10.3 Disposal

For the disposal, uninstall the device according to applicable local occupational health and environmental regulations (→*Chapter 10.2*).

For disposal, clean component groups and components professionally and in accordance with applicable local occupational health and environmental regulations.

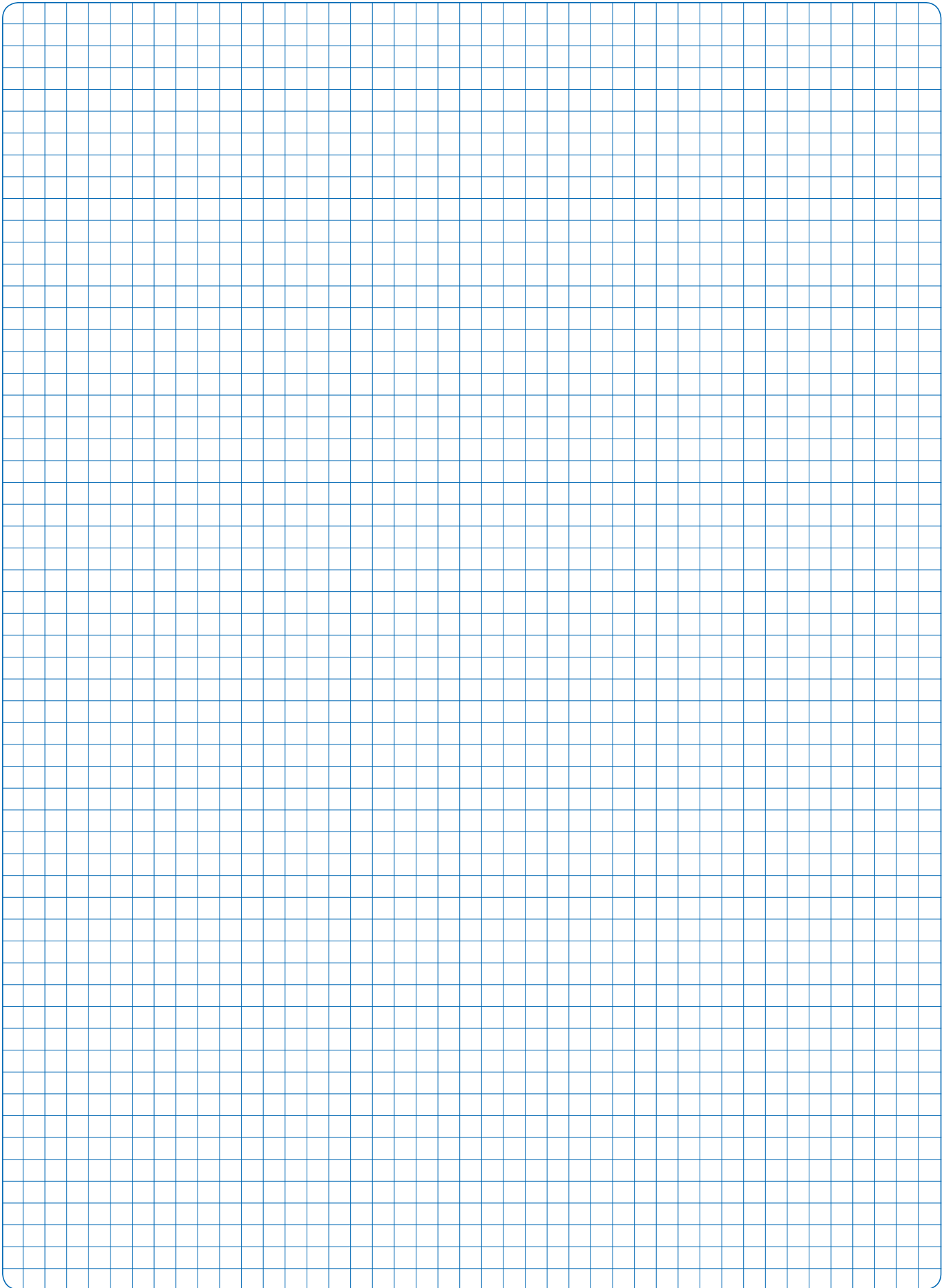
If no return or disposal agreement has been made with SKF, send the uninstalled components to a licensed recycler for recycling.

CAUTION

Incorrect disposal can cause environmental damage

Therefore:

- Electrical scrap, electronic components, lubricants and other auxiliary materials must be disposed of by authorised recycling companies.
- If in doubt, obtain information about disposal in accordance with the environmental regulations from the local municipal authorities or specialised waste disposal companies.



11 Index

A

Accessories 18

Action

after use 36
during operation 36
prior to use 36

C

Cable feed 16

Changes

on the pillar 10

Check condition

visually 43

Checks

in form of maintenance work 43
prior to initial start of operation 36

Cleaning 42

Connections

Connecting cable 16
Control unit 16

Contact person 70

Customer service 5

D

Description

of the pillar 15

Dismantling 47

Disposal 47

E

Emergency-stop concept 8

F

Functional principle 15

H

Hazard zones 19

I

Impulse transmitter 17

Installation 23

Installation position 24

Intended use 6

L

Limitation of liability 4

M

Maintenance 41

Maintenance plan 42

Maintenance work 42

Malfunctions 44

N

Normal operation 36

O

Operating elements 17

Operation 36

Options 17

P

Packaging 21

Performance data 11

Malfunctions 44

R

Replacement parts 4

Retooling
of the pillar 10

Return shipment 21

S

Safety
General 34

Safety devices
installed 9
in the separate control 10

Start of operation
after error has been eliminated 46

Storage 22

Symbols
in the manual 3
on the packaging 22

T

Technical data 11

Transport inspection 20

Troubleshooting chart 45

Turn on and off 35

Type label 12

U

Use 6

W

Warranty terms 5

12 Appendix

Technical data sheets

The following 12 pages are a reprint from

PUB L5322,1650 EN • May 2010

PUB L5322,1660 EN • May 2010

PUB L5322,1670 EN • February 2011

Telescopic pillar

Telemag THG

Benefits

- Compact design
- Robust

Standards

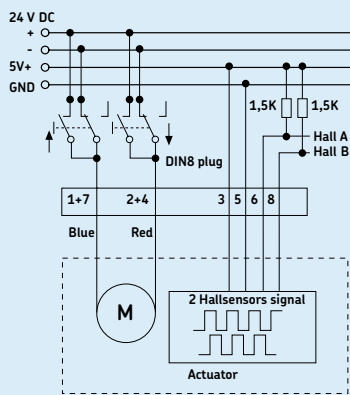
- EN/IEC 60601-1
- UL 60601-1



Suitable control units and accessories

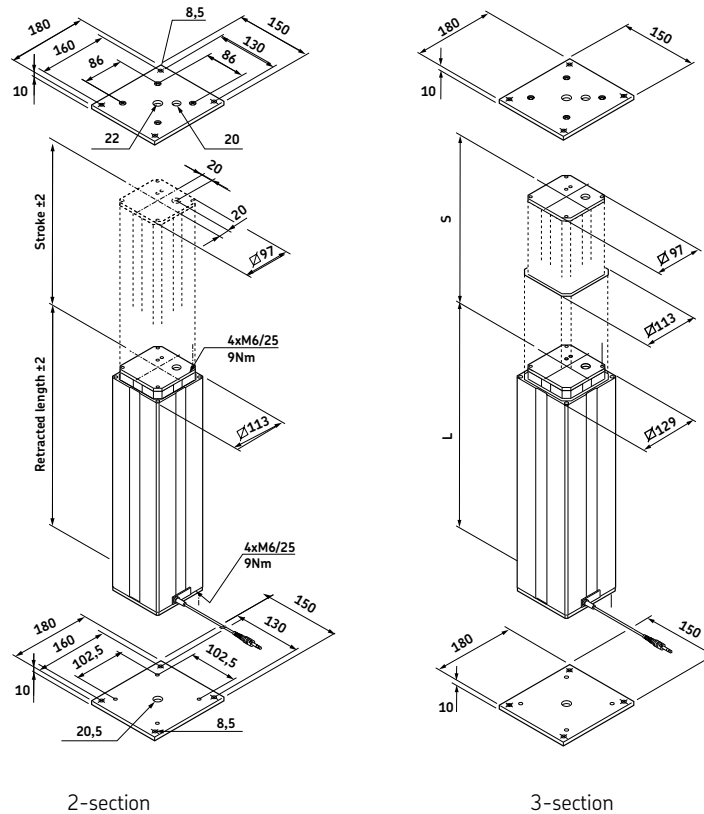
Control units		SCU 1	SCU 5	SCU 9	VCU 5	VCU 8	VCU 9	BCU 5	BCU 8	MCU
THG		●	●	●	●	●	●	●	●	●
EHA 1	Hand switch									●
EHA 3	Hand switch	●	●	●	●	●	●	●	●	●
STF	Foot switch									●
STJ	Foot switch	●	●	●	●	●	●	●	●	●
STA	Desk switch									●
STE	Desk switch	●	●	●	●	●	●	●	●	●

Connecting diagram*



* Only valid with THG11. THG10 must be operated by a BCU, SCU or VCU control unit.

Dimensional drawing



Legend:
S = stroke
L = retracted length

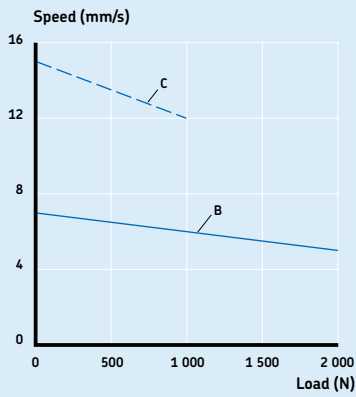
Note: mounting plates are not included. To be ordered separately.

Technical data

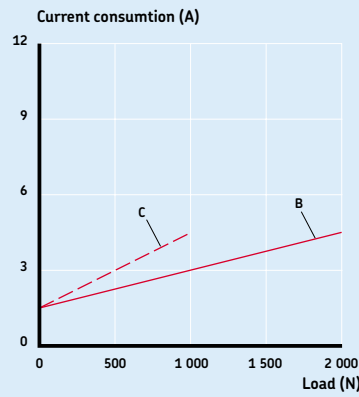
	Unit	THG 10/11-BA	THG 10/11-CA	THG 10/11-BD	THG 10/11-CD
Rated push load	N	2 000	1 000	2 000	1 000
Rated pull load	N	0	0	0	0
Bending load	Nm	up to 250*	up to 120*	up to 1 000*	up to 450*
Speed (full load to no load)	mm/s	5 to 7	12 to 15	5 to 7	12 to 15
Telescopic pillar version	# of section	2-section	2-section	3-section	3-section
Stroke	mm	200 to 700	200 to 700	200 to 700	200 to 700
Retracted length	mm	S+270	S+270	S+180	S+180
Voltage	V DC	24	24	24	24
Power	W	120	120	120	120
Current	A	5	5	5	5
Duty cycle: intermittent operation	min.	1 min./9 min.	1 min./9 min	1 min./9 min	1 min./9 min
Ambient temperature	°C	+10 to +40	+10 to +40	+10 to +40	+10 to +40
Type of protection	IP	30	30	30	30
Protection class	-	SELV	SELV	SELV	SELV
Type of control	-	electrical	electrical	electrical	electrical
Weight	kg	8 to 14	8 to 14	8 to 14	8 to 14

* for details, please see bending load diagrams

Performance diagrams

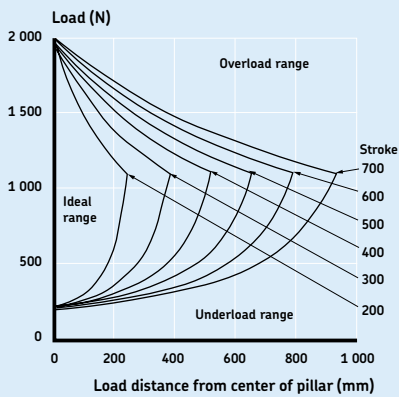


Speed-load diagram

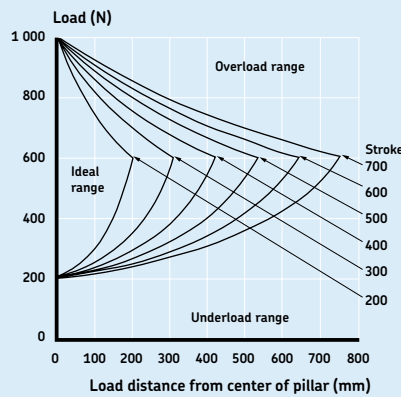


Current-load diagram

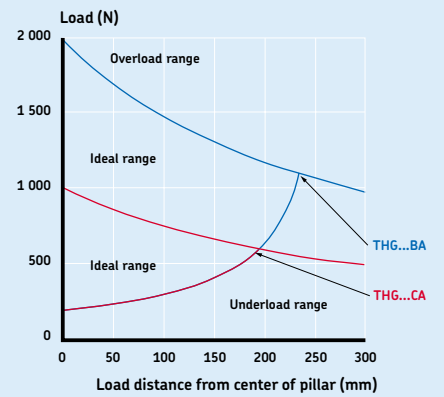
Bending load diagrams



Bending load diagram THG...BD

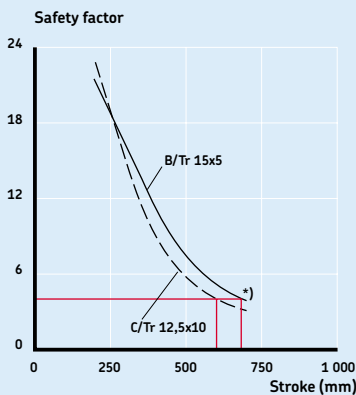


Bending load diagram THG...CD



Bending load diagram THG...BA/CA

Safety factor load conditions



* Safety factor = 4

Ordering key



Type

Voltage:

24 V DC
24 V DC with integrated current cut-off

0
1

Load:

2 000 N
1 000 N

B
C

Tube set:

Tube set 2x
Tube set 3x

A
D

Stroke (S):

200 mm
300 mm
400 mm
500 mm
600 mm
700 mm

2
3
4
5
6
7

Cable / connecting plug:

Straight, 1,0 m / jack plug
Straight, 2,3 m / jack plug
Coiled, 0,6 m / jack plug
Straight, 1,0 m / DIN8 plug
Straight, 2,3 m / DIN8 plug
Coiled, 0,6 m / DIN8 plug

1
2
A
3
4
B

Option:

No option
1-Hall encoder, 8 pulses, cable with jack plug
Potentiometer, 1 kΩ, 2 Watt, 0,25 % linearity, 10 turns (tube set 3x only)
Cable feedthrough, 5 x 0,75 mm², top +160 mm, bottom +800 mm
Cable feedthrough, 1-Hall encoder
Cable feedthrough, potentiometer (tube set 3x only)
2-Hall encoder, cable with DIN8 plug
Cable feedthrough, 2-Hall encoder, cable with DIN8 plug

0
A
B
C
D
E
F
G

Options shown in italics are only available on demand. Contact SKF for more information on minimum quantities and additional costs.

Accessories

	Designation	Order N°
Top mounting plate for 2 x tube set	SPL-264265	M/0125688
Bottom mounting plate for 2 x tube set	SMT-264363	M/0124814
Top mounting plate for 3 x tube set	SPL-264265	M/0125688
Bottom mounting plate for 3 x tube set	SPL-264237	M/0125622
Screw (4/plate) for mounting plate (2 tube set)	ZBE-510709	M/0125560
Screw (4/plate) for mounting plate (3 tube set)	ZBE-510707	M/0125360

© SKF is a registered trademark of the SKF Group

© SKF Group 2010

The contents of this publication are the copyright of the publisher and may not be reproduced (even extracts) unless prior written permission is granted. Every care has been taken to ensure the accuracy of the information contained in this publication but no liability can be accepted for any loss or damage whether direct, indirect or consequential arising out of the use of the information contained herein.

Printed in Sweden on environmentally friendly paper.

PUB L5322,1650 EN · May 2010



Telescopic pillar

Telemag TLG

Benefits

- High bending load
- Powerful

Standards

- EN/IEC 60601-1
- UL 60601-1

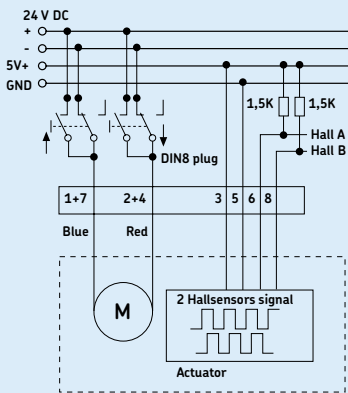


Suitable control units and accessories

Control units		SCU 1	SCU 5	SCU 9	VCU 5	VCU 8	VCU 9	BCU 5	BCU 8	MCU
TLG		●	●	●	●	●	●	●	●	●
	EHA1									●
	EHA3	●	●	●	●	●	●	●	●	●
	STF									●
	STJ	●	●	●	●	●	●	●	●	●
	STA									●
	STE	●	●	●	●	●	●	●	●	●

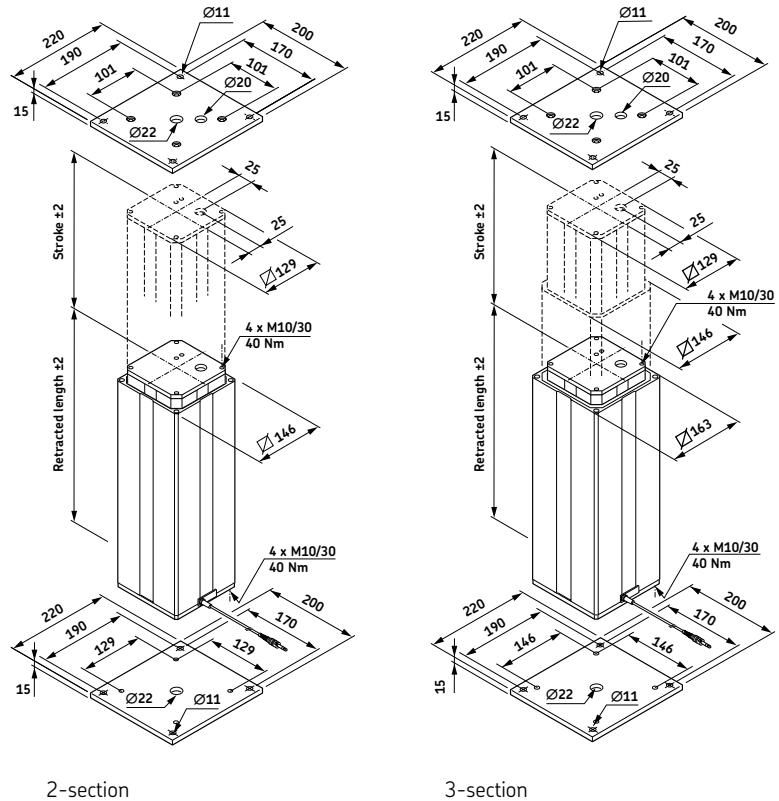
Hand switch
 Foot switch
 Desk switch

Connecting diagram*



* Only valid with TLG11. TLG10 must be operated by a BCU, MCU, SCU or VCU control unit.

Dimensional drawing



Legend:
S = stroke
L = retracted length

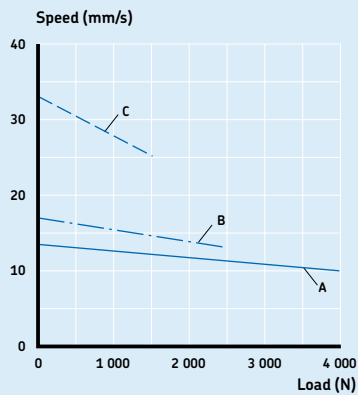
Note: mounting plates are not included.
To be ordered separately.

Technical data

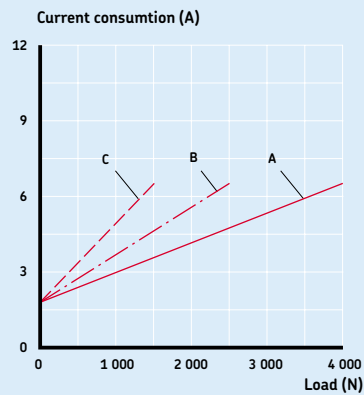
Unit	TLG 10/11-A	TLG 10/11-B	TLG 10/11-C
Rated push load	N	4 000	2 500
Rated pull load	N	0	0
Bending load	Nm	up to 2 800*	up to 1 750*
Speed (full load to no load)	mm/s	10 to 14	13 to 17
Telescopic pillar version	# of section	2 or 3-section	2 or 3-section
Stroke	mm	200 to 700	200 to 700
Retracted length	mm	S+180	S+180
Voltage	V DC	24	24
Power	W	156	156
Current	A	6,5	6,5
Duty cycle: intermittent operation	min.	1 min./9 min	1 min./9 min
Ambient temperature	°C	+10 to +40	+10 to +40
Type of protection	IP	30	30
Protection class	-	SELV	SELV
Type of control	-	electrical	electrical
Weight	kg	15 to 30	15 to 30

* For details, please see bending load diagrams

Performance diagrams

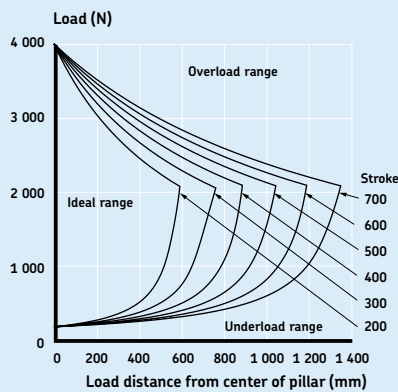


Speed-load diagram

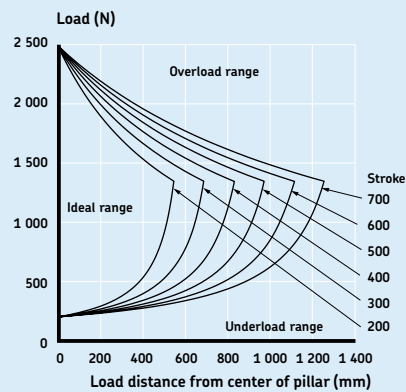


Current-load diagram

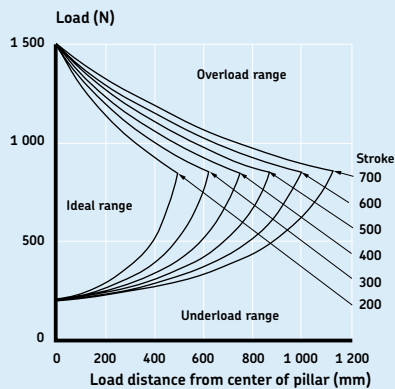
Bending load diagrams



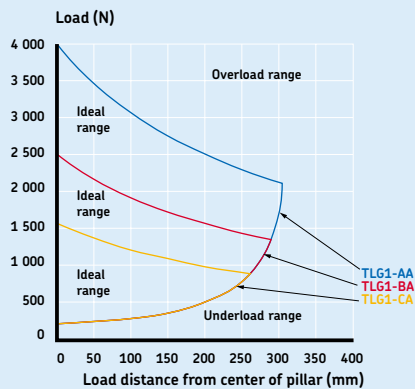
Bending load diagram TLG ...AD



Bending load diagram TLG ...BD



Bending load diagram TLG ...CD



Bending load diagram TLG...AA/BA/CA

Ordering key

TLG1 - - - - - 000

Type

Voltage:

24 V DC
24 V DC with integrated current cut-off

0
1

Load:

4 000 N
2 500 N
1 500 N

A
B
C

Tube set:

Tube set 2x
Tube set 3x

A
D

Stroke (S):

200 mm
300 mm
400 mm
500 mm
600 mm
700 mm

2
3
4
5
6
7

Cable / connecting plug:

Straight, 1,0 m / jack plug
Straight, 2,3 m / jack plug
Coiled, 0,6 m / jack plug
Straight, 1,0 m / DIN8 plug
Straight, 2,3 m / DIN8 plug
Coiled, 0,6 m / DIN8 plug

1
2
A
3
4
B

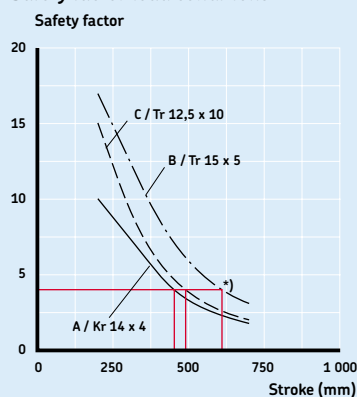
Option:

No option
1-Hall encoder, 8 pulses, cable with jack plug
Potentiometer, 1 kΩ, 2 Watt, 0,25 % linearity, 10 turns
Cable feedthrough, 5 × 0,75 mm², led out, top +160 mm, bottom +800 mm
Cable feedthrough, 1-Hall encoder
Cable feedthrough, potentiometer
2-Hall encoder, cable with DIN8 plug
Cable feedthrough, 2-Hall encoder, cable with DIN8 plug

0
A
B
C
D
E
F
G

Options written in italic fonts are only available on demand. Please contact SKF

Safety factor load conditions



* Safety factor = 4

Accessories

Description	Designation	Order N°
Top mounting plate for 2 × tube set	SPL-290268	M/0125624
Bottom mounting plate for 2 × tube set	SPL-290351	M/0125625
Top mounting plate for 3 × tube set	SPL-290268	M/0125624
Bottom mounting plate for 3 × tube set	SPL-290265	M/0125623
Screw (4/plate) for mounting plate	ZBE-510707	M/0125360

© SKF is a registered trademark of the SKF Group

© SKF Group 2010

The contents of this publication are the copyright of the publisher and may not be reproduced (even extracts) unless prior written permission is granted. Every care has been taken to ensure the accuracy of the information contained in this publication but no liability can be accepted for any loss or damage whether direct, indirect or consequential arising out of the use of the information contained herein.

Printed in Sweden on environmentally friendly paper.

PUB L5322,1660 EN · May 2010



Telescopic pillar

Telemag TLT

Benefits

- Very small built-in dimension
- Powerful

Standards

- EN/IEC 60601-1
- UL 60601-1

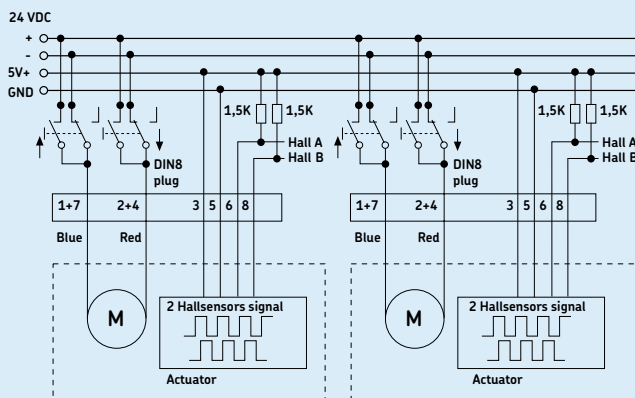


Suitable control units and accessories

		Control units							
		SCU 1	SCU 5	SCU 9	VCU 5	VCU 8	VCU 9	BCU 5	BCU 8
	TLT	•	•	•	•	•	•	•	•
	EHA3	•	•	•	•	•	•	•	•
	STJ	•	•	•	•	•	•	•	•
	STE	•	•	•	•	•	•	•	•

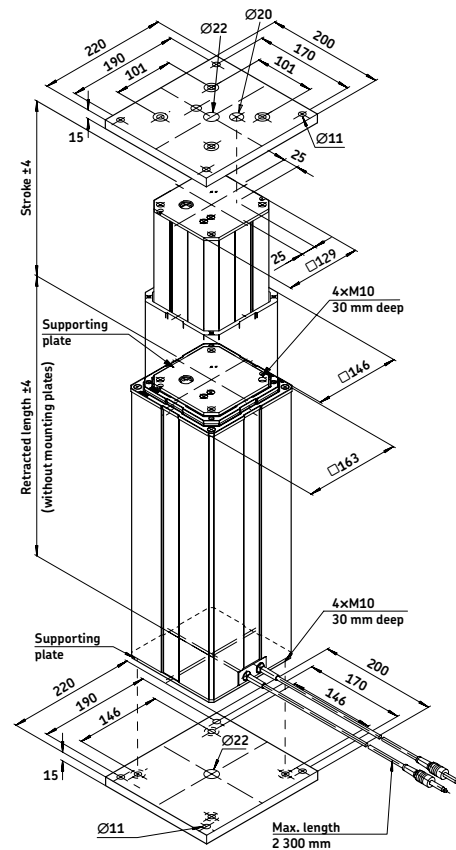
Hand switch
 Foot switch
 Desk switch

Connecting diagram*



* Only valid with TLT11. TLT10 must be operated by a BCU, SCU or VCU control unit.

Dimensional drawing



Legend:
 S = stroke
 L = retracted length

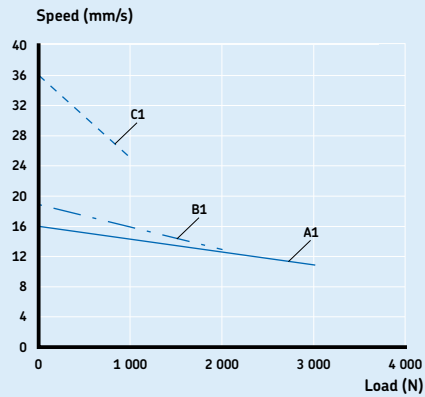
Note: mounting plates are not included.
 To be ordered separately.

Technical data

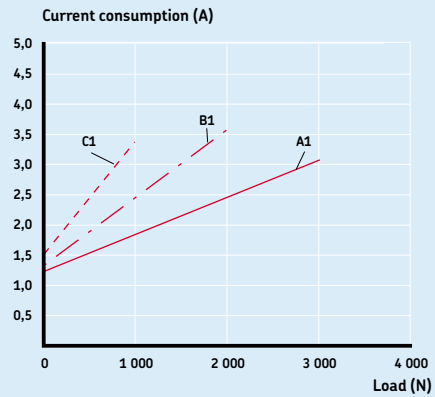
	Unit	TLT10-A1	TLT10-A2	TLT10-B1	TLT10-C1	TLT10-C2
Rated push load	N	3 000	4 000	2 000	1 000	2 000
Rated pull load	N	0	0	0	0	0
Bending load	Nm	up to 400*	up to 1 000*	up to 250*	up to 110*	up to 480*
Speed (full load to no load)	mm/s	11 to 16	13 to 19	13 to 19	25 to 36	25 to 42
Telescopic pillar version	# of section	3-section	3-section	3-section	3-section	3-section
Stroke	mm	300 to 700	300 to 700	300 to 700	300 to 700	300 to 700
Retracted length	mm	0,5 × S+170	0,5 × S+240	0,5 × S+170	0,5 × S+170	0,5 × S+240
Voltage	V DC	24	24	24	24	24
Power	W	168	168	192	192	216
Current	A	2×3,5	2×3,5	2×4,0	2×4,0	2×4,5
Duty cycle: intermittent operation	min.	1 min./9 min	1 min./9 min	1 min./9 min	1 min./9 min	1 min./9 min
Ambient temperature	°C	+10 to +40	+10 to +40	+10 to +40	+10 to +40	+10 to +40
Type of protection	IP	40	40	40	40	40
Protection class	–	SELV	SELV	SELV	SELV	SELV
Type of control	–	electrical	electrical	electrical	electrical	electrical
Weight	kg	15 to 30	15 to 30	15 to 30	15 to 30	15 to 30

* For details, please see bending load diagrams

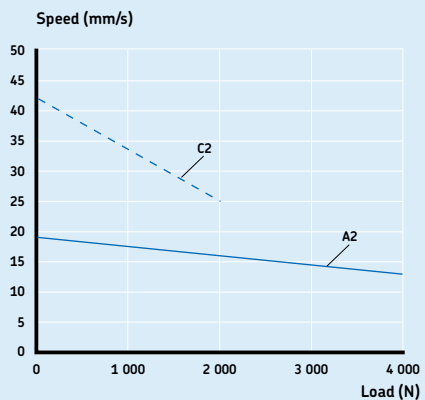
Performance diagrams



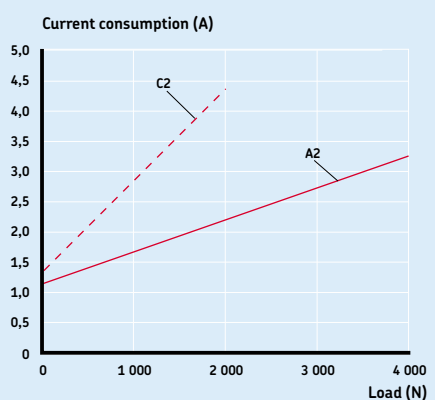
Speed-load diagram



Current-load diagram

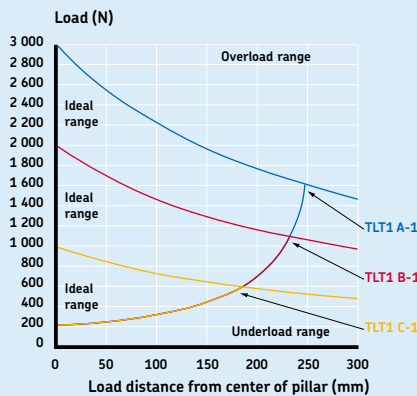


Speed-load diagram

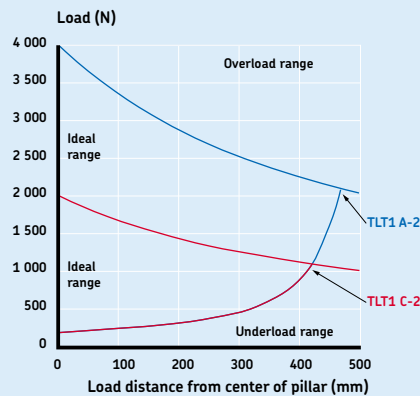


Current-load diagram

Bending load diagrams



Bending load diagram A1, B1, C1



Bending load diagram A2, C2

Ordering key

TLT1 - - - - - 000

Type

Voltage:

24 V DC

24 V DC with integrated current cut-off (only for A2 and C2)

0

1

Load / Speed:

4 000 N

3 000 N

2 000 N / 19 to 13 mm/s

2 000 N / 42 to 25 mm/s

1 000 N

A2

A1

B1

C2

C1

Stroke (S):

300 mm

400 mm

500 mm

600 mm*

700 mm*

3

4

5

6

7

Cable / connecting plug:

*Straight, 1,0 m / jack plug**Straight, 2,3 m / jack plug**Coiled, 0,6 m / jack plug**Straight, 1,0 m / DIN8 plug**Straight, 2,3 m / DIN8 plug**Coiled, 0,6 m / DIN8 plug*

1

2

A

3

4

B

Option:

No option

1-Hall encoder, 8 pulses, cable with jack plug

*Cable feedthrough, 3x1,5 mm², top +160 mm, bottom +800 mm**Cable feedthrough, 1-Hall encoder**2-Hall encoder, cable with DIN8 plug*

0

A

C

D

F

Options shown in italics are only available on demand. Contact SKF for more information on minimum quantities and additional costs.

*Reduced safety factor

Accessories

	Designation	Order N°
Top mounting plate	SPL-290268	M/0125624
Bottom mounting plate	SPL-290265	M/0125623
Screw (4/plate) for mounting plate	ZBE-510707	M/0125360

© SKF is a registered trademark of the SKF Group

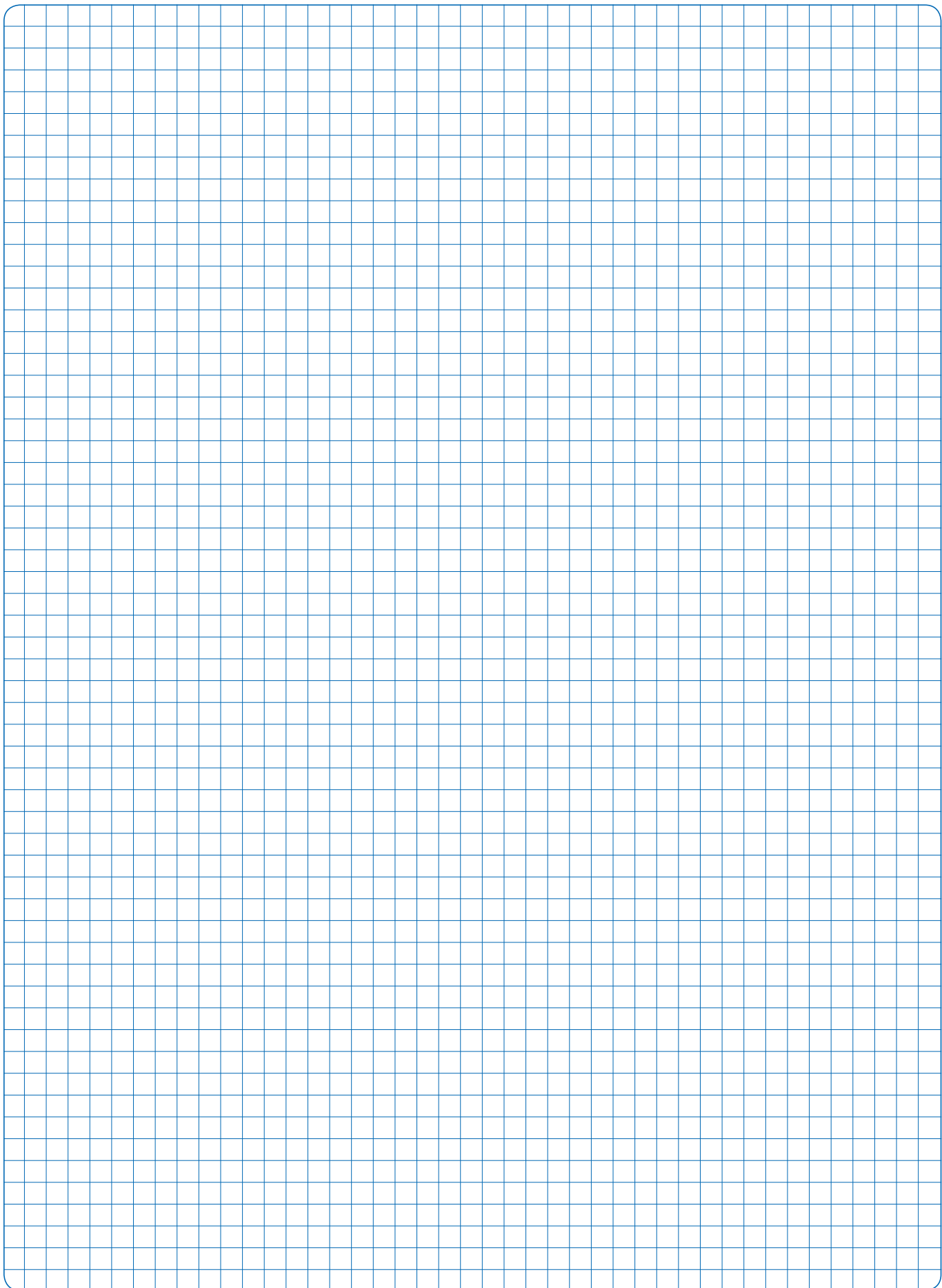
© SKF Group 2011

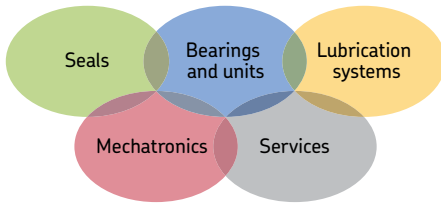
The contents of this publication are the copyright of the publisher and may not be reproduced (even extracts) unless prior written permission is granted. Every care has been taken to ensure the accuracy of the information contained in this publication but no liability can be accepted for any loss or damage whether direct, indirect or consequential arising out of the use of the information contained herein.

Printed in Sweden on environmentally friendly paper.

PUB L5322,1670 EN · February 2011







The Power of Knowledge Engineering

Drawing on five areas of competence and application-specific expertise amassed over more than 100 years, SKF brings innovative solutions to OEMs and production facilities in every major industry worldwide. These five competence areas include bearings and units, seals, lubrication systems, mechatronics (combining mechanics and electronics into intelligent systems), and a wide range of services, from 3-D computer modelling to advanced condition monitoring and reliability and asset management systems. A global presence provides SKF customers uniform quality standards and worldwide product availability.

Please contact:

SKF Actuation System (Liestal) AG

Oristalstrasse 97
4410 Liestal
Switzerland

Tel.: +41 61 925 4111

Fax: +41 61 921 3704

actuators@skf.com

© SKF is a registered trademark of the SKF Group.

© SKF Group 2012

The contents of this publication are the copyright of the publisher and may not be reproduced (even extracts) unless prior written permission is granted. Every care has been taken to ensure the accuracy of the information contained in this publication but no liability can be accepted for any loss or damage whether direct, indirect or consequential arising out of the use of the information contained herein.

PUB MT/P9 11738 EN · January 2012

