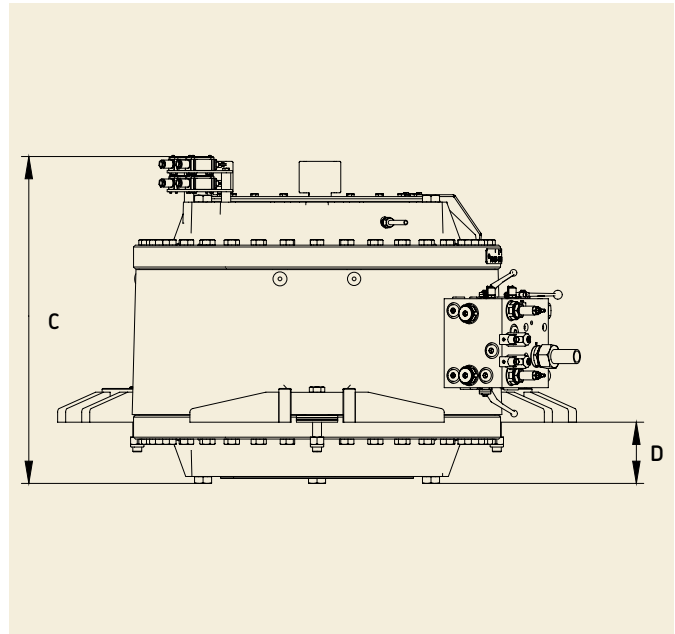
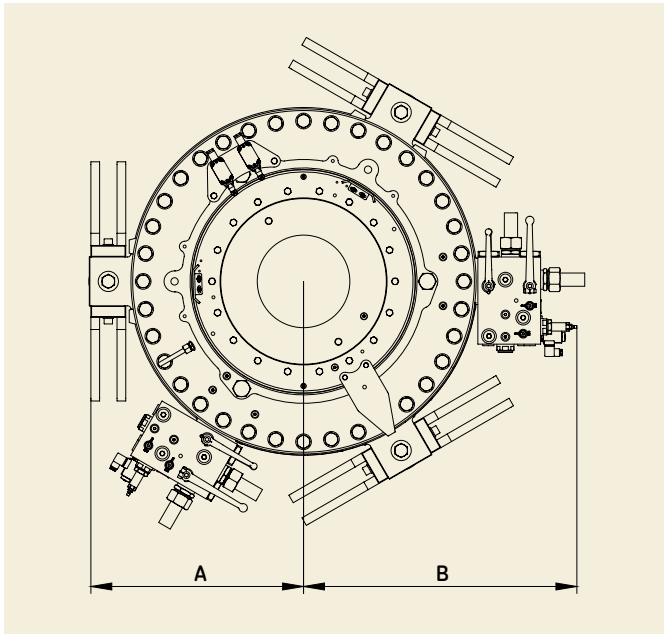


SKF Rotary vane steering gear V series

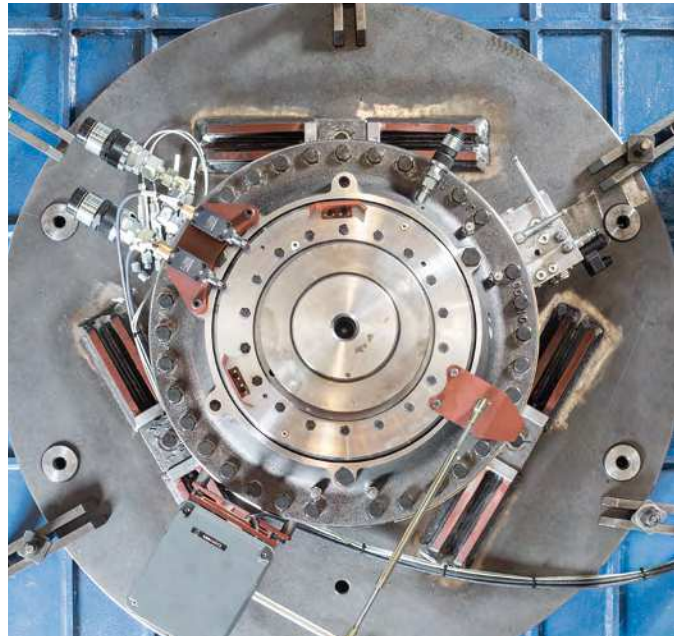


General description

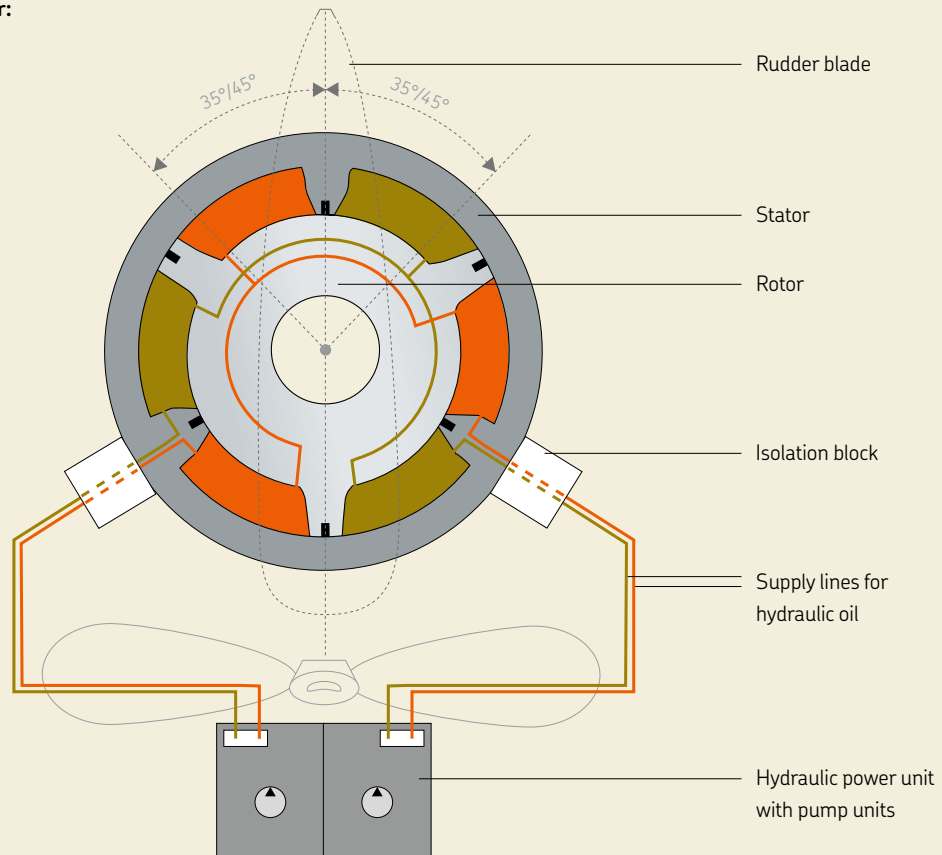
- SKF Rotary vane steering gear for all kinds of merchant vessels and yachts
- Standard design:
 - Hydraulic power unit with two redundant pump units
 - Integrated rudder carrier bearing
 - Integrated radial bearings
 - Motor starter boxes
- $\pm 35^\circ$ or $\pm 45^\circ$ rudder angle available
- Designed for easy installation and maintenance
- Compliance with classification societies regulations, SOLAS and IMO convention specifications

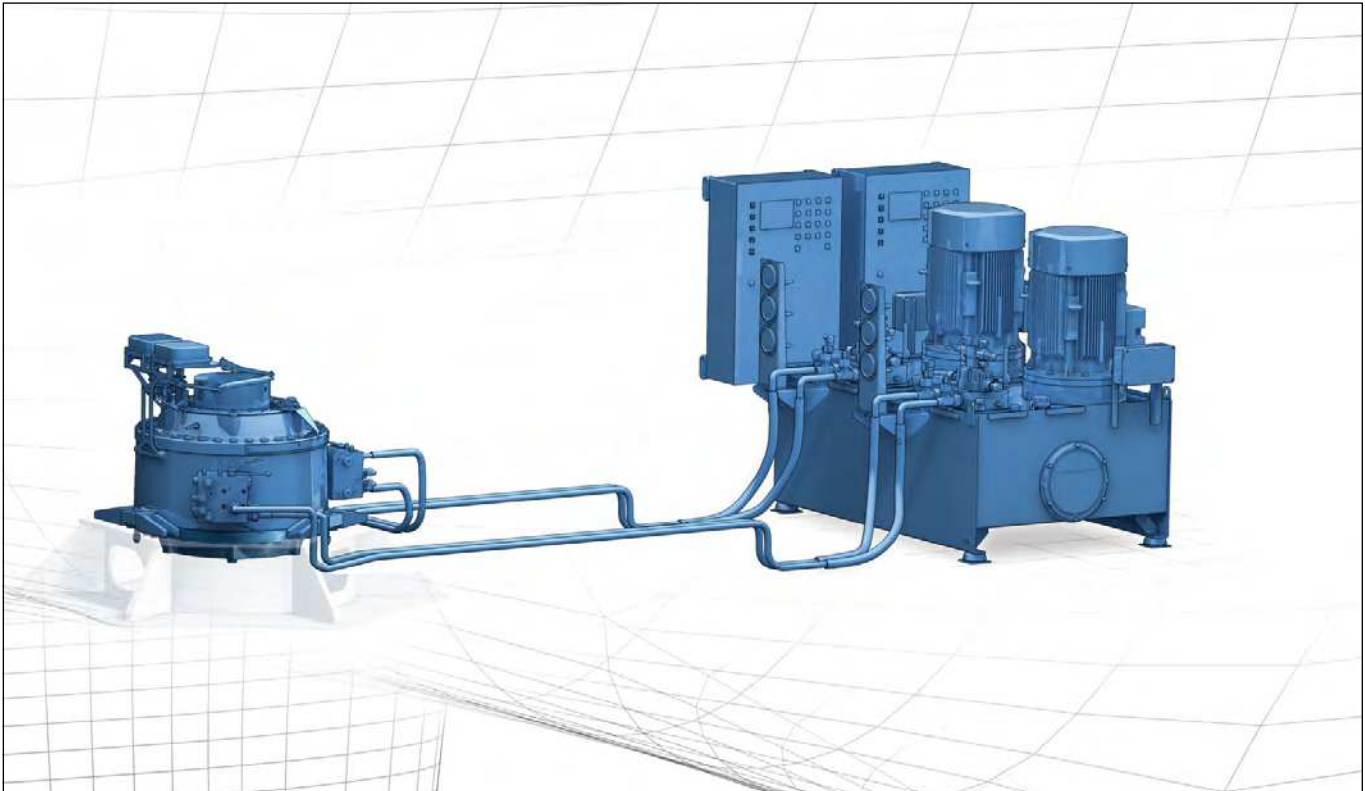


Steering gear/Type	V 220	V 250	V 285	V 325	V 360	V 390	V 425	V 455	V 480	V 515	V 555	
Dimensions [mm]:	A	385	445	490	565	610	680	730	790	830	895	955
	B	510	545	635	690	785	880	935	1 010	1 020	1 100	1 170
	C	590	660	730	810	870	960	1 030	1 090	1 170	1 240	1 310
	D	115	135	140	150	165	190	195	210	220	235	250
Available rudder diameter [mm]:	170	200	230	260	290	320	350	380	410	430	460	
	180	210	245	275	305	335	365	395	425	450	480	
	190	220	255	290	320	350	380	410	440	470	500	
	200	230	265	305	335	365	395	425	455	485	520	
	210	240	275	315	350	380	410	440	470	500	540	
	max.	max.	max.	max.	max.	max.	max.	max.	max.	max.	max.	max.
	220	250	285	325	360	390	425	455	480	515	555	
Max. working moment [kNm]:	120	180	270	400	550	700	900	1 100	1 300	1 600	2 000	
Weight of rotary vane motor [approx kg]:	677	974	1 392	2 015	2 692	3 765	4 799	5 895	7 032	8 071	10 782	
Volume of hydraulic oil tank [l]:	2 x	2 x	2 x	2 x	2 x	2 x	2 x	2 x	2 x	2 x	2 x	
	150	150	200	200	250	200	250	250	350	350	350	
Max. power consumption [kW]:	2 x	2 x	2 x	2 x	2 x	2 x	2 x	2 x	2 x	2 x	2 x	
	7,8	12,4	14,9	24,0	25,2	33,6	44,0	52,6	62,5	74,5	92,6	



**Functional principle
of rotary vane steering gear:**





Advantages

Design

- Compact and lightweight design
- Specially developed long-life seal system operating at a low hydraulic pressure, resulting in less wear
- Extremely resistant to wear of the lower rudder stock bearing, owing to the robust, integrated radial bearing and flexible mounting
- Hydraulic power unit with low noise level, fitted with two redundant pumps, ensuring a high level of reliability

Installation

- Simple installation by welding of stoppers, no fitting bolts required

Operation

- Low operational costs

Service

- Quick and easy exchange of bearings and radial lip seals. No dismantling of the rudder stock or rotary vane hub required
- Excellent 24/7 service by our own highly trained personnel

SKF Marine GmbH

Hermann-Blohm-Straße 5
20457 Hamburg, Germany

skf.com | skf-marine.com

© SKF is a registered trademark of the SKF Group.

© SKF Group 2016

The contents of this publication are the copyright of the publisher and may not be reproduced (even extracts) unless prior written permission is granted. Every care has been taken to ensure the accuracy of the information contained in this publication but no liability can be accepted for any loss or damage whether direct, indirect or consequential arising out of the use of the information contained herein.

PUB 43/P2 14949/3 EN · April 2016

Certain image(s) used under license from Shutterstock.com.