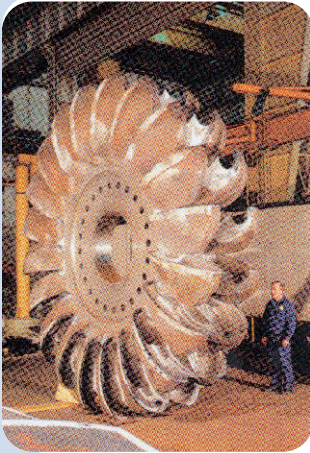
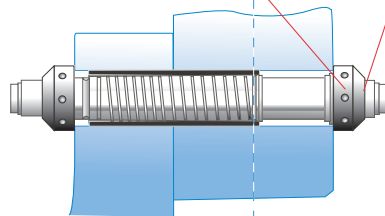
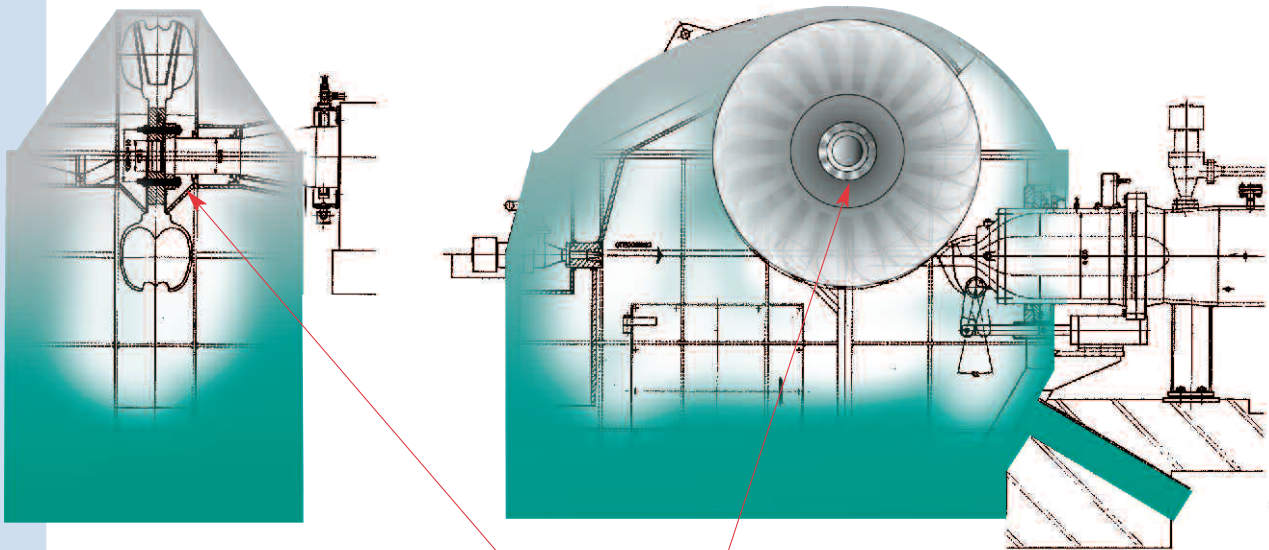


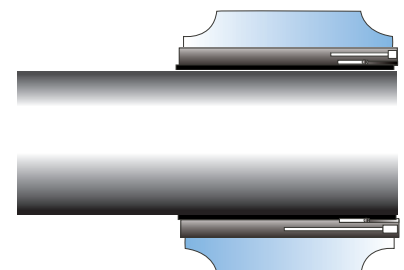
Shaft connections for Pelton turbines



Operations that took hours or even days before have been reduced to a few quick and simple steps using the SKF oil-injection method.



Fastening by SKF Supergrip bolts



Alternative fastening by SKF Double sleeve

SKF Coupling Systems AB

SE-813 82 Hofors, Sweden.
 Tel: +46 290 284 00. Fax: +46 290 282 70
 E-mail: skf.coupling.systems@skf.com
 Website: www.couplings.skf.com

© SKF is a registered trademark of the SKF Group.
 © SKF Group 2011.

The contents of this sheet are the copyright of the publisher and may not be reproduced (even extracts) unless permission is granted. Every care has been taken to ensure the accuracy of the information contained on this sheet but no liability can be accepted for any loss or damage whether direct, indirect or consequential arising out of the use of the information contained herein.

Publication November 2011.
 Printed in Sweden on environmentally friendly, chlorine-free paper.