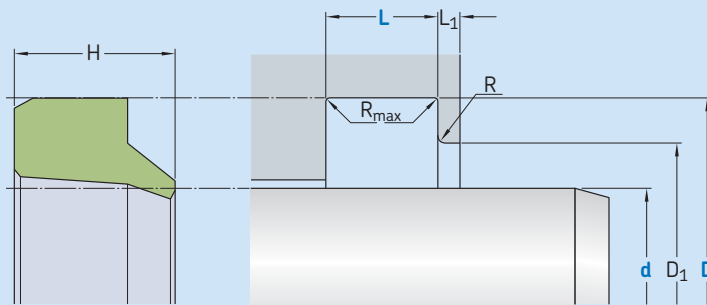


A02-B



Ordering dimensions in **blue**

Surface roughness	R_{tmax}	R_a
Sliding surface	$\leq 2,5 \mu m$	$0,05-0,3 \mu m$
Bottom of groove	$\leq 6,3 \mu m$	$\leq 1,6 \mu m$
Groove face	$\leq 15 \mu m$	$\leq 3 \mu m$

Bearing area: 50–95% and a cutting depth of $0,5 R_z$, based on $C_{ref} = 0\%$

Standard dimensions

d	f8	D	D_1	L	L_1	R_{max}	R	H
over	incl.	H11	H11	+0,2				
mm								
5	50	$d + 8$	$d + 4$	5	≥ 2	0,4	$\leq 0,4$	7,15
50	100	$d + 10$	$d + 5$	6	≥ 2	0,4	$\leq 0,4$	8,6
100		$d + 15$	$d + 7,5$	8,5	≥ 2	0,4	$\leq 0,4$	12,15

Ordering example

Profile
d x D x L [mm]
Sealing material

Wiper A02-B
50 x 58 x 5
ECOPUR

Operating parameters

Material Seal	Temperature		Speed ¹⁾
	from	to	max
	°C		m/s
■ ECOPUR	-30		
■ ECOPUR LD	-35		
■ G-ECOPUR	-30		
■ G-ECOPUR 54D	-30		
■ H-ECOPUR	-20	+110	
■ S-ECOPUR			
■ T-ECOPUR	-50		
■ X-ECOPUR	-30		4
■ X-ECOPUR H	-20		
■ X-ECOPUR S			
■ SKF Ecoflas	-10	+200	
■ SKF Ecorubber-H	-25	+150	
■ SKF Ecorubber-1	-30	+100	
■ SKF Ecorubber-2	-20	+200	
■ SKF Ecorubber-3	-50	+150	

IMPORTANT NOTE: The stated operating conditions represent general indications. It is recommended not to use all maximum values simultaneously.

¹⁾ Surface speed limit values are valid only in the presence of a lubrication film.