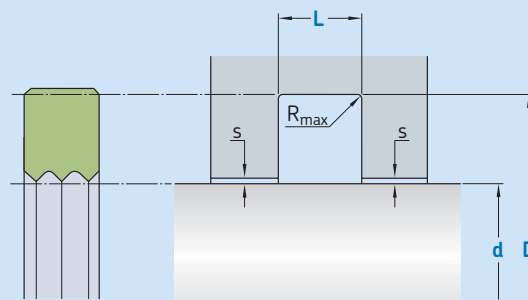


# R04-A



Ordering dimensions in **blue**

Surface roughness	$R_{tmax}$	$R_a$
<b>Sliding surface</b>	$\leq 2,5 \mu m$	$0,1-0,5 \mu m$
<b>Bottom of groove</b>	$\leq 6,3 \mu m$	$\leq 1,6 \mu m$
<b>Groove face</b>	$\leq 15 \mu m$	$\leq 3 \mu m$

Hardness: Min 45 HRC (55 HRC recommended), hardened depth  $> 0,3$  mm.  
Bearing area: 50–95% and a cutting depth of  $0,5 R_z$  based on  $C_{ref} = 0\%$

### Standard dimensions

$d^*$		$D$ H9	$L$ $+ 0,2$	$R_{max}$	$s$
over	incl.				
mm					
5	22	$d + 8$	4,5	0,2	e8/H9
22	36	$d + 10$	5,6	0,2	e8/H9
36	56	$d + 12$	5,6	0,2	e8/H9
56	85	$d + 15$	7,7	0,2	f7/H7
85	140	$d + 20$	9,2	0,2	f7/H7
140	200	$d + 25$	11,3	0,2	f7/H7
200	300	$d + 30$	13,5	0,2	f7/H7
300		$d + 40$	18,5	0,2	f7/H7

\* Tolerance area shaft  $\leq 56$  mm  $\rightarrow$  e8,  $> 56$  mm  $\rightarrow$  f7

### Ordering example

Profile  
 $d \times D \times L$  [mm]  
Sealing material

Rotary seal R04-A  
100 x 120 x 13  
ECOPUR

## Operating parameters

Material Seal	Temperature		Speed <sup>1)</sup>	Pressure <sup>2)</sup>
	from	to	max	max
–	°C		m/s	bar (MPa)
■ ECOPUR	–30		0,2	160 (16)
■ H-ECOPUR	–20	+110		
■ S-ECOPUR			0,3	
■ T-ECOPUR	–50			
■ SKF Ecoflas	–10	+200	0,2	100 (10)
■ SKF Ecorubber-H	–25	+150		
■ SKF Ecorubber-1	–30	+100		
■ SKF Ecorubber-2	–20	+200		
■ SKF Ecorubber-3	–50	+150		

IMPORTANT NOTE: The stated operating conditions represent general indications. It is recommended not to use all maximum values simultaneously.

<sup>1)</sup> Surface speed limit values are valid only in the presence of a lubrication film.

<sup>2)</sup> Pressure ratings depend on the size of the extrusion gap.