

@plitude Observer Relay Card

Part No. 32087300
Revision B

Installation Guide

Copyright © 2009 by SKF Reliability Systems
All rights reserved.
Aurorum 30, 977 75 Luleå
Sweden
Telephone: +46 (0) 920 758 00, Fax: +46 (0) 920 134 40



SKF Reliability Systems

SKF Condition Monitoring Center
Aurorum 30
977 75 Luleå
Sweden
Telephone +46 (0) 920 758 00
FAX +46 (0) 920 134 40

For technical support, contact:

TSG-EMEA@skf.com

or

TSG-Americas@skf.com for customers in North and South
America.

Visit us at our web site
www.skf.com/cm

SKF Patents include: #US05854553, #US05845230,
#US06489884, #US05679900, #US04768380,
#US06199422, #US05992237, #US06202491,
#US06513386, #US06275781, #US06633822,
#US06006164, #US2003_0178515A1, #US6,789,025,
#US6,789,360, #WO_03_048714A1
® SKF is a registered trademark of the SKF Group
011807kf

Table of Contents

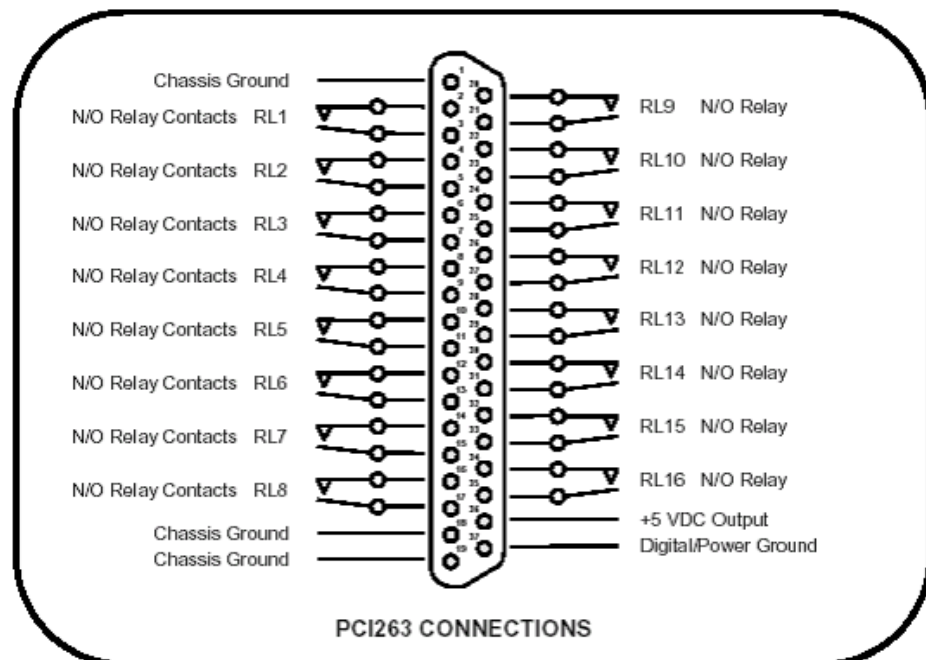
Relay cards	1 - 4
Installation of the card	1 - 4
Installation of the driver	1 - 5
Installation of the program components	1 - 7

Relay cards

In the *@ptitude Observer Monitor* computer you can install PCI based relay cards. The relay cards used with *@ptitude Observer* have 16 relays that you can configure in *@ptitude Observer*. The relay cards are called PCI 263.

Installation of the card

Install the card in an unused PCI socket. The picture below shows the connections for the card.



Further information regarding this card can be obtained from the PCI263 manual located in the *@ptitude Observer* CD\Extra\ampdio.

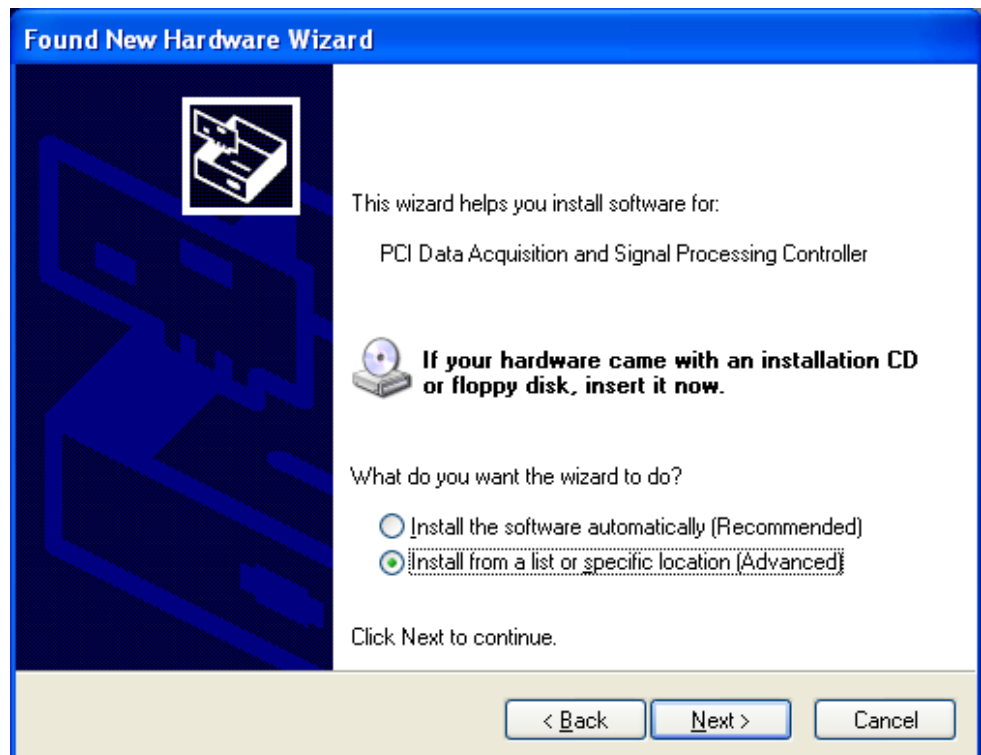
Installation of the driver

In order to install the driver for the card, follow the instructions below.

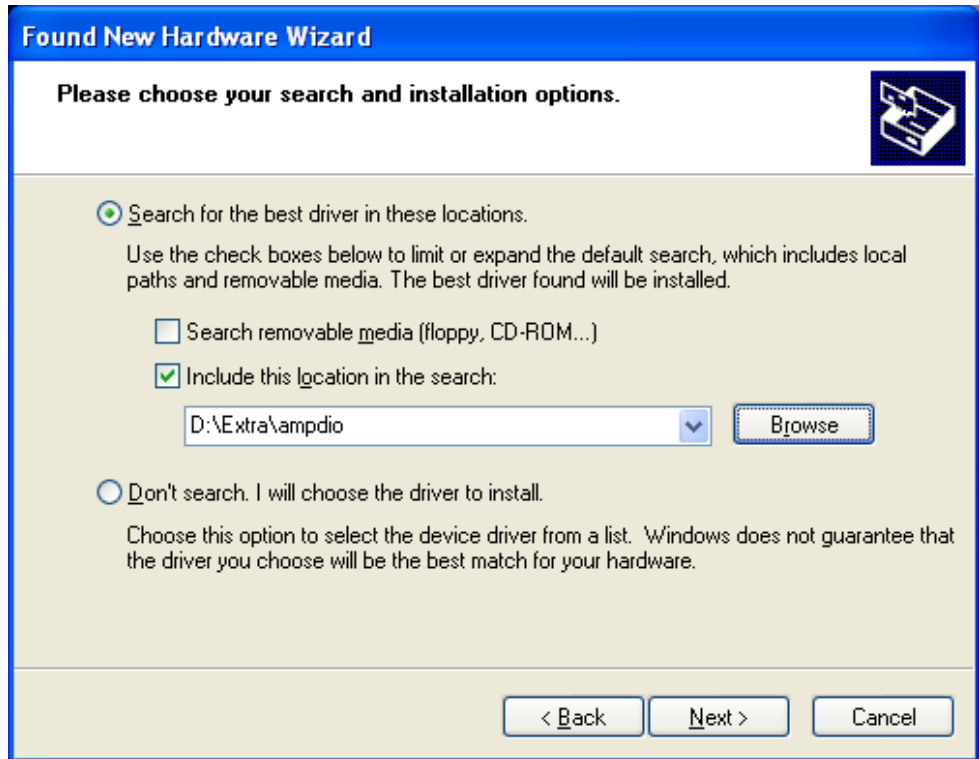
1. Make sure the relay card is correctly installed in the PC.
2. Start the PC, during start-up the operating system will detect the card and ask for drivers. Select **No, not this time** and press **Next**.



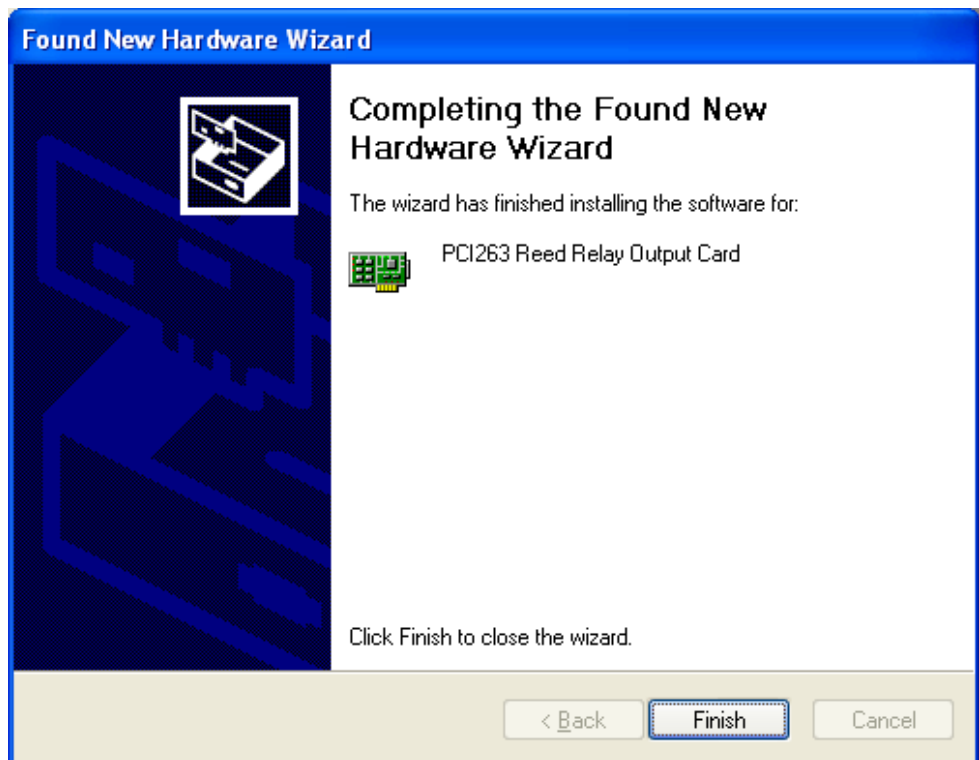
3. Select **Install from a list or specific location (Advanced)**, then press **Next**.



4. Check the box **Include this location in the search**, press the **Browse** button and select the folder [CD]:\Extra\ampdio. Press **Next** to continue.



5. The driver installation is now finished press the button **Finish**.

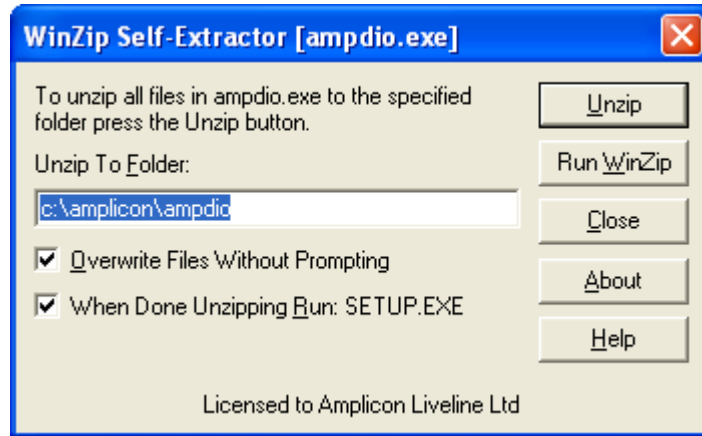


The *@ptitude Observer Monitor* software needs some components in order to handle the card. The installation of those components is described in the next section, [Installation of the program components](#).

Installation of the program components

The software uses some components that need to be installed. Please follow the instructions below.

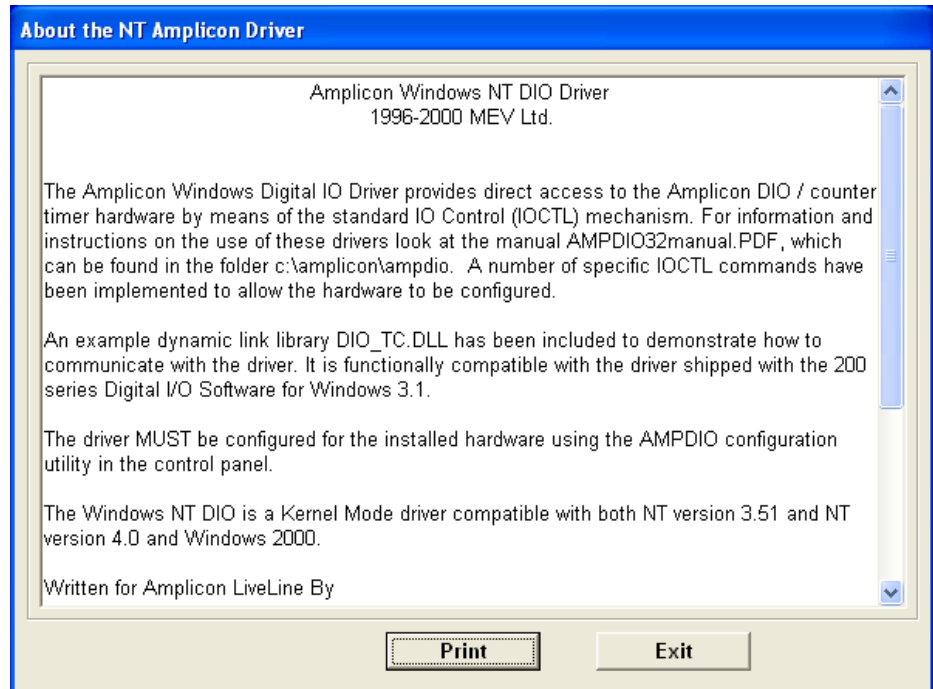
1. Select **Start-Run** and browse to the file [CD]:\Extra\amplicon\ampdio.exe. Press the button **Unzip**.



2. Press the button **Proceed**.



3. Press **Exit** to complete the installation.



The instructions on how to configure the use of this card is found in the *@ptitude Observer User Manual*.