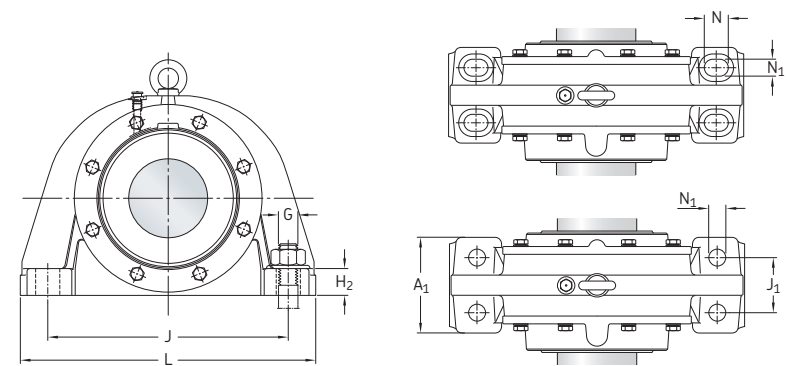
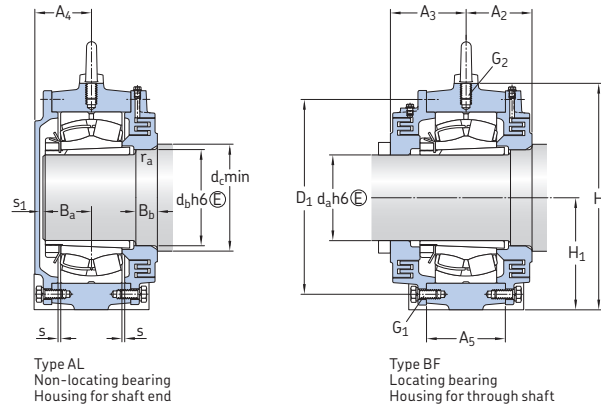


10.2 SBD plummer block housings for bearings on an adapter sleeve and a stepped shaft d_a 90 – 150 mm



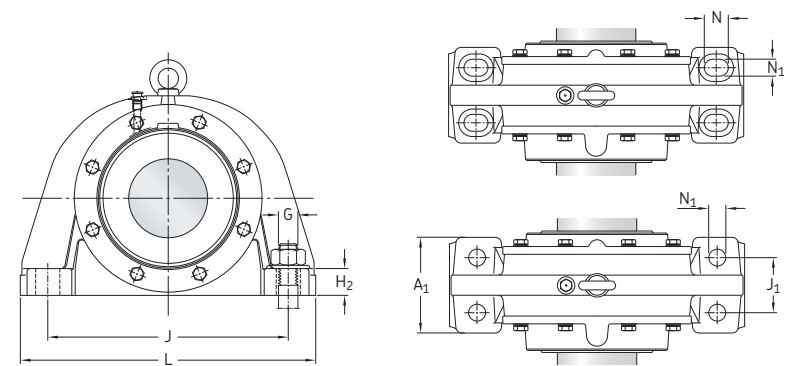
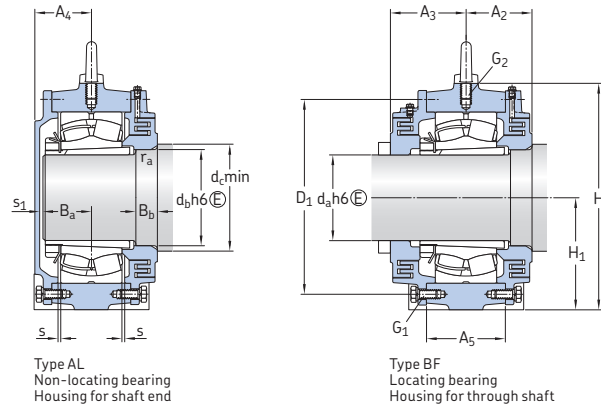
Shaft diam. d _a	Housing	Appropriate parts Bearing ¹⁾	Adapter sleeve ²⁾	Dimensions Housing									
				A ₁	A ₂	A ₃	A ₄	A ₅	D ₁	H	H ₁	H ₂	J
90	SBDD 2220 C	22220 EK	H 320	110	70	85	63	56	195	230	115	35	300
100	SBDD 3122 C	23122 CCK/W33	H 3122	150	81	102	83	80	215	270	130	40	300
	SBDD 2222 C	22222 EK	H 322	120	78	90	68	64	215	260	130	38	340
	SBDD 3222 C	23222 CCK/W33	H 2322	130	91	103	76	90	230	285	140	42	350
110	SBDD 3024 C	23024 CCK/W33	H 3024	110	63	83	63	56	195	230	115	35	300
	SBDD 3124 C	23124 CCK/W33	H 3124	140	76	93	78	85	230	285	140	40	330
	SBDD 2224 C	22224 EK	H 3124	130	80,5	95,5	68	70	230	275	140	40	360
	SBDD 3224 C	23224 CCK/W33	H 2324	140	93	108	78	95	245	305	150	42	370
115	SBDD 3026 C	23026 CCK/W33	H 3026	120	68	88	68	64	215	260	130	38	340
	SBDD 3126 C	23126 CCK/W33	H 3126	140	80	100	80	90	240	295	145	40	350
	SBDD 2226 C	22226 EK	H 3126	140	88	98	70	70	245	290	145	42	370
	SBDD 3226 C	23226 CCK/W33	H 2326	150	103	108	78	100	260	325	160	45	400
125	SBDD 3028 C	23028 CCK/W33	H 3028	130	68	88	68	70	230	275	140	40	360
	SBDD 3128 C	23128 CCK/W33	H 3128	150	85	110	85	95	260	315	155	45	380
	SBDD 2228 C	22228 CCK/W33	H 3128	160	94	104	83	82	275	330	165	50	420
	SBDD 3228 C	23228 CCK/W33	H 2328	160	108	118	88	110	285	350	170	50	430
135	SBDD 3030 C	23030 CCK/W33	H 3030	140	73	94	70	76	245	290	145	42	370
	SBDD 3130 C	23130 CCK/W33	H 3130	200	93	113	93	102	285	345	170	60	450
	SBDD 2230 C	22230 CCK/W33	H 3130	170	98	108	88	90	300	360	180	52	450
	SBDD 3230 C	23230 CCK/W33	H 2330	170	113	123	93	120	305	375	180	54	450
140	SBDD 3032 C	23032 CCK/W33	H 3032	150	78	98	76	76	260	310	155	45	390
	SBDD 3132 C	23132 CCK/W33	H 3132	200	98	123	98	110	310	368	180	55	430
	SBDD 2232 C	22232 CCK/W33	H 3132	180	101	116	88	96	315	370	185	55	480
	SBDD 3232 C	23232 CCK/W33	H 2332	180	118	133	98	130	330	395	190	58	490
150	SBDD 3034 C	23034 CCK/W33	H 3034	160	78	103	83	82	280	330	165	50	420
	SBDD 3134 C	23134 CCK/W33	H 3134	200	113	136	112	120	330	395	190	60	470
	SBDD 2234 C	22234 CCK/W33	H 3134	190	112,5	127,5	97	104	335	400	200	60	510
	SBDD 3234 C	23234 CCK/W33	H 2334	200	128	143	103	135	345	410	200	62	525

Shaft diam. d _a	Dimensions Housing							Eye bolt acc. to DIN 580 G ₂	Dimensions Shaft abutment and fillet					Mass Housing type		
	J ₁	L	N	N ₁	s	G	G ₁		B _a	B _b	d _b	d _c min	r _a	s ₁	A	B
90	60	370	-	24	2	20	M8	M12	45	35	102	115	4	11	23	25
100	80	400	35	25	2	20	M12	M12	52	30	112	125	4	25	40	45
	60	410	-	24	2	20	M8	M12	50	35	112	125	4	11	37	40
	70	440	35	30	2	24	M12	M16	60	32	112	125	4	9	46	50
110	60	370	-	24	2	20	M8	M12	48	25	122	135	4	8	19	20
	80	410	35	25	2	20	M12	M12	56	30	122	135	4	13	45	50
	70	430	-	28	3	24	M8	M12	55	35	122	135	4	6	43	46
	75	470	35	30	2	24	M12	M16	64	32	122	135	4	7	50	55
115	60	410	-	24	2	20	M8	M12	52	25	132	150	6	9	28	30
	80	430	35	25	2	20	M12	M12	58	30	132	150	6	15	50	55
	80	455	-	28	3	24	M10	M12	57	40	132	150	6	5	52	56
	85	500	40	30	2	24	M12	M16	66	35	132	150	6	5	60	65
125	70	430	-	28	3	24	M8	M12	54	25	142	160	6	7	32	35
	85	470	35	25	2	24	M12	M12	62	30	142	160	6	16	58	65
	95	510	-	35	3	30	M10	M12	62	40	142	160	6	13	65	70
	85	530	40	30	2	24	M16	M20	72	35	142	160	6	9	74	80
135	80	455	-	28	3	24	M10	M12	56	25	152	170	6	6	37	40
	110	580	45	35	3	24	M12	M16	70	30	152	170	6	15	78	85
	100	540	-	35	3	30	M12	M16	66	40	152	170	6	14	77	82
	90	550	45	35	3	30	M16	M20	78	40	152	170	6	7	87	95
140	90	480	-	28	3	24	M10	M12	62	30	162	185	8	6	41	45
	110	540	40	30	3	24	M16	M12	75	30	162	185	8	15	90	100
	105	570	-	35	3	30	M16	M12	72	40	162	185	8	8	90	96
	105	600	45	35	3	30	M16	M20	84	40	162	185	8	6	100	110
150	95	510	-	35	4	30	M10	M12	66	30	172	195	8	9	50	55
	110	570	45	35	3	30	M12	M20	78	40	172	195	8	26	100	110
	110	600	-	35	4	30	M12	M16	75	45	172	195	8	14	103	110
	110	640	45	35	3	30	M16	M20	88	40	172	195	8	7	130	140

¹⁾ Only typical bearings are listed. Other bearing variants can also fit the housing.
²⁾ Only typical adapter sleeves are listed. Other variants can also fit the housing.

10.2 SBD plummer block housings for bearings on an adapter sleeve and a stepped shaft

d_a 160 – 260 mm

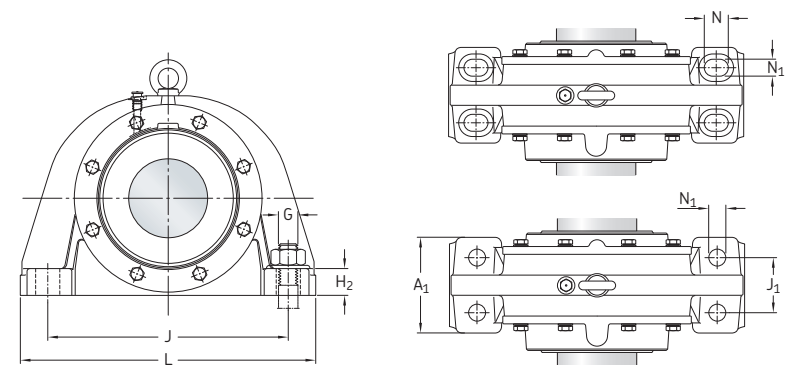
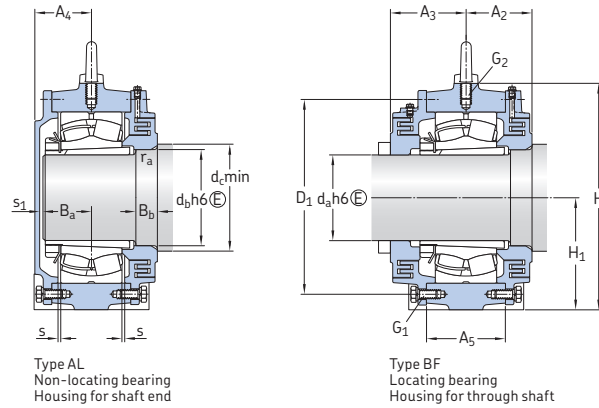


Shaft diam. d_a	Housing	Appropriate parts Bearing ¹⁾	Adapter sleeve ²⁾	Dimensions Housing									
				A_1	A_2	A_3	A_4	A_5	D_1	H	H_1	H_2	J
mm	-	-		mm									
160	SBDD 3036 C	23036 CCK/W33	H 3036	170	83	108	88	90	305	360	180	52	450
	SBDD 3136 C	23136 CCK/W33	H 3136	200	118	138	116	125	350	410	200	60	490
	SBDD 2236 C	22236 CCK/W33	H 3136	200	118	133	102	110	360	430	215	65	540
	SBDD 3236 C	23236 CCK/W33	H 2336	210	133	148	108	140	360	430	210	65	550
170	SBDD 3038 C	23038 CCK/W33	H 3038	180	93	118	88	96	315	370	185	55	480
	SBDD 3138 C	23138 CCK/W33	H 3138	210	123	143	120	130	370	435	210	65	550
	SBDD 2238 C	22238 CCK/W33	H 3138	200	118	133	102	110	370	430	215	65	540
	SBDD 3238 C	23238 CCK/W33	H 2338	220	138	153	113	150	385	455	220	75	560
180	SBDD 3040 C	23040 CCK/W33	H 3040	190	97	122	97	104	340	400	200	60	510
	SBDD 3140 C	23140 CCK/W33	H 3140	220	127	147	127	135	380	455	220	85	560
	SBDD 2240 C	22240 CCK/W33	H 3140	210	122	134,5	107	118	390	450	225	70	560
	SBDD 3240 C	23240 CCK/W33	H 2340	240	138	158	118	165	405	475	235	75	640
200	SBDD 3044 C	23044 CCK/W33	OH 3044 HB	200	102	137	102	110	370	430	215	65	540
	SBDD 3144 C	23144 CCK/W33	OH 3144 HB	230	135	160	135	150	420	485	235	75	640
	SBDD 2244 C	22244 CCK/W33	OH 3144 HB	220	124,5	159,5	117	128	435	500	250	75	600
	SBDD 3244 C	23244 CCK/W33	OH 2344 HB	250	148	183	133	175	445	525	260	80	700
220	SBDD 3048 C	23048 CCK/W33	OH 3048 HB	210	102	142	107	118	390	450	225	70	560
	SBDD 3148 C	23148 CCK/W33	OH 3148 HB	250	152	182	142	160	455	550	270	80	720
	SBDD 2248 C	22248 CCK/W33	OH 3148 HB	250	130	165	132	144	490	570	285	85	690
	SBDD 3248 C	23248 CCK/W33	OH 2348 HB	250	148	188	148	190	490	590	290	90	750
240	SBDD 3052 C	23052 CCK/W33	OH 3052 HB	220	107	147	117	128	435	500	250	75	600
	SBDD 3152 C	23152 CCK/W33	OH 3152 HB	250	152	187	152	175	490	590	290	90	750
	SBDD 2252 C	22252 CCK/W33	OH 3152 HB	260	145	182,5	137	154	520	590	295	90	730
	SBDD 3252 C	23252 CCK/W33	OH 2352 HB	290	167	208	158	205	535	625	310	95	800
260	SBDD 3056 C	23056 CCK/W33	OH 3056 HB	240	117	157	122	128	455	520	260	80	630
	SBDD 3156 C	23156 CCK/W33	OH 3156 HB	250	157	197	165	175	510	590	290	90	750
	SBDD 2256 C	22256 CCK/W33	OH 3156 HB	270	152	192	147	158	555	630	315	95	770
	SBDD 3256 C	23256 CCK/W33	OH 2356 HB	300	178	218	163	210	555	645	320	100	840

Shaft diam. d_a	Dimensions Housing							Eye bolt acc. to DIN 580 G_2	Dimensions Shaft abutment and fillet						Mass Housing type A B	
	J_1	L	N	N_1	s	G	G_1		B_a	B_b	d_b	d_c min	r_a	s_1	kg	
mm	mm								mm					kg		
160	100	540	-	35	3	30	M12	M16	70	30	182	205	8	10	64	70
	105	600	45	35	3	30	M16	M20	82	40	182	205	8	26	118	130
	115	640	-	42	4	36	M16	M20	78	45	182	205	8	14	112	120
	120	680	45	35	3	30	M16	M20	90	45	182	205	8	10	147	160
170	105	570	-	35	3	30	M12	M16	72	30	192	215	8	8	74	80
	120	680	45	35	3	36	M16	M20	88	40	192	215	8	22	146	160
	115	640	-	42	4	36	M16	M20	82	45	192	215	8	10	126	135
	120	710	45	35	4	30	M16	M20	95	45	192	215	8	10	170	185
180	110	600	-	35	4	30	M12	M16	78	35	202	225	8	11	83	90
	120	710	52	42	3	36	M16	M24	95	40	202	225	8	22	175	190
	120	680	-	42	4	36	M16	M20	85	45	202	225	8	12	145	155
	140	780	52	42	4	36	M16	M24	100	45	202	225	8	10	200	220
200	115	640	-	42	4	36	M16	M20	80	35	222	245	8	12	107	115
	140	780	52	42	4	36	M16	M24	100	45	222	245	8	25	205	220
	130	720	-	42	4	36	M16	M20	95	45	222	245	8	10	187	200
	140	850	52	42	4	36	M20	M24	112	45	222	245	8	11	270	290
220	120	680	-	42	4	36	M16	M20	85	35	242	265	8	12	120	130
	140	890	52	42	4	36	M20	M24	106	50	242	265	8	26	250	270
	150	820	-	42	5	36	M20	M24	105	45	242	265	8	15	235	250
	140	900	52	42	5	36	M20	M24	122	45	242	265	8	16	345	370
240	130	720	-	42	4	36	M16	M20	92	35	262	285	8	13	153	165
	140	900	52	42	4	36	M20	M24	118	50	262	285	8	24	300	320
	160	860	-	42	5	36	M20	M24	110	50	262	285	8	13	290	310
	160	960	65	42	5	36	M20	M24	132	45	262	285	8	16	435	470
260	140	760	-	42	5	36	M16	M20	96	35	282	305	8	14	177	190
	140	900	65	42	5	36	M24	M24	120	50	282	305	8	35	325	350
	170	900	-	42	5	36	M20	M24	115	50	282	305	8	18	330	350
	170	1000	65	42	5	36	M24	M30	135	50	282	305	8	16	490	530

¹⁾ Only typical bearings are listed. Other bearing variants can also fit the housing.
²⁾ Only typical adapter sleeves are listed. Other variants can also fit the housing.

10.2 SBD plummer block housings for bearings on an adapter sleeve and a stepped shaft d_a 280 – 400 mm



Shaft diam. d _a	Housing	Appropriate parts Bearing ¹⁾	Adapter sleeve ²⁾	Dimensions Housing									
				A ₁	A ₂	A ₃	A ₄	A ₅	D ₁	H	H ₁	H ₂	J
mm	-	-		mm									
280	SBDD 3060 C	23060 CCK/W33	OH 3060 HB	250	122	167	132	144	500	570	285	85	690
	SBDD 3160 C	23160 CCK/W33	OH 3160 HB	300	162	207	167	190	550	655	320	100	840
	SBDD 2260 C	22260 CCK/W33	OH 3160 HB	280	160	191	152	168	585	660	330	100	820
	SBDD 3260 C	23260 CCK/W33	OH 2360 HB	330	182	222	187	230	600	705	350	105	920
300	SBDD 3064 C	23064 CCK/W33	OH 3064 HB	260	122	172	137	154	520	590	295	90	730
	SBDD 3164 C	23164 CCK/W33	OH 3164 HB	300	177	212	187	210	590	702	350	100	940
	SBDD 2264 C	22264 CCK/W33	OH 3164 HB	320	175	202	167	180	640	720	360	110	900
	SBDD 3264 C	23264 CCK/W33	OH 2364 HB	360	192	237	187	250	640	760	370	115	960
320	SBDD 3068 C	23068 CCK/W33	OH 3068 HB	270	132	177	147	158	565	630	315	95	770
	SBDD 3168 C	23168 CCK/W33	OH 3168 HB	360	197	242	237	220	630	735	370	115	960
	SBDD 3268 C	23268 CAK/W33	OH 3268 HB	380	202	272	237	265	680	810	390	125	980
340	SBDD 3072 C	23072 CCK/W33	OH 3072 HB	280	132	182	152	168	585	660	330	100	820
	SBDD 3172 C	23172 CCK/W33	OH 3172 HB	370	197	247	243	225	650	760	380	115	1000
	SBDD 3272 C	23272 CAK/W33	OH 3272 HB	400	227	282	247	275	710	825	410	130	1040
360	SBDD 3076 C	23076 CCK/W33	OH 3076 HB	300	137	187	157	168	605	680	340	105	840
	SBDD 3176 C	23176 CAK/W33	OH 3176 HB	380	202	257	254	230	680	790	390	125	1000
	SBDD 3276 C	23276 CAK/W33	OH 3276 HB	405	232	297	257	295	745	880	425	135	1100
380	SBDD 3080 C	23080 CCK/W33	OH 3080 HB	320	142	202	167	180	650	720	360	110	900
	SBDD 3180 C	23180 CAK/W33	OH 3180 HB	400	197	262	247	235	710	845	410	130	1040
	SBDD 3280 C	23280 CAK/W33	OH 3280 HB	450	242	307	257	300	790	905	450	145	1160
400	SBDD 3084 C	23084 CAK/W33	OH 3084 HB	340	147	202	167	180	670	750	375	115	940
	SBDD 3184 C	23184 CKJ/W33	OH 3184 HB	420	212	289	257	260	760	900	450	135	1100
	SBDD 3284 C	23284 CAK/W33	OH 3284 HB	470	252	317	267	315	835	955	470	150	1220

Shaft diam. d _a	Dimensions Housing							Eye bolt acc. to DIN 580 G ₂	Dimensions Shaft abutment and fillet					Mass Housing type		
	J ₁	L	N	N ₁	s	G	G ₁		B _a	B _b	d _b	d _c min	r _a	s ₁	A	B
mm	mm								mm						kg	
280	150	820	-	42	5	36	M 20	M 24	105	35	302	325	8	15	215	230
	170	1000	65	42	5	36	M 24	M 30	125	50	302	325	8	32	400	430
	180	960	-	42	5	36	M 20	M 24	120	50	302	325	8	17	400	430
	180	1100	75	56	6	48	M 24	M 30	142	50	302	325	8	33	590	640
300	160	860	-	42	5	36	M 20	M 24	108	35	322	345	8	15	240	255
	160	1150	65	42	5	36	M 24	M 30	135	50	322	345	8	40	490	530
	200	1060	-	56	5	48	M 24	M 30	125	55	322	345	8	26	485	520
	200	1150	75	56	6	48	M 24	M 30	152	50	322	345	8	21	700	760
320	170	900	-	42	6	36	M 20	M 24	120	40	342	365	8	13	280	305
	200	1150	75	56	6	48	M 24	M 30	155	60	342	365	8	70	590	630
	200	1200	75	60	6	56	M 24	M 36	175	50	342	365	8	47	830	900
340	180	960	-	42	6	36	M 20	M 24	120	40	362	385	8	17	315	340
	200	1200	75	56	6	48	M 24	M 30	160	60	362	385	8	67	660	700
	210	1280	80	68	7	64	M 24	M 36	180	70	362	385	8	51	950	1020
360	190	1000	-	56	6	48	M 20	M 24	124	40	382	405	8	17	350	380
	200	1200	75	60	6	56	M 30	M 30	165	60	382	405	8	73	730	770
	225	1350	85	68	7	64	M 30	M 36	186	70	382	405	8	55	1060	1140
380	200	1060	-	56	6	48	M 24	M 30	134	40	402	425	8	17	420	450
	210	1280	80	68	7	64	M 30	M 36	170	60	402	425	8	61	820	870
	240	1430	85	68	7	64	M 30	M 36	196	70	402	425	8	45	1240	1330
400	210	1100	-	56	6	48	M 24	M 30	135	40	422	445	8	16	465	500
	210	1350	85	68	7	64	M 30	M 36	190	60	422	445	8	51	1000	1070
	255	1500	90	72	8	64	M 30	M 36	212	70	422	445	8	39	1500	1600

¹⁾ Only typical bearings are listed. Other bearing variants can also fit the housing.
²⁾ Only typical adapter sleeves are listed. Other variants can also fit the housing.