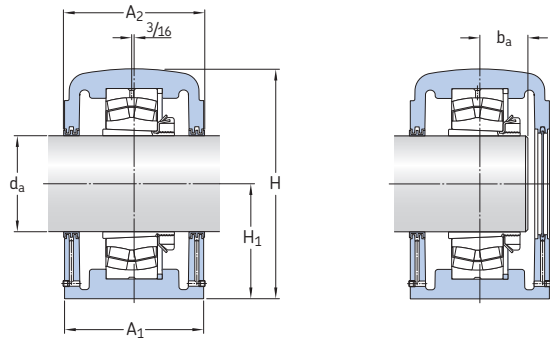


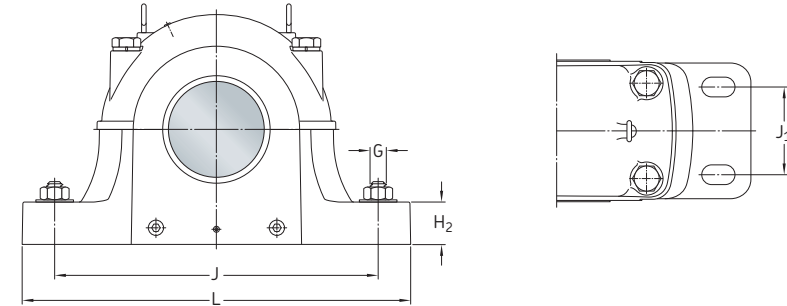
9.1 SDAF pillow blocks with spherical roller bearings on an adapter sleeve

Series SDAF 225(00), 226(00)

d_a 2 15/16 – 7 15/16 in.



Units of measurement
In this chapter only imperial units are used. To convert imperial units to metric units, refer to the conversion table on page 10.



| Shaft diameter | | Complete pillow block | Components Pillow block housing | Bearing ²⁾ | Adapter assembly | Stabilizing ring ³⁾ (1 incl.) | Labyrinth ring (2 incl.) | Mass |
|----------------|------------------------|---|------------------------------------|--------------------------------|-------------------|---|-----------------------------|------------|
| Standard | Optional ¹⁾ | | | | | | | |
| d_a | | | | | | | | |
| in. | | lb. | | | | | | |
| 2 15/16 | 2 13/16, 2 7/8, 3 | SDAF 22617 | SDAF 617 | 22317 EK | SNW 117 | SR 20-17 | LER 59 | 84 |
| 3 7/16 | 3 5/16, 3 3/8, 3 1/2 | SDAF 22520 SDAF 22620 | SDAF 520 SDAF 620 | 22220 EK 22320 EK | SNW 20 SNW 120 | SR 20-17 SR 24-20 | LER 75 LER 75 | 96 164 |
| 3 15/16 | 3 13/16, 3 7/8, 4 | SDAFS 22522 ⁴⁾ SDAF 22622 | SDAFS 522 SDAF 622 | 22222 EK 22322 EK | SNW 22 SNW 122 | SR 22-19 SR 0-22 | LER 93 LER 93 | 105 178 |
| 4 3/16 | 4 1/16, 4 1/8, 4 1/4 | SDAF 22524 SDAF 22624 | SDAF 524 SDAF 624 | 22224 EK 22324 CCK/W33 | SNW 24 SNW 124 | SR 24-20 SR 0-24 | LOR 113 LOR 113 | 125 272 |
| 4 7/16 | 4 5/16, 4 3/8, 4 1/2 | SDAF 22526 SDAF 22626 | SDAF 526 SDAF 626 | 22226 EK 22326 CCK/W33 | SNW 26 SNW 126 | SR 26-0 SR 0-26 | LOR 117 LOR 117 | 199 340 |
| 4 15/16 | 4 13/16, 4 7/8, 5 | SDAFS 22528 ⁴⁾ | SDAFS 528 | 22228 CCK/W33 | SNW 28 | SR 28-0 | LOR 122 | 220 |
| 5 3/16 | 5 1/8, 5 1/4 | SDAF 22530 | SDAF 530 | 22230 CCK/W33 | SNW 30 | SR 30-0 | LOR 125 | 259 |
| 5 7/16 | 5 3/8, 5 1/2 | SDAF 22532 SDAF 22632 | SDAF 532 SDAF 632 | 22232 CCK/W33 22332 CCK/W33 | SNW 32 SNW 132 | SR 32-0 SR 38-32 | LOR 130 LER 211 | 330 455 |
| 5 15/16 | 5 13/16, 5 7/8, 6 | SDAF 22634 | SDAF 634 | 22334 CCK/W33 | SNW 134 | SR 40-34 | LER 215 | 530 |
| 6 7/16 | 6 5/16, 6 3/8, 6 1/2 | SDAF 22536 | SDAF 536 | 22236 CCK/W33 | SNW 36 | SR 36-30 | LOR 148 | 403 |
| 6 7/16 | 6 5/16, 6 3/8, 6 1/2 | SDAF 22636 | SDAF 636 | 22336 CCK/W33 | SNW 136 | SR 0-36 | LER 220 | 630 |
| 6 15/16 | 6 13/16, 6 7/8, 7 | SDAF 22538 SDAF 22638 | SDAF 538 SDAF 638 | 22238 CCK/W33 22338 CCK/W33 | SNW 38 SNW 138 | SR 38-32 SR 44-38 | LER 224 LER 224 | 454 792 |
| 7 3/16 | 7 1/8, 7 1/4 | SDAF 22540 | SDAF 540 | 22240 CCK/W33 | SNW 40 | SR 40-34 | LER 228 | 544 |
| 7 15/16 | 7 13/16, 7 7/8, 8 | SDAF 22544 | SDAF 544 | 22244 CCK/W33 | SNW 44 | SR 44-38 | LER 236 | 795 |

| Complete pillow block Designation | Dimensions | | | | | | | | | | |
|--------------------------------------|----------------|------------------|-------------------|-------------------|------------------|----------------|------------------|------------------|----------------|------------------|----------------|
| | A ₁ | A ₂ | b _a | H | H ₁ | H ₂ | J _{min} | J _{max} | J ₁ | L | G |
| | in. | | | | | | | | | | |
| SDAF 22617 | 6 | 6 3/4 | 2 1/16 | 8 15/16 | 4 1/2 | 1 7/8 | 11 5/8 | 13 1/8 | 3 3/8 | 15 1/4 | 3/4 |
| SDAF 22520 SDAF 22620 | 6 6 7/8 | 6 3/4 7 3/8 | 1 59/64 2 7/16 | 8 15/16 10 1/2 | 4 1/2 5 1/4 | 1 7/8 2 1/4 | 11 5/8 13 1/4 | 13 1/8 14 1/2 | 3 3/8 4 1/8 | 15 1/4 16 1/2 | 3/4 7/8 |
| SDAFS 22522 SDAF 22622 | 6 3/4 7 1/2 | 7 1/4 8 | 2 1/8 2 5/8 | 9 7/8 11 7/8 | 4 15/16 6 | 2 1/8 2 3/8 | 12 5/8 14 5/8 | 14 1/2 16 | 4 4 1/2 | 16 1/2 18 3/8 | 7/8 1 |
| SDAF 22524 SDAF 22624 | 6 7/8 7 7/8 | 7 3/8 8 3/8 | 2 9/32 2 13/16 | 10 1/2 12 9/16 | 5 1/4 6 5/16 | 2 1/4 2 1/2 | 13 1/4 17 | 14 1/2 18 1/4 | 4 1/8 4 3/4 | 16 1/2 21 1/4 | 7/8 1 1/8 |
| SDAF 22526 SDAF 22626 | 7 1/2 8 1/4 | 8 8 3/4 | 2 15/32 3 | 11 7/8 13 7/16 | 6 6 11/16 | 2 3/8 2 1/2 | 14 5/8 17 3/8 | 16 19 1/4 | 4 1/2 5 | 18 3/8 22 | 1 1 1/8 |
| SDAFS 22528 | 7 1/2 | 7 13/16 | – | 12 1/16 | 6 | 2 3/8 | 16 | 17 1/8 | 4 1/2 | 20 1/8 | 1 1/8 |
| SDAF 22530 | 7 7/8 | 8 3/8 | 2 49/64 | 12 9/16 | 6 5/16 | 2 1/2 | 17 | 18 1/4 | 4 3/4 | 21 1/4 | 1 1/8 |
| SDAF 22532 SDAF 22632 | 8 1/4 10 | 8 3/4 10 5/8 | 2 31/32 3 5/8 | 13 7/16 16 | 6 11/16 7 7/8 | 2 1/2 3 | 17 3/8 21 1/2 | 19 1/4 23 1/2 | 5 6 1/4 | 22 27 5/8 | 1 1/8 1 3/8 |
| SDAF 22634 | 10 1/2 | 11 1/8 | 3 3/4 | 16 7/8 | 8 1/4 | 3 1/4 | 23 | 25 | 6 3/4 | 28 3/4 | 1 3/8 |
| SDAF 22536 | 9 3/8 | 10 | 3 9/64 | 15 3/16 | 7 1/2 | 2 3/4 | 20 7/8 | 23 5/8 | 5 7/8 | 26 3/4 | 1 1/4 |
| SDAF 22636 | 10 3/4 | 11 3/8 | 3 15/16 | 17 15/16 | 8 7/8 | 3 1/4 | 24 1/8 | 26 3/8 | 6 7/8 | 30 1/2 | 1 1/2 |
| SDAF 22538 SDAF 22638 | 10 11 1/4 | 10 5/8 11 7/8 | 3 19/64 4 1/16 | 16 19 | 7 7/8 9 1/2 | 3 3 1/2 | 21 1/2 25 5/8 | 23 1/2 27 7/8 | 6 1/4 7 1/4 | 27 5/8 32 | 1 3/8 1 1/2 |
| SDAF 22540 | 10 1/2 | 11 1/8 | 3 1/2 | 16 7/8 | 8 1/4 | 3 1/4 | 23 | 25 | 6 3/4 | 28 3/4 | 1 3/8 |
| SDAF 22544 | 11 1/4 | 11 7/8 | 3 5/8 | 19 | 9 1/2 | 3 1/2 | 25 5/8 | 27 7/8 | 7 1/4 | 32 | 1 1/2 |

¹⁾ Optional shaft diameters require different adapter sleeve and seals.

²⁾ Optional internal radial clearance (e.g. C3) available on request.

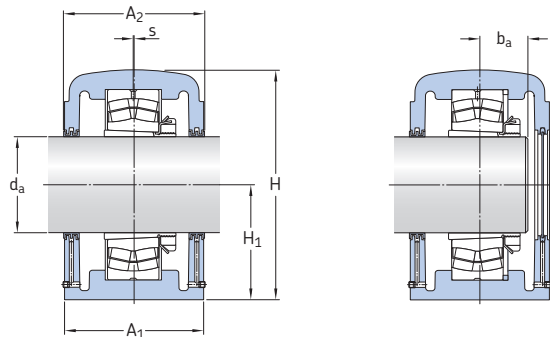
³⁾ For a free unit, discard the enclosed stabilizing ring.

⁴⁾ Available only in steel.

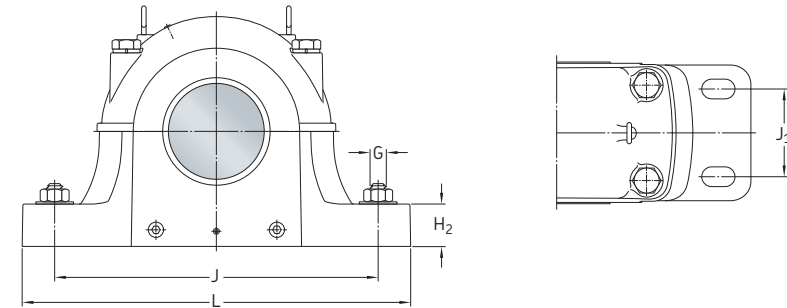
9.3 Extended range pillow blocks with spherical roller bearings on an adapter sleeve

Series SDAF 230(00) KA, 231(00) KA, 232(00) KA

d_a 8 ¹⁵/₁₆ – 14 ¹⁵/₁₆ in.



Units of measurement
In this chapter only imperial units are used. To convert imperial units to metric units, refer to the conversion table on page 10.

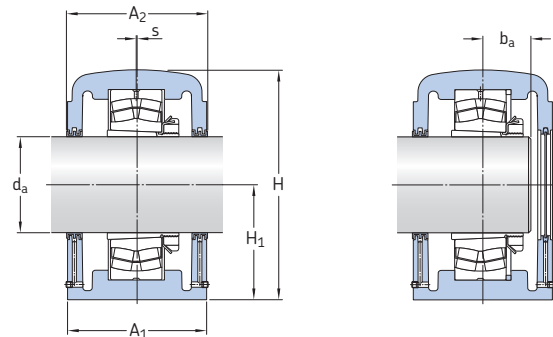


| Shaft diameter Stand- ard d_a | Op- tional ¹⁾ | Complete pillow block Designation | Components Pillow block housing | Bearing ²⁾ | Adapter assembly | Stabilizing ring ³⁾ (2 req'd) | Laby- rinth ring (2 incl.) | Dimensions | | | | | | | | | | Mass | | |
|--|--------------------------------|--|---|---|---|--|-------------------------------------|--|--|--|---|---|--|---|--|--|--|--|---|----------------------|
| | | | | | | | | A ₁ | A ₂ | S | b _a | H | H ₁ | H ₂ | J _{min} | J _{max} | J ₁ | | L | G |
| in. | - | - | - | - | - | - | - | in. | | | | | | | | | | lb. | | |
| 8 ¹⁵ / ₁₆ | 9 | SDAF 23248 KA x 8 ¹⁵ / ₁₆ | SDAF 3248 KA x 8 ¹⁵ / ₁₆ | 23248 CACK/W33 | SNP 148 x 8 ¹⁵ / ₁₆ | 36053-114 | ERF 914 | 13 ¹ / ₈ | 13 ³ / ₄ | 0 | 4 ⁷ / ₈ | 20 ⁷ / ₈ | 10 ¹ / ₄ | 3 ³ / ₄ | 29 | 30 ¹ / ₂ | 8 ³ / ₄ | 35 | 1 ⁵ / ₈ | 1100 |
| 9 ⁷ / ₁₆ | 9 ¹ / ₂ | SDAF 23152 KA x 9 ⁷ / ₁₆ SDAF 23252 KA x 9 ⁷ / ₁₆ | SDAF 3152 KA x 9 ⁷ / ₁₆ SDAF 3252 KA x 9 ⁷ / ₁₆ | 23152 CACK/W33 23252 CACK/W33 | SNP 3152 x 9 ⁷ / ₁₆ SNP 152 x 9 ⁷ / ₁₆ | 36053-114 A 8968 | ERF 891 ERF 891 | 13 ¹ / ₈ 14 ³ / ₄ | 13 ³ / ₄ 15 ¹ / ₂ | 0 0 | 4 ⁵ / ₈ 5 ⁷ / ₃₂ | 20 ⁷ / ₈ 23 ⁷ / ₁₆ | 10 ¹ / ₄ 12 | 3 ³ / ₄ 4 | 29 32 ³ / ₄ | 30 ¹ / ₂ 33 ¹ / ₂ | 8 ³ / ₄ 9 | 35 38 ¹ / ₄ | 1 ⁵ / ₈ 1 ⁵ / ₈ | 1050 1350 |
| 10 ⁷ / ₁₆ | 10 ¹ / ₂ | SDAF 23156 KA x 10 ⁷ / ₁₆ SDAF 23256 KA x 10 ⁷ / ₁₆ | SDAF 3156 KA x 10 ⁷ / ₁₆ SDAF 3256 KA x 10 ⁷ / ₁₆ | 23156 CACK/W33 23256 CACK/W33 | SNP 3156 x 10 ⁷ / ₁₆ SNP 3256 x 10 ⁷ / ₁₆ | A 8967 36053-157 | ERF 973 ERF 973 | 14 ³ / ₄ 14 ³ / ₄ | 15 ¹ / ₂ 15 ¹ / ₂ | 0 0 | 4 ²⁵ / ₃₂ 5 ¹¹ / ₃₂ | 23 ⁷ / ₁₆ 23 ⁷ / ₁₆ | 12 12 | 4 4 | 32 ³ / ₄ 32 ³ / ₄ | 33 ¹ / ₂ 33 ¹ / ₂ | 9 9 | 38 ¹ / ₄ 38 ¹ / ₄ | 1 ⁵ / ₈ 1 ⁵ / ₈ | 1250 1400 |
| 10 ¹⁵ / ₁₆ | 11 | SDAF 23060 KA x 10 ¹⁵ / ₁₆ SDAF 23160 KA x 10 ¹⁵ / ₁₆ | SDAF 3060 KA x 10 ¹⁵ / ₁₆ SDAF 3160 KA x 10 ¹⁵ / ₁₆ | 23060 CACK/W33 23160 CACK/W33 | SNP 3060 x 10 ¹⁵ / ₁₆ SNP 3160 x 10 ¹⁵ / ₁₆ | A 8967 ⁴⁾ 36053-157 | ERF 858 ERF 858 | 14 ³ / ₄ 14 ³ / ₄ | 15 ¹ / ₂ 15 ¹ / ₂ | ³ / ₁₆ 0 | 4 ¹¹ / ₃₂ 5 ¹ / ₈ | 23 ⁷ / ₁₆ 23 ⁷ / ₁₆ | 12 12 | 3 ³ / ₈ 4 | 32 ³ / ₄ 32 ³ / ₄ | 33 ¹ / ₂ 33 ¹ / ₂ | 9 9 | 38 ¹ / ₄ 38 ¹ / ₄ | 1 ⁵ / ₈ 1 ⁵ / ₈ | 1200 1350 |
| 10 ¹⁵ / ₁₆ | 11 | SDAF 23260 KA x 10 ¹⁵ / ₁₆ | SDAF 3260 KA x 10 ¹⁵ / ₁₆ | 23260 CACK/W33 | SNP 3260 x 10 ¹⁵ / ₁₆ | 36053-130 | ERF 1002 | 15 ³ / ₄ | 16 ³ / ₄ | 0 | 5 ³ / ₄ | 25 ³ / ₄ | 12 ¹³ / ₁₆ | 4 ¹ / ₂ | 35 | 36 ¹ / ₂ | 10 ¹ / ₂ | 41 ³ / ₄ | 1 ⁷ / ₈ | 1900 |
| 11 ⁷ / ₁₆ | 11 ¹ / ₂ | SDAF 23064 KA x 11 ⁷ / ₁₆ | SDAF 3064 KA x 11 ⁷ / ₁₆ | 23064 CCK/W33 | SNP 3064 x 11 ⁷ / ₁₆ | A 8968 ⁴⁾ | ERF 861 | 14 ³ / ₄ | 15 ¹ / ₂ | ³ / ₁₆ | 4 ¹ / ₂ | 23 ⁷ / ₁₆ | 12 | 3 ³ / ₈ | 32 ³ / ₄ | 33 ¹ / ₂ | 9 | 38 ¹ / ₄ | 1 ⁵ / ₈ | 1300 |
| 11 ¹⁵ / ₁₆ | 12 | SDAF 23064 KA x 11 ¹⁵ / ₁₆ SDAF 23164 KA x 11 ¹⁵ / ₁₆ SDAF 23264 KA x 11 ¹⁵ / ₁₆ | SDAF 3064 KA x 11 ¹⁵ / ₁₆ SDAF 3164 KA x 11 ¹⁵ / ₁₆ SDAF 3264 KA x 11 ¹⁵ / ₁₆ | 23064 CCK/W33 23164 CACK/W33 23264 CACK/W33 | SNP 3064 x 11 ¹⁵ / ₁₆ SNP 3164 x 11 ¹⁵ / ₁₆ SNP 3264 x 11 ¹⁵ / ₁₆ | A 8968 ⁴⁾ A 8970 36053-137 | ERF 859 ERF 900 ERF 900 | 14 ³ / ₄ 15 ³ / ₄ 17 ³ / ₄ | 15 ¹ / ₂ 16 ³ / ₄ 18 ³ / ₄ | ³ / ₁₆ 0 0 | 4 ¹ / ₂ 5 ¹⁷ / ₃₂ 6 ⁵ / ₃₂ | 23 ⁷ / ₁₆ 25 ³ / ₄ 27 ⁷ / ₈ | 12 12 ¹³ / ₁₆ 14 | 3 ³ / ₈ 4 ¹ / ₂ 5 | 32 ³ / ₄ 35 36 ³ / ₄ | 33 ¹ / ₂ 36 ¹ / ₂ 38 ¹ / ₄ | 9 10 ¹ / ₂ 10 ³ / ₄ | 38 ¹ / ₄ 41 ³ / ₄ 43 ³ / ₄ | 1 ⁵ / ₈ 1 ⁷ / ₈ 2 | 1250 1850 2500 |
| 12 ⁷ / ₁₆ | 12 ¹ / ₂ | SDAF 23068 KA x 12 ⁷ / ₁₆ SDAF 23168 KA x 12 ⁷ / ₁₆ SDAF 23268 KA x 12 ⁷ / ₁₆ | SDAF 3068 KA x 12 ⁷ / ₁₆ SDAF 3168 KA x 12 ⁷ / ₁₆ SDAF 3268 KA x 12 ⁷ / ₁₆ | 23068 CACK/W33 23168 CACK/W33 23268 CCK/W33 | SNP 3068 x 12 ⁷ / ₁₆ SNP 3168 x 12 ⁷ / ₁₆ SNP 3268 x 12 ⁷ / ₁₆ | A 8969 ⁴⁾ 36053-137 36053-143 | ERF 865 ERF 975 ERF 975 | 15 ¹ / ₄ 17 ³ / ₄ 17 ³ / ₄ | 15 ³ / ₄ 18 ³ / ₄ 17 ⁵ / ₈ | ³ / ₁₆ 0 0 | 4 ⁷ / ₈ 5 ²⁹ / ₃₂ 6 ¹⁹ / ₃₂ | 24 27 ⁷ / ₈ 28 ⁷ / ₈ | 11 ¹³ / ₁₆ 14 14 ¹ / ₂ | 4 ³ / ₁₆ 5 5 ¹ / ₄ | 32 36 ³ / ₄ 39 ¹ / ₄ | 33 ¹ / ₂ 38 ¹ / ₄ 40 ³ / ₄ | 10 10 ³ / ₄ 11 | 39 43 ³ / ₄ 46 | 1 ⁷ / ₈ 2 2 | 1550 2450 2650 |
| 12 ¹⁵ / ₁₆ | 13 | SDAF 23072 KA x 12 ¹⁵ / ₁₆ | SDAF 3072 KA x 12 ¹⁵ / ₁₆ | 23072 CACK/W33 | SNP 3072 x 12 ¹⁵ / ₁₆ | A 8970 ⁴⁾ | ERF 869 | 15 ³ / ₄ | 16 ³ / ₄ | ³ / ₁₆ | 4 ⁷ / ₈ | 25 ³ / ₄ | 12 ¹³ / ₁₆ | 4 ¹ / ₂ | 35 | 36 ¹ / ₂ | 10 ¹ / ₂ | 41 ³ / ₄ | 1 ⁷ / ₈ | 1650 |
| 13 ⁷ / ₁₆ | 13 ¹ / ₂ | SDAF 23072 KA x 13 ⁷ / ₁₆ SDAF 23172 KA x 13 ⁷ / ₁₆ SDAF 23272 KA x 13 ⁷ / ₁₆ | SDAF 3072 KA x 13 ⁷ / ₁₆ SDAF 3172 KA x 13 ⁷ / ₁₆ SDAF 3272 KA x 13 ⁷ / ₁₆ | 23072 CACK/W33 23172 CCK/W33 23272 CCK/W33 | SNP 3072 x 13 ⁷ / ₁₆ SNP 3172 x 13 ⁷ / ₁₆ SNP 3272 x 13 ⁷ / ₁₆ | A 8970 ⁴⁾ 36053-167 36053-150 | ERF 872 ERF 872 ERF 979 | 15 ³ / ₄ 17 ¹ / ₈ 18 ³ / ₄ | 16 ³ / ₄ 17 ⁵ / ₈ 19 ¹ / ₄ | ³ / ₁₆ 0 0 | 4 ⁷ / ₈ 5 ³¹ / ₃₂ 6 ³ / ₄ | 25 ³ / ₄ 28 ⁷ / ₈ 30 ¹ / ₂ | 12 ¹³ / ₁₆ 14 ¹ / ₂ 15 ¹ / ₂ | 4 ¹ / ₂ 5 ¹ / ₄ 5 ¹ / ₂ | 35 39 ¹ / ₄ 41 ³ / ₄ | 36 ¹ / ₂ 40 ³ / ₄ 43 ¹ / ₂ | 10 ¹ / ₂ 11 12 ¹ / ₄ | 41 ³ / ₄ 46 48 ³ / ₄ | 1 ⁷ / ₈ 2 2 ¹ / ₄ | 1600 2500 2950 |
| 13 ¹⁵ / ₁₆ | 14 | SDAF 23076 KA x 13 ¹⁵ / ₁₆ SDAF 23176 KA x 13 ¹⁵ / ₁₆ SDAF 23276 KA x 13 ¹⁵ / ₁₆ | SDAF 3076 KA x 13 ¹⁵ / ₁₆ SDAF 3176 KA x 13 ¹⁵ / ₁₆ SDAF 3276 KA x 13 ¹⁵ / ₁₆ | 23076 CACK/W33 23176 CCK/W33 23276 CCK/W33 | SNP 3076 x 13 ¹⁵ / ₁₆ SNP 3176 x 13 ¹⁵ / ₁₆ SNP 3276 x 13 ¹⁵ / ₁₆ | A 8971 ⁴⁾ 36053-143 36053-152 | ERF 875 ERF 875 ERF 977 | 15 ³ / ₄ 17 ¹ / ₈ 18 ³ / ₄ | 16 ³ / ₄ 17 ⁵ / ₈ 19 ¹ / ₄ | ³ / ₁₆ 0 0 | 5 ¹ / ₈ 6 ¹ / ₈ 7 ¹ / ₃₂ | 25 ³ / ₄ 28 ⁷ / ₈ 30 ¹ / ₂ | 12 ¹³ / ₁₆ 14 ¹ / ₂ 15 ¹ / ₂ | 4 ¹ / ₂ 5 ¹ / ₄ 5 ¹ / ₂ | 35 39 ¹ / ₄ 41 ³ / ₄ | 36 ¹ / ₂ 40 ³ / ₄ 43 ¹ / ₂ | 10 ¹ / ₂ 11 12 ¹ / ₄ | 41 ³ / ₄ 46 48 ³ / ₄ | 1 ⁷ / ₈ 2 2 ¹ / ₄ | 1700 2500 3050 |
| 14 ¹⁵ / ₁₆ | 15 | SDAF 23180 KA x 14 ¹⁵ / ₁₆ SDAF 23280 KA x 15 | SDAF 3180 KA x 14 ¹⁵ / ₁₆ SDAF 3280 KA x 15 | 23180 CCK/W33 23280 CCK/W33 | SNP 3180 x 14 ¹⁵ / ₁₆ SNP 3280 x 15 | 36053-150 36053-165 | ERF 882 ERF 976 | 18 ³ / ₄ 21 | 19 ¹ / ₄ 21 ³ / ₄ | 0 0 | 6 ¹³ / ₃₂ 7 ¹ / ₂ | 30 ¹ / ₂ 33 ³ / ₄ | 15 ¹ / ₂ 17 | 5 ¹ / ₂ 5 ¹ / ₂ | 41 ³ / ₄ 44 ³ / ₈ | 43 ¹ / ₂ 46 ¹ / ₈ | 12 ¹ / ₄ 14 ¹ / ₂ | 48 ³ / ₄ 52 | 2 ¹ / ₄ 2 ¹ / ₄ | 2800 4500 |

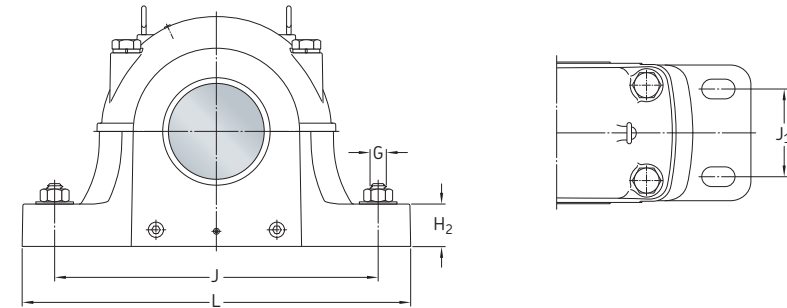
1) Requires different adapter sleeve and seals.
2) Optional internal radial clearance (e.g. C3) available on request.
3) For a held unit, order stabilizing rings separately.
4) Only one stabilizing ring required.

9.3 Extended range pillow blocks with spherical roller bearings on an adapter sleeve Series SDAF 230(00) KA, 231(00) KA, 232(00) KA

d_a 15 – 19 1/2 in.



Units of measurement
In this chapter only imperial units are used. To convert imperial units to metric units, refer to the conversion table on page 10.



| Shaft diameter Standard d_a | Op- tional ¹⁾ | Complete pillow block | Components | | | | Laby- rinth ring (2 incl.) |
|-------------------------------------|-----------------------------|--------------------------|-------------------------|-----------------------|---------------------|--|-------------------------------------|
| | | | Pillow block housing | Bearing ²⁾ | Adapter assembly | Stabilizing ring ³⁾ (2 req'd) | |
| in. | - | - | - | - | - | - | - |
| 15 | 14 ^{15/16} | SDAF 23080 KA x 15 | SDAF 3080 KA x 15 | 23080 CACK/W33 | SNP 3080 x 15 | 36053-153 ⁴⁾ | ERF 847 |
| 15 3/4 | - ⁵⁾ | SDAF 23084 KA x 15 3/4 | SDAF 3084 KA x 15 3/4 | 23084 CACK/W33 | SNP 3084 x 15 3/4 | 36053-143 ⁴⁾ | ERF 969 |
| | | SDAF 23184 KA x 15 3/4 | SDAF 3184 KA x 15 3/4 | 23184 CACK/W33 | SNP 3184 x 15 3/4 | 36053-160 | ERF 907 |
| | | SDAF 23284 KA x 15 3/4 | SDAF 3284 KA x 15 3/4 | 23284 CACK/W33 | SNP 3284 x 15 3/4 | 36053-154 | ERF 907 |
| 16 1/2 | - ⁵⁾ | SDAF 23088 KA x 16 1/2 | SDAF 3088 KA x 16 1/2 | 23088 CACK/W33 | SNP 3088 x 16 1/2 | 36053-150 ⁴⁾ | ERF 958 |
| | | SDAF 23188 KA x 16 1/2 | SDAF 3188 KA x 16 1/2 | 23188 CACK/W33 | SNP 3188 x 16 1/2 | 36053-165 | ERF 958 |
| | | SDAF 23288 KA x 16 1/2 | SDAF 3288 KA x 16 1/2 | 23288 CACK/W33 | SNP 3288 x 16 1/2 | 36053-159 | ERF 958 |
| 17 | - ⁵⁾ | SDAF 23092 KA x 17 | SDAF 3092 KA x 17 | 23092 CACK/W33 | SNP 3092 x 17 | 36053-152 ⁴⁾ | ERF 838 |
| | | SDAF 23192 KA x 17 | SDAF 3192 KA x 17 | 23192 CACK/W33 | SNP 3192 x 17 | 36053-154 | ERF 838 |
| 18 | - ⁵⁾ | SDAF 23096 KA x 18 | SDAF 3096 KA x 18 | 23096 CACK/W33 | SNP 3096 x 18 | 36053-200 ⁴⁾ | ERF 888 |
| | | SDAF 23196 KA x 18 | SDAF 3196 KA x 18 | 23196 CACK/W33 | SNP 3196 x 18 | 36053-159 | ERF 888 |
| 18 1/2 | - ⁵⁾ | SDAF 230/500 KA x 18 1/2 | SDAF 30/500 KA x 18 1/2 | 230/500 CACK/W33 | SNP 30/500 x 18 1/2 | 36053-165 ⁴⁾ | ERF 978 |
| 19 1/2 | - ⁵⁾ | SDAF 230/530 KA x 19 1/2 | SDAF 30/530 KA x 19 1/2 | 230/530 CACK/W33 | SNP 30/530 x 19 1/2 | 36053-166 ⁴⁾ | ERF 926 |

| Complete pillow block Designation | Dimensions | | | | | | | | | | | Mass | |
|--------------------------------------|----------------|----------------|------|----------------|--------|----------------|----------------|------------------|------------------|----------------|--------|-------|-------|
| | A ₁ | A ₂ | S | b _a | H | H ₁ | H ₂ | J _{min} | J _{max} | J ₁ | L | | G |
| - | in. | | | | | | | | | | | lb. | |
| SDAF 23080 KA x 15 | 17 1/8 | 17 5/8 | 3/16 | 5 17/32 | 29 | 14 1/2 | 5 1/4 | 39 1/4 | 40 3/4 | 11 | 46 | 2 | 2 300 |
| SDAF 23084 KA x 15 3/4 | 17 1/8 | 17 5/8 | 3/16 | 5 9/16 | 29 | 14 1/2 | 5 1/4 | 39 1/4 | 40 3/4 | 11 | 46 | 2 | 2 300 |
| SDAF 23184 KA x 15 3/4 | 21 | 21 3/4 | 0 | 6 7/8 | 33 3/4 | 17 | 5 1/2 | 44 3/8 | 46 1/8 | 14 1/2 | 53 | 2 1/4 | 4 300 |
| SDAF 23284 KA x 15 3/4 | 21 5/8 | 22 1/4 | 0 | 7 13/16 | 35 3/4 | 18 | 5 3/4 | 47 1/8 | 48 7/8 | 15 | 54 1/4 | 2 1/2 | 5 000 |
| SDAF 23088 KA x 16 1/2 | 18 3/4 | 19 1/4 | 3/16 | 5 3/4 | 30 1/2 | 15 1/2 | 5 1/2 | 41 3/4 | 43 1/2 | 12 1/4 | 48 3/4 | 2 1/4 | 2 550 |
| SDAF 23188 KA x 16 1/2 | 21 | 21 3/4 | 0 | 7 7/32 | 33 3/4 | 17 | 5 1/2 | 44 3/8 | 46 1/8 | 14 1/2 | 53 | 2 1/4 | 4 300 |
| SDAF 23288 KA x 16 1/2 | 21 5/8 | 22 1/4 | 0 | 8 9/32 | 35 3/4 | 18 | 5 3/4 | 47 1/8 | 48 7/8 | 15 | 54 1/4 | 2 1/2 | 5 050 |
| SDAF 23092 KA x 17 | 18 3/4 | 19 1/4 | 3/16 | 5 7/8 | 30 1/2 | 15 1/2 | 5 1/2 | 41 3/4 | 43 1/2 | 12 1/4 | 48 3/4 | 2 1/4 | 2 850 |
| SDAF 23192 KA x 17 | 21 5/8 | 22 1/4 | 0 | 7 1/2 | 35 3/4 | 18 | 5 3/4 | 47 1/8 | 48 7/8 | 15 | 54 1/4 | 2 1/2 | 5 000 |
| SDAF 23096 KA x 18 | 21 | 21 3/4 | 3/16 | 5 29/32 | 33 3/4 | 17 | 5 1/2 | 44 3/8 | 46 1/8 | 14 1/2 | 53 | 2 1/4 | 4 250 |
| SDAF 23196 KA x 18 | 21 5/8 | 22 1/4 | 0 | 7 21/32 | 35 3/4 | 18 | 5 3/4 | 47 1/8 | 48 7/8 | 15 | 54 1/4 | 2 1/2 | 5 300 |
| SDAF 230/500 KA x 18 1/2 | 21 | 21 3/4 | 3/16 | 6 1/2 | 33 3/4 | 17 | 5 1/2 | 44 3/8 | 46 1/8 | 14 1/2 | 53 | 2 1/4 | 4 350 |
| SDAF 230/530 KA x 19 1/2 | 21 5/8 | 22 1/4 | 3/16 | 6 27/32 | 35 3/4 | 18 | 5 3/4 | 47 1/8 | 48 7/8 | 15 | 54 1/4 | 2 1/2 | 5 200 |

1) Requires different adapter sleeve and seals.
2) Optional internal radial clearance (e.g. C3) available on request.
3) For a held unit, order stabilizing rings separately.
4) Only one stabilizing ring required.
5) Optional shaft sizes available on request.