

# SKF SCOTSEAL Classic

Provide oil and grease sealing for wheel ends, while offering enhanced performance in a wide range of temperatures and fluid environments.

## Available applications

Car and truck wheel ends.

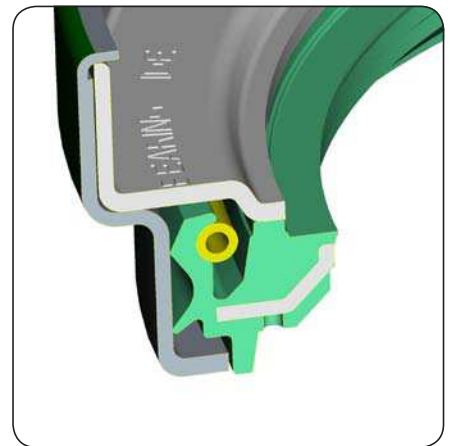
**SKF's custom design capabilities, superior testing procedures and extensive production experience allow us to develop the most advanced designs. The superior features of the SKF SCOTSEAL wheel end seals are:**

- Unitized design
- Specially formulated NBR elastomeric material, compatible with mineral and synthetic lubes
- Enhanced dirt exclusion with bumper wall and radial excluder lip
- Sizes for 71 of the most common wheel hub/axle combinations
- Can retain oil or grease

**The SKF wheel end seals add value by delivering the following critical advantages:**

- More fluid compatibility with oil additive packages
- Wide temperature ranges
- Long life – increased reliability

**SKF has a proven success record in the production of wheel end seals with an extensive high volume customer base.**



© SKF and SCOTSEAL are registered trademarks of the SKF Group.

© SKF Group 2013  
The contents of this publication are the copyright of the publisher and may not be reproduced (even extracts) unless prior written permission is granted. Every care has been taken to ensure the accuracy of the information contained in this publication but no liability can be accepted for any loss or damage whether direct, indirect or consequential arising out of the use of the information contained herein.

PUB SE/P8 06730/2 EN · May 2013

Printed in Sweden on environmentally friendly paper.

