

# B-, LG- and OS-dosers

for SKF MonoFlex single-line lubrication systems



B-Doser



LG-Doser



OS-Doser

*B-, LG- and OS-dosers are designed for heavy vehicle and heavy industry applications where oil and fluid grease are used.*

## B-dosers

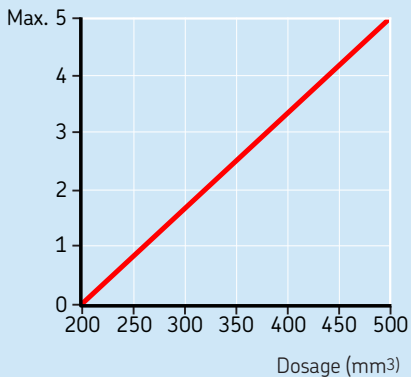
B-dosers are used in single-line heavy vehicle and industrial lubrication applications. The doser group consists of a mounting rail with one or more dosers attached to it.

Dosing modules are made of zinc-coated and yellow-passivated steel. Mounting rails are made of zinc-coated and yellow-passivated steel. The dosage ranges of B dosers are from 20 to 500 mm<sup>3</sup>.

Lubricant: oil and greases NLGI 000-1



Dosage adjustment B6



Model Dosage (mm<sup>3</sup>)

B1	20
B2	50
B3	100
B4	150
B5	200

### ⚠ CAUTION

For all systems described in this brochure, see important product usage information on the back cover.

Quantity	Range	Unit	Description
t	- 25 to +80	°C	Operation temperature
p	150	bar	Max. operation pressure
w x h x d	15 x 90 x 15 17 x 110 x 17	mm	B1-B5 doser dimensions B6 doser dimensions

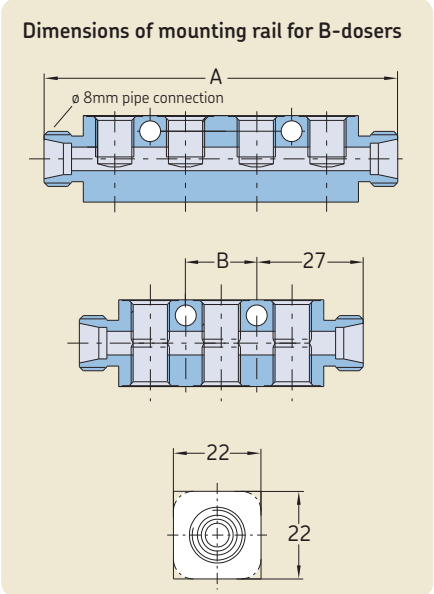
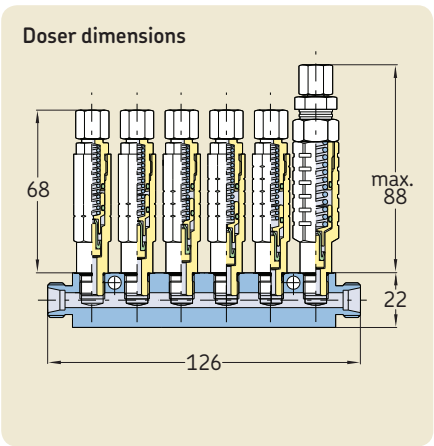
BPLD-XX-Y	Abbreviation	Description
B	B	Lubrication system type, B
X	1 2 3 4 5 6	Doser size, size 1 Doser size, size 2 Doser size, size 3 Doser size, size 4 Doser size, size 5 Doser size, size 6
xxx	G1/8	Fastening of doser to mounting rail G1/8
Y	ZN	Doser material, zinc-coated and yellow-passivated steel
Z	4 6	Lubricant outlet, pipe connector Ø 4 mm Lubricant outlet, pipe connector Ø 6 mm
U	U	Lubricant outlet, female thread NPT 1/8 in.

BPLD-XX-Y	Abbreviation	Description
BP	BP	Mounting rail
LD	LD	Lubrication system type
XX	02 04 06 0303	2-place mounting rail 4-place mounting rail 6-place mounting rail 6-place mounting rail, 3 places on opposite sides
Y	S	Mounting rail material, stainless steel AISI 303

Doser type	Prefix	Code
B1-G1/8-ZN-4	VGAA	11391000
B2-G1/8-ZN-4	VGAA	11391050
B3-G1/8-ZN-4	VGAA	11391100
B4-G1/8-ZN-4	VGAA	11391150
B5-G1/8-ZN-4	VGAA	11391200
B6-G1/8-ZN-4	VGAA	11391250
B1-G1/8-ZN-6	VGAA	11391300
B2-G1/8-ZN-6	VGAA	11391350
B3-G1/8-ZN-6	VGAA	11391400
B4-G1/8-ZN-6	VGAA	11391450
B5-G1/8-ZN-6	VGAA	11391500
B6-G1/8-ZN-6	VGAA	11391255
B1-G1/8-ZN-6-U	VGAA	12800250
B2-G1/8-ZN-6-U	VGAA	12800260
B3-G1/8-ZN-6-U	VGAA	12800270
B4-G1/8-ZN-6-U	VGAA	12800280
B5-G1/8-ZN-6-U	VGAA	12800290
B6-G1/8-ZN-6-U	VGAA	12800300

Mounting rail type	A	B	Prefix	Code
BPLD-0202-ZN	54	0*	VGAA	11392310
BPLD-0303-ZN	72	18	VGAA	11392320
BPLD-04-ZN	90	36	VGAA	11392330
BPLD-06-ZN	126	99	VGAA	11392340
BPLD-08-ZN	162	108	VGAA	11392350
BPLD-08-08-ZN	162	108	VGAA	11392360
BPLD-0202-ZN-U	54	0*	VGAA	12800420
BPLD-0303-ZN-U	72	18	VGAA	12800430
BPLD-04-ZN-U	90	36	VGAA	12800400
BPLD-06-ZN-U	126	99	VGAA	12800410

\*Notice: Includes only one mounting hole



## OS-dosers

OS-dosers are used in single line heavy industry oil lubrication applications. The doser group consists of a mounting rail with one or more dosers attached to it. Dosing modules are made of zinc-coated and yellow-passivated steel. Mounting rails are made of zinc-coated and yellow-passivated steel.

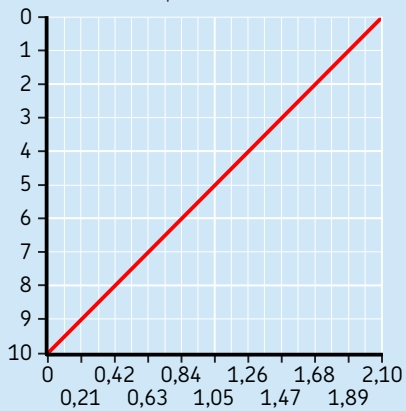
Lubricant: oil

OS doser range 0,31 to 500 cm<sup>3</sup>



Adjustment graph for OS-3 doser

Turns from initial position

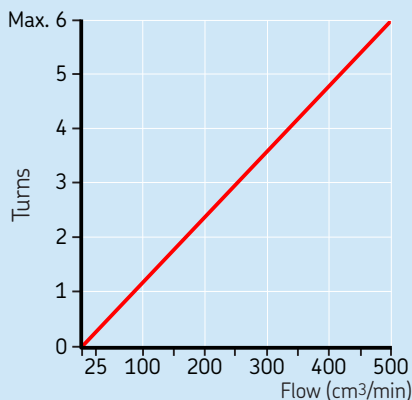


Adjustment: Dosage (cm<sup>3</sup>)  
 0 turns = full open  
 10 turns = closed

Quantity	Range	Unit	Description
t	-25 to +80	°C	Operation temperature
p	15-75	bar	Operation pressure
w x h x d	25 x 117 x 25 25 x 147 x 25	mm	Dimensions of OS-3 doser Dimensions of OS-4 doser

OS-X-YY-ZZ	Abbreviation	Description
OS	OS	Lubrication system type, SKF MonoFlex
X	3 4	Doser size, size 3 Doser size, size 4
YY	ZN SS	Doser material, zinc-coated and yellow-passivated steel Doser material, stainless steel AISI 316
Z	06 U	Lubricant outlet, pipe connector Ø 6 mm Lubricant outlet, female thread NPT 1/8"

Adjustment graph for OS-4 doser

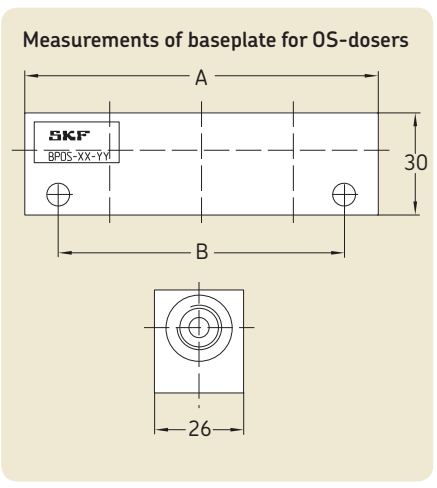
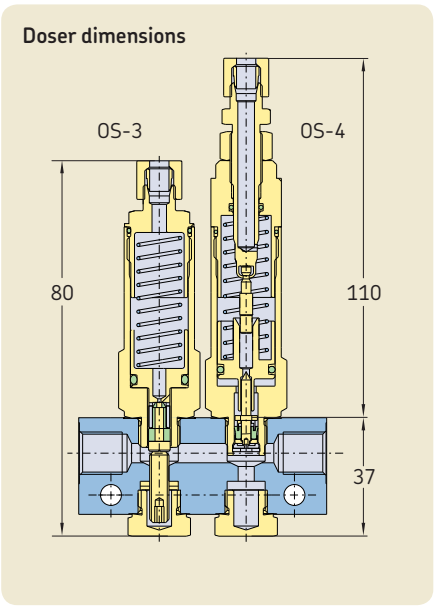


Oil viscosity 80 cSt (+20 °C)

BPOS-XX-YY-U	Abbreviation	Description
BP	BP	Mounting rail, Baseplate
OS	OS	Lubrication system type, SKF MonoFlex
XX	01 02 03 04 05 06	1-place mounting rail 2-place mounting rail 3-place mounting rail 4-place mounting rail 5-place mounting rail 6-place mounting rail
YY	AL SS	Mounting rail material, anodized aluminum Mounting rail material, stainless steel AISI 303
U	no symbol U	Connections, R-female threads, inlet G1/4", outlet G1/8" Connections, NPT-female threads, inlet 1/4", outlet 1/8"

Doser type	Prefix	Code
OS-3-ZN-06	VGAA	12394350
OS-3-SS-06	VGAA	12394355
OS-3-ZN-U	VGAA	12394360
OS-4-ZN-06	VGAA	12394550
OS-4-ZN-U	VGAA	12394560

Mounting rail type	A	B	Prefix	Code
BPOS-01-AL	50	30	VGAA	12390350
BPOS-02-AL	77	57	VGAA	12390400
BPOS-03-AL	104	84	VGAA	12390450
BPOS-04-AL	131	111	VGAA	12390500
BPOS-05-AL	158	138	VGAA	12390550
BPOS-06-AL	185	165	VGAA	12390600
BPOS-02-SS	77	57	VGAA	12390610
BPOS-04-SS	131	111	VGAA	12390615
BPOS-06-SS	185	165	VGAA	12390620



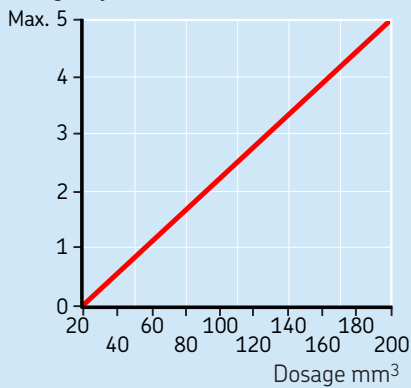
## LG-dosers

LG-dosers are used in SKF MonoFlex single line lubrication applications. The doser group consists of a mounting rail with one or more dosers attached to it. Dosing modules are made of stainless steel. Mounting rails are made of stainless steel. Typical applications are in food and beverage applications.

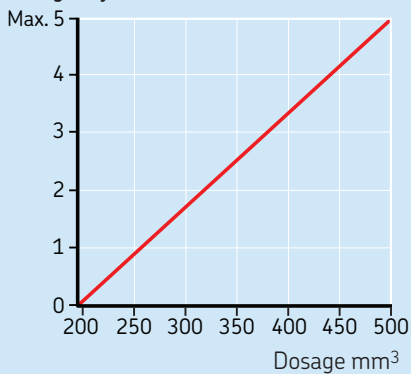
Lubricant: oil and greases NLGI 000-1



Dosage adjustment LG001



Dosage adjustment LG002



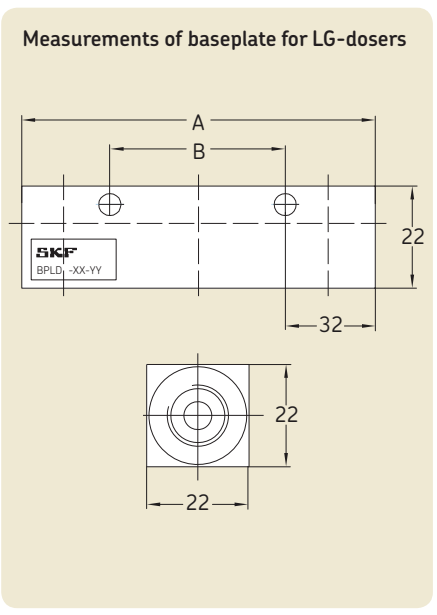
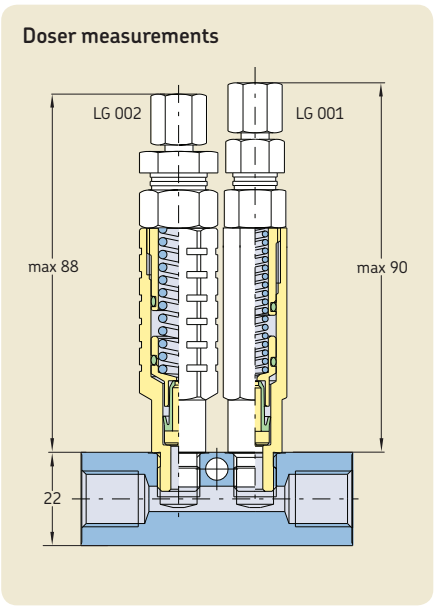
Quantity	Range	Unit	Description
t	-25 to +80	°C	Operation temperature
Pmax	150	bar	Maximum operation pressure
w x h x d	15 x 112 x 15 17 x 110 x 17	mm	Dimensions of LG-001 doser Dimensions of LG-002 doser

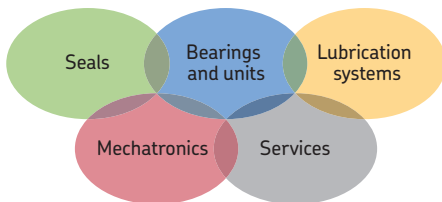
LG-XXX-Y-Z-U	Abbreviation	Description
LG	LG	Lubrication system type, LightGrease
XXX	001 002	Doser size, size 001 Doser size, size 002
Y	S	Doser material, stainless steel AISI 304
Z	4 6	Lubricant outlet, pipe connector Ø 4 mm Lubricant outlet, pipe connector Ø 6 mm
U	U	Lubricant outlet, lubrication pipe Ø 1/4"

BPLD-XX-Y	Abbreviation	Description
BP	BP	Mounting rail, Baseplate
LD	LD	Lubrication system type, LD
XX	02 04 06 0303	2-place mounting rail 4-place mounting rail 6-place mounting rail 6-place mounting rail, 3 places on opposite sides
Y	S	Mounting rail material, stainless steel AISI 303

Doser type	Prefix	Code
LG001-S-4	VGAA	12382710
LG001-S-6	VGAA	12382720
LG002-S-4	VGAA	12382730
LG002-S-6	VGAA	12382740
LG001-S-6-U	VGAA	12800320
LG002-S-6-U	VGAA	12800330

Mounting rail type	A	B	Prefix	Code
BPLD-02-S	64	0	VGAA	11392400
BPLD-03-S	82	22	VGAA	11392450
BPLD-04-S	100	33	VGAA	11392500
BPLD-06-S	136	72	VGAA	11392600
BPLD-0303-S	82	22	VGAA	11392750





## The Power of Knowledge Engineering

Drawing on five areas of competence and application-specific expertise amassed over more than 100 years, SKF brings innovative solutions to OEMs and production facilities in every major industry worldwide. These five competence areas include bearings and units, seals, lubrication systems, mechatronics (combining mechanics and electronics into intelligent systems), and a wide range of services, from 3-D computer modelling to advanced condition monitoring and reliability and asset management systems. A global presence provides SKF customers uniform quality standards and worldwide product availability.

## SKF lubrication systems

e-mail: [skf-lube@skf.com](mailto:skf-lube@skf.com)

### Important information on product usage

All products from SKF may be used only for their intended purpose as described in this brochure and in any instructions. If operating instructions are supplied with the products, they must be read and followed.

Not all lubricants are suitable for use in centralized lubrication systems. SKF does offer an inspection service to test customer supplied lubricant to determine if it can be used in a centralized system. SKF lubrication systems or their components are not approved for use with gases, liquefied gases, pressurized gases in solution and fluids with a vapor pressure exceeding normal atmospheric pressure (1 013 mbar) by more than 0,5 bar at their maximum permissible temperature.

Hazardous materials of any kind, especially the materials classified as hazardous by European Community Directive EC 67/548/EEC, Article 2, Par. 2, may only be used to fill SKF centralized lubrication systems and components and delivered and/or distributed with the same after consulting with and receiving written approval from SKF.

© SKF is a registered trademark of the SKF Group.

© SKF Group 2014

The contents of this publication are the copyright of the publisher and may not be reproduced (even extracts) unless prior written permission is granted. Every care has been taken to ensure the accuracy of the information contained in this publication but no liability can be accepted for any loss or damage whether direct, indirect or consequential arising out of the use of the information contained herein.

PUB LS/P8 11276 EN · May 2014

