



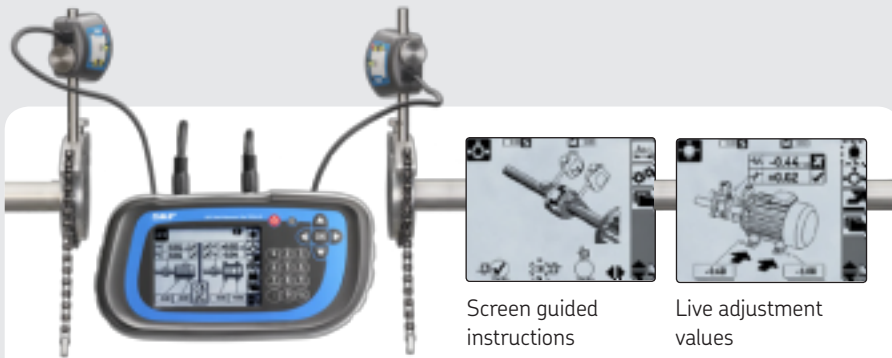
SKF Maintenance Products for wind turbine

Products that help maximise operational reliability



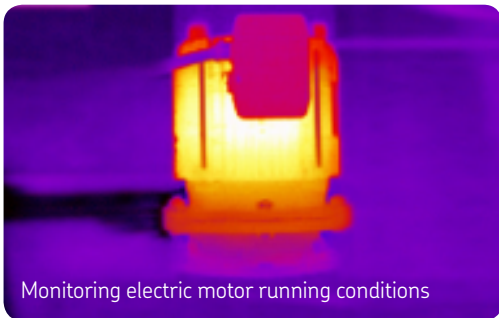
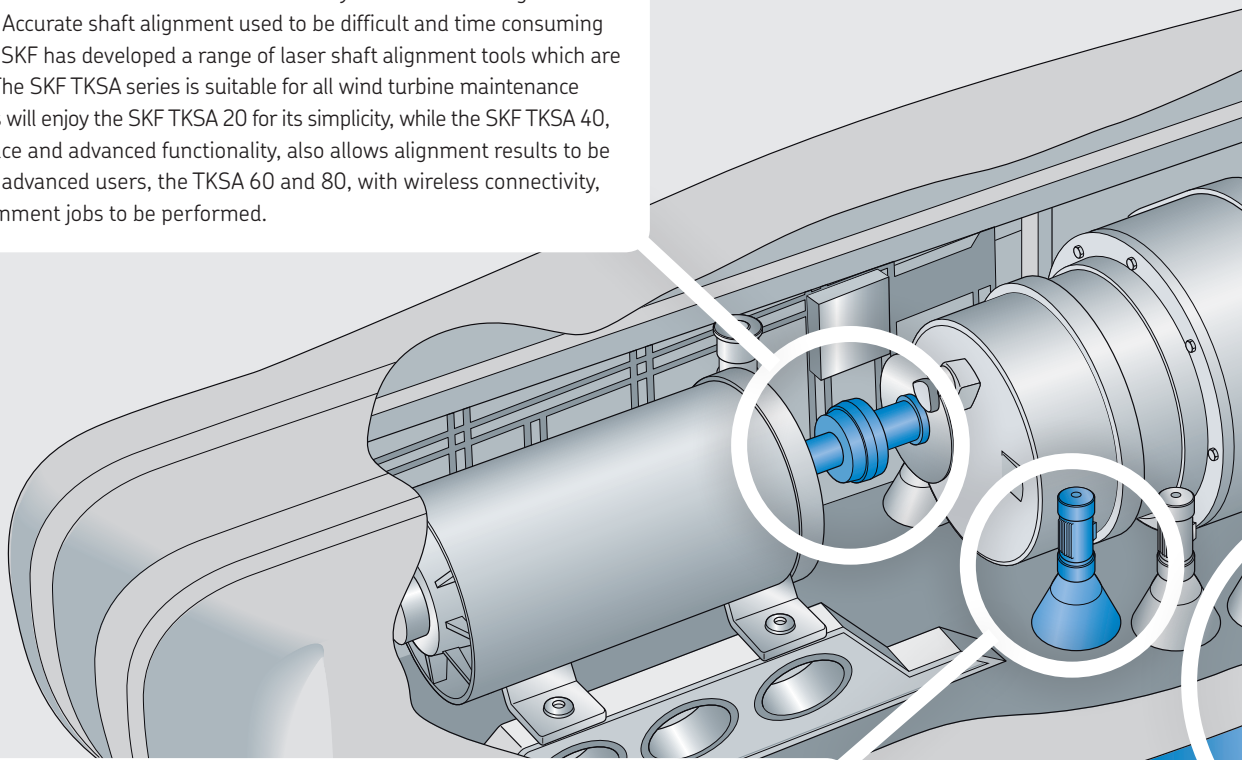
The Power of Knowledge Engineering

SKF offers a wide range of maintenance and lubrication solutions to help you reduce premature bearing failures and extend turbine service life.



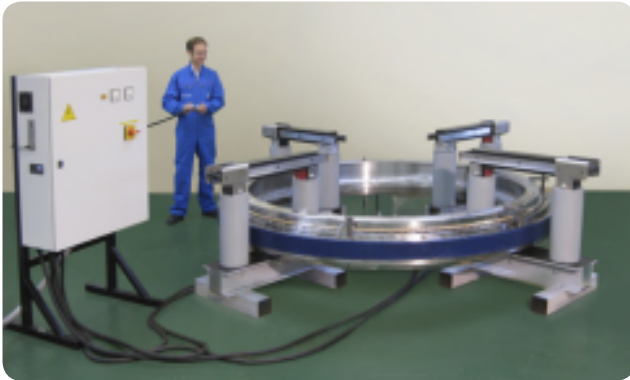
Fast and easy shaft alignment

Shaft misalignment can affect overall wind turbine efficiency and cause bearings and associated parts to fail. Accurate shaft alignment used to be difficult and time consuming to perform. Thankfully, SKF has developed a range of laser shaft alignment tools which are quick and easy to use. The SKF TKSA series is suitable for all wind turbine maintenance professionals: beginners will enjoy the SKF TKSA 20 for its simplicity, while the SKF TKSA 40, with its intuitive interface and advanced functionality, also allows alignment results to be stored and shared. For advanced users, the TKSA 60 and 80, with wireless connectivity, also allow complex alignment jobs to be performed.



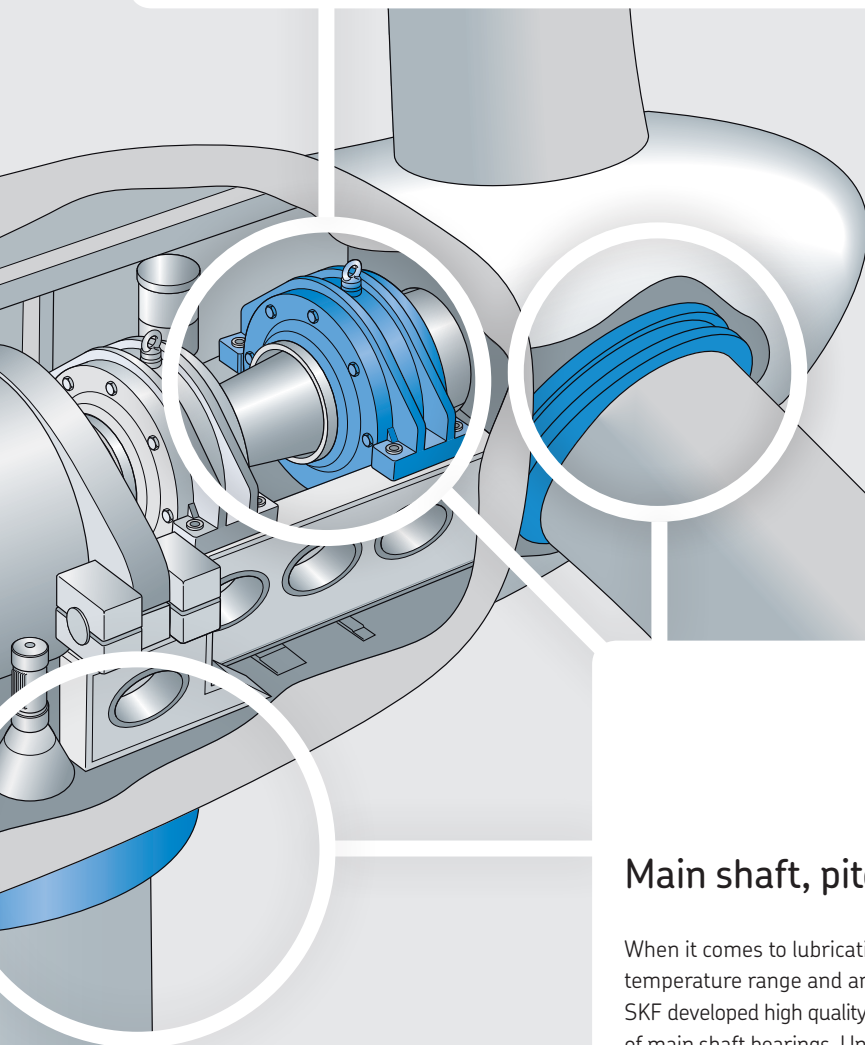
Condition monitoring of wind turbine components

SKF Thermal Imagers help you to easily visualise troublesome hot spots such as electrical cabinets and cables and mechanical transmissions and components. To inspect gearboxes and bearing housings without disassembling, SKF Endoscopes can save you valuable time and effort.



Mounting bearings easily, safely, cleanly

Compared to traditional methods such as oil baths and ovens, SKF TIH Induction Heaters heat bearings in a more efficient and controllable manner reducing energy use. As only the bearing and not the heater itself heats up, worker safety is improved compared to using traditional methods. Our unique heaters can be used with almost all bearing shapes and sizes used in wind turbine applications, from spherical roller and Nautilus bearings on the main shaft to deep groove ball bearings in the generator.



Main shaft, pitch and yaw bearing lubrication

When it comes to lubricating bearings in a wind turbine, lubricants must have a wide temperature range and anti-corrosion and anti-false brinelling properties. That's why SKF developed high quality greases LGEP 2, LGWM 1 and LGWM 2 for the proper lubrication of main shaft bearings. Under arduous test conditions, the patented SKF LGBB 2 grease outperformed other commercial greases in pitch and yaw bearing applications.



Same grease in different packages

Automatic lubrication combined with manual lubrication



Induction heater TIH L series

Extra large induction heater with a 1 200 kg bearing heating capacity



SKF LAGD series

Ready-to-use centralised lubrication systems



SKF Thermal Camera TKTI 20

Easy-to-use thermal camera simplifies safe machine inspections



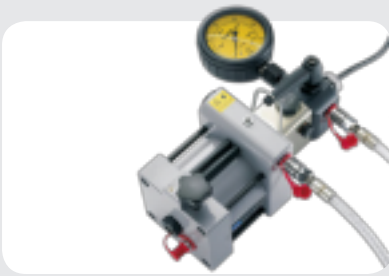
SKF Endoscopes TKES 10 series

Fast and easy inspection with video function



SKF Grease Test Kit TKGT 1

Portable grease analysis kit for field use



SKF Air-driven Hydraulic Pumps and Oil Injectors, THAP series

30, 150, 300 and 400 MPa



SKF Infrared thermometer TKTL 30

An infrared and contact temperature thermometer with a wide measurement range and dual laser sighting



SKF Electrical Discharge Detector Pen TKED 1

Unique, reliable and safe method to detect electrical discharges in electric motor bearings

© SKF is a registered trademark of the SKF Group.

© SKF Group 2011

The contents of this publication are the copyright of the publisher and may not be reproduced (even extracts) unless prior written permission is granted. Every care has been taken to ensure the accuracy of the information contained in this publication but no liability can be accepted for any loss or damage whether direct, indirect or consequential arising out of the use of the information contained herein.

PUB MP/S2 12032 EN · August 2011