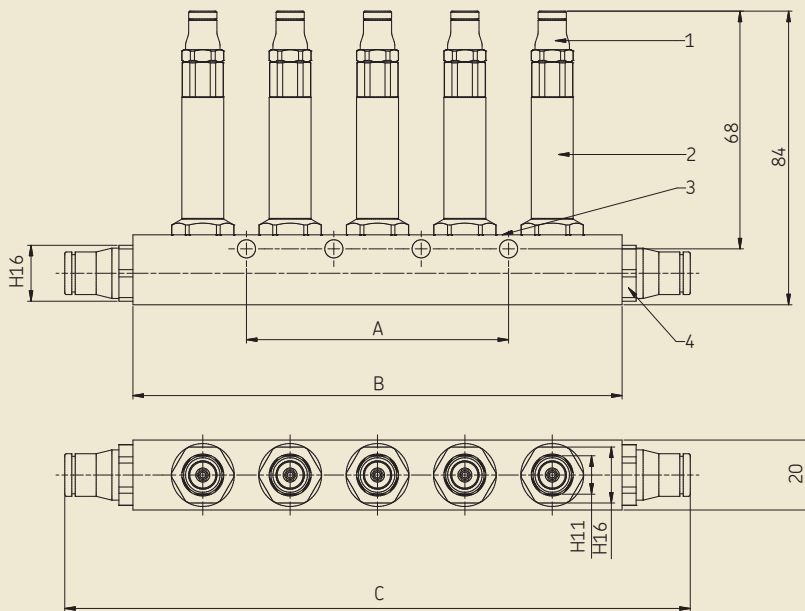


Metering devices LS



- Volumetric prelubrication metering device
- Stainless steel metering device
- Flow rate of 0,010 to 0,160 cm³/per stroke and outlet
- One to five outlets
- For oils with a viscosity range from 5 to 2 500 mm²/s

LS metering device (5 outlets)



- 1 Quick-release connector for tube Ø 4
- 2 Metering unit
- 3 Manifold
- 4 Quick-release connector for tube Ø 8

LS22... technical data

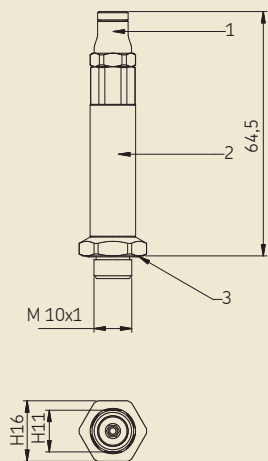
Number of outlet(s)	1 to 5
Flow rate	0,010 to 0,160 cm ³ per stroke and per output
Inlet pressure	12 to 20 bar
Outlet pressure	1 bar
Operating temperature	0 to 50 °C
Working frequency	≤ 1/2 s
Lubricant	mineral or synthetic oil
Effective viscosity	5 to 2 500 mm ² /s
Manifold inlet and outlet	quick-release connector for tube Ø 8
Metering unit outlet	quick-release connector for tube Ø 4
Material	
Metering unit	stainless steel 303
Manifold	stainless steel 303
Connector for tubes Ø 4 and Ø 8	high phosphorus FDA chemical nickel-plated brass

Order information

Order No.	Outlet(s)	Size A	Size B	Size C
LS2210	1	-	50	89
LS2220	2	-	65	104
LS2230	3	25	90	129
LS2240	4	50	115	154
LS2250	5	75	140	179

Components of the LS metering device

Metering unit LS2200



- 1 Quick-release connector for tube $\varnothing 4$ (high phosphorus FDA chemical nickel-plated brass)
- 2 Metering unit
- 3 FPM seal

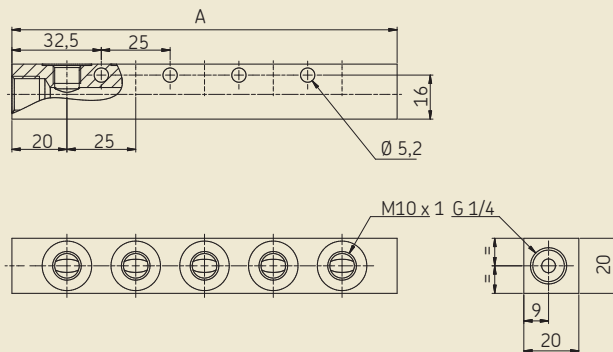
Order information

Stainless steel metering unit with FPM seal
With or without quick-release connector tube $\varnothing 4$
Same dimensions for all metering units

Order No.	Flow rate per stroke	Quick-release connector	
		with	without*
LS2200	0,010 cm ³	•	
LS2201	0,010 cm ³		•
LS2300	0,020 cm ³	•	
LS2301	0,020 cm ³		•
LS2400	0,030 cm ³	•	
LS2401	0,030 cm ³		•
LS2500	0,050 cm ³	•	
LS2501	0,050 cm ³		•
LS2600	0,100 cm ³	•	
LS2601	0,100 cm ³		•
LS2700	0,160 cm ³	•	
LS2701	0,160 cm ³		•

* Output M8x1

Manifold

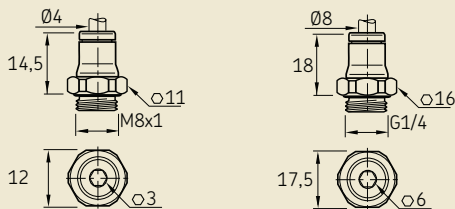


Manifold for LS metering unit

Output Material 1 to 5 stainless steel

Order No.	Outlet(s)	Fixing holes	Size A
LS2001	1	1	50
LS2002	2	1	65
LS2003	3	2	90
LS2004	4	3	115
LS2005	5	4	140

Quick-release connectors

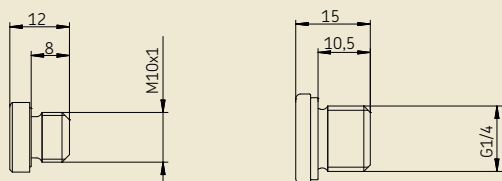


Quick-release connectors

High phosphorus FDA chemical nickel-plated brass, seal FPM

Connector for tube $\varnothing 8$ (manifold) No. **LS5013**
Connector for tube $\varnothing 4$ (metering unit) No. **LS5016**

Plugs



Plugs for manifold

Plugs, stainless steel with seal

Plug G 1/4, outlet to lubrication line order No. **UH3018.02.I**
Plug M10x1, outlet to metering unit order No. **UH3018.10.I**

The Power of Knowledge Engineering

Combining products, people, and application-specific knowledge, SKF delivers innovative solutions to equipment manufacturers and production facilities in every major industry worldwide. Having expertise in multiple competence areas supports SKF Life Cycle Management, a proven approach to improving equipment reliability, optimizing operational and energy efficiency and reducing total cost of ownership.

These competence areas include bearings and units, seals, lubrication systems, mechatronics, and a wide range of services, from 3-D computer modelling to cloud-based condition monitoring and asset management services.

SKF's global footprint provides SKF customers with uniform quality standards and worldwide product availability. Our local presence provides direct access to the experience, knowledge and ingenuity of SKF people.

This brochure was presented by:



Important information on product usage

SKF and Lincoln lubrication systems or their components are not approved for use with gases, liquefied gases, pressurized gases in solution and fluids with a vapor pressure exceeding normal atmospheric pressure (1 013 mbar) by more than 0,5 bar at their maximum permissible temperature.

© SKF is a registered trademark of the SKF Group.

© SKF Group 2016

The contents of this publication are the copyright of the publisher and may not be reproduced (even extracts) unless permission is granted. Every care has been taken to ensure the accuracy of the information contained in this publication but no liability can be accepted for any loss or damage whether direct, indirect or consequential arising out of the use of the information contained herein.

PUB LS/P2 15848 EN · January 2016

