

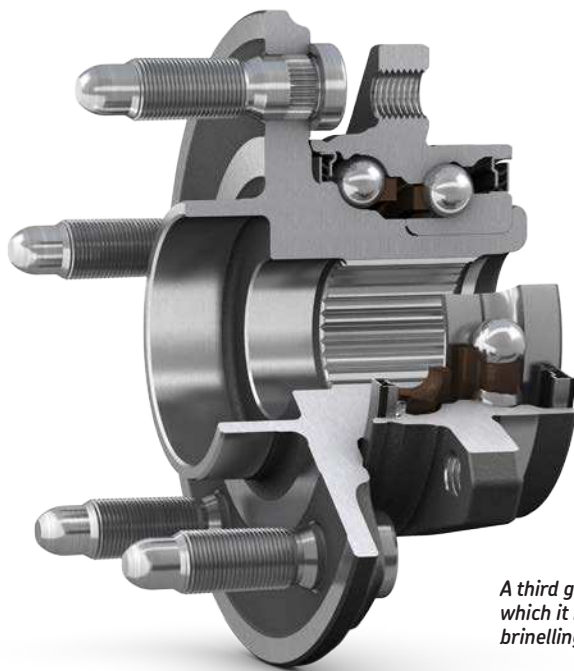
Better bearing performance

Anti false brinelling grease for hub bearing units

During vehicle transportation, due to absence of lubrication in ball raceway contact caused by standstill loads (no rotation), wear phenomena might occur. The consequence of this is an unexpected noise and vibration that may appear at vehicle level. SKF offers a solution that helps our customer to reduce the false brinelling damage by around 50%, while reducing friction and extending bearing life.

Features

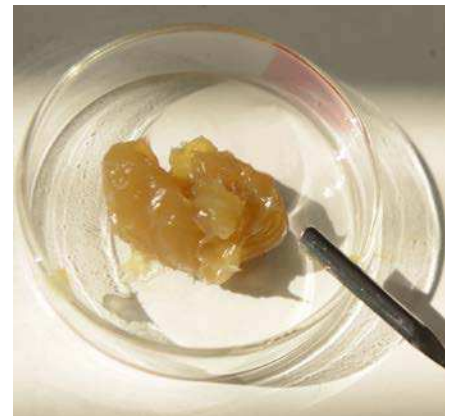
- Grease development tailored to HBU application needs
- Optimized ratio between friction, anti-wear and anti-false brinelling performances
- Fully compatibility with bearing component material



A third generation hub bearing unit in which it is possible to apply the anti false brinelling grease.

Benefits

- Consistent improvement of bearing robustness against false brinelling damage
- Lower bearing friction in comparison with the standard GHG grease
- Improved false brinelling resistance maintaining the same general bearing performances (life, stiffness and sealing)
- Applicable for new platforms and as retrofit



The anti false brinelling grease for hub bearing units.

skf.com

© SKF is a registered trademarks of the SKF Group.

© SKF Group 2016
The contents of this publication are the copyright of the publisher and may not be reproduced (even extracts) unless prior written permission is granted. Every care has been taken to ensure the accuracy of the information contained in this publication but no liability can be accepted for any loss or damage whether direct, indirect or consequential arising out of the use of the information contained herein.

PUB 10/P8 17032 EN · November 2016