



SKF agricultural Y-bearing range boost productivity and profitability

Benefits

- Increase farm productivity
- Reduce unplanned downtime
- Reduce maintenance and ownership costs
- Reduce environmental impact

Typical applications

- Combines and combine headers
- Balers
- Harvesters
- Hay tools/condition mowers
- Tillage gang disc/disc harrows
- Rolling cultivators/grain drills

Relubrication-free units combine high-performance seal and advanced locking method to reduce downtime

Today's farmers are under pressure to increase productivity and cut costs per hectare.

SKF agricultural Y-bearing units can help. Featuring a robust, five-lip seal, these greased-for-life units require no relubrication, are available with different locking devices, and an optional corrosion protection.

Four+ years in the field, less time on maintenance

According to SKF testing, Y-bearing units can last four years or more, versus the one- to three-year life cycle of conventional bearings. Depending on the unit and operating conditions, SKF agricultural Y-bearing units can extend service life by as much as 30 to 50%*, enabling farmers to spend more time in the field.

Reduced ownership costs

SKF agricultural Y-bearing units can also help reduce maintenance and ownership costs. Farmers can spend less time and money on costly repairs and relubrication, and more time on profitable activities.

Less environmental impact

Because they require no relubrication, SKF agricultural Y-bearing units can significantly reduce grease consumption, saving up to 200 kg* over the service life of a machine. The robust, five-lip seal design also helps keep grease from contaminating crops, soil, or ground-water supplies.

*All figures and graphs are rounded off and based on SKF testing against conventional bearings. Savings and results will vary in specific applications.



For more information about SKF Agri Solutions for the agriculture industry, contact your SKF representative, or visit us at www.skf.com/agrisolutions.



Increase the return on your maintenance investment with SKF

The whole idea behind the SKF 360° Solution is to help end users get more out of their machinery and equipment investments.

This may mean lowering maintenance costs, increasing productivity, or both!

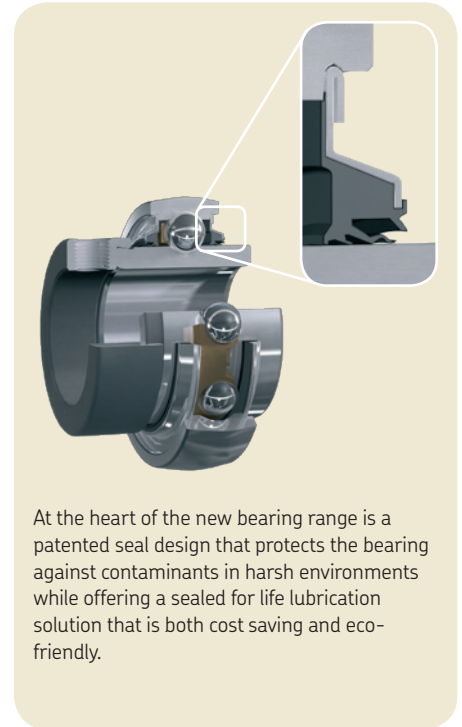
Designed for a range of agricultural applications

SKF agricultural Y-bearing units feature a five-lip seal and a greased-for-life bearing in different designs.

All configurations offer optional corrosion resistance on one or both rings to protect

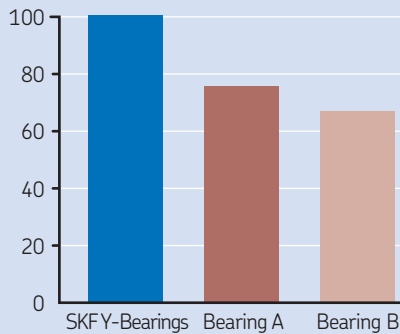
against high-pressure washdowns and other sources of moisture.

Other bearing series are available on demand with grub screw locking or hexagonal and square bores. Bearings with cylindrical outer rings or standard seals on one side complete the optional offer.



At the heart of the new bearing range is a patented seal design that protects the bearing against contaminants in harsh environments while offering a sealed for life lubrication solution that is both cost saving and eco-friendly.

Operational testing* – service life in mud (%)



SKF agricultural Y-bearing units – testing*

Condition	Result
Mud	+ Productivity
Vegetal fiber	+ Productivity
Dust	+ Productivity
High water pressure	+ Productivity
Climatic cell	+ Productivity
Sand and stone	+ Productivity
High air pressure	+ Productivity
Friction	+ Reduced environmental impact

* All figures and graphs are rounded off and based on SKF testing against conventional bearings. Savings and results will vary in specific applications.

Summary*	Conventional bearings	SKF YELAG bearings
Spare parts	€900	€700
Relubrication & daily maintenance	€700	€0
Yearly maintenance (machine start-up)	€1 120	€1 000
Machine downtime	€1 410	€920
Total cost	€4 130	€2 620
Total yearly saving		€1 500 (-36%)

* All numbers are rounded off and based on customer estimates based on a standard combine harvester. Your particular cost savings may vary.

© SKF is a registered trademark of the SKF Group.

© SKF Group 2010

The contents of this publication are the copyright of the publisher and may not be reproduced (even extracts) unless prior written permission is granted. Every care has been taken to ensure the accuracy of the information contained in this publication but no liability can be accepted for any loss or damage whether direct, indirect or consequential arising out of the use of the information contained herein. Any cost savings and revenue increases in this publication are based on results experienced by SKF customers and do not constitute a guarantee that any future results will be the same.

PUB 46/S7 10328 EN · September 2010

Printed in Sweden on environmentally friendly paper.

Certain image(s) used under license from Shutterstock.com.

