

Reference and service guide

SKF rebuild kit for PreSet® hubs provide all the components necessary to refresh your PreSet wheel end, including specific, tighter toleranced SKF tapered bearing sets, SKF Scotseal PlusXL wheel seal, SKF TF hubcap (if applicable), and the OEM precision machined PreSet bearing spacer.

PreSet hub assemblies have been in the heavy truck market for upwards of 8 years and we are seeing more of these wheel ends coming in for their first major service. SKF rebuild kits put the extended life back into the wheel end assuring that it will keep on going for miles and years. Each kit comes with a 3 year warranty.

This easy to use reference guide is broken into three segments:

- Inspection and service—Recommended inspection and service intervals and procedures.
- Hub assemblies—Comprehensive cross reference list of hub assembly part numbers and the corresponding SKF rebuild kit.
- Interchanges—Complete component interchange list.



PreSet inspection and service recommendations

Driver pre-trip visual inspection:

- With parking brake set, walk around and visually inspect each wheel assembly for loose, damaged or missing fasteners or hubcaps.
- Check for oil leak at hubcap, axle flange gasket or fill plug.
- Check for lubricant on the hub, brake components or inside of wheel and tire.
- Δ If any of the above conditions are found, place the vehicle out of service until it can be repaired.

In conjunction with preventative maintenance schedule:

- Check all items listed in pre-trip visual inspection.
- Lift and support axle rotating the wheel and check that it rotates freely. Listen and feel for any signs of vibration or rough bearing operation.
- Δ If vibration or roughness exists or if any item from pre-trip inspection are noted, service hub as per the recommended service indicates.

Every 12 months or 100,000 miles (whichever comes first):

- Inspect external components for damage.
 - o Hubcap loose, damaged or missing components.
 - o Loose, damaged or missing fasteners.
 - Δ Replace as needed.
- Inspect for leaks.
 - o Check for wetness around hubcap area.
 - o Check for wetness on hub, brake hardware or brake shoes.
 - o Check for wetness at inboard seal.
 - Δ If lubricant present at any of the above areas, investigate cause and take corrective action.
- Inspect for proper lubricant level and condition.
 - o Check for contaminants such as water (milky or white appearance), metal (a magnet may be used), grit (feel for foreign material).
 - Δ If inspection indicates contamination, service hub as per the recommended service indicates.
- Conduct functional checks.
 - o Lift and support axle rotating the wheel and check that it rotates freely. Listen and feel for any signs of vibration or rough bearing operation.
 - o Check end play with dial indicator.
 - Δ If vibration or roughness exists or if end play exceeds 0.006-inch (0.15mm) service the hub as per the recommended service indicates.

Recommended service

- **Recommended service interval is 500,000 miles** or every second brake service for on-highway vocations. In more severe duty applications, this service may be required more often. Use the 12 month inspection criteria as indication as to whether more frequent service is needed.
- Replace inner and outer bearing cones and races, spacer, and seal. SKF rebuild kit for PreSet includes all the necessary components for the recommended service.

Note: For complete and detailed safety, inspection and service instructions, consult ConMet Service Manual for PreSet Hub Assemblies #10005642 which can be located at www.conmet.com.

Identifying PreSet hub assemblies

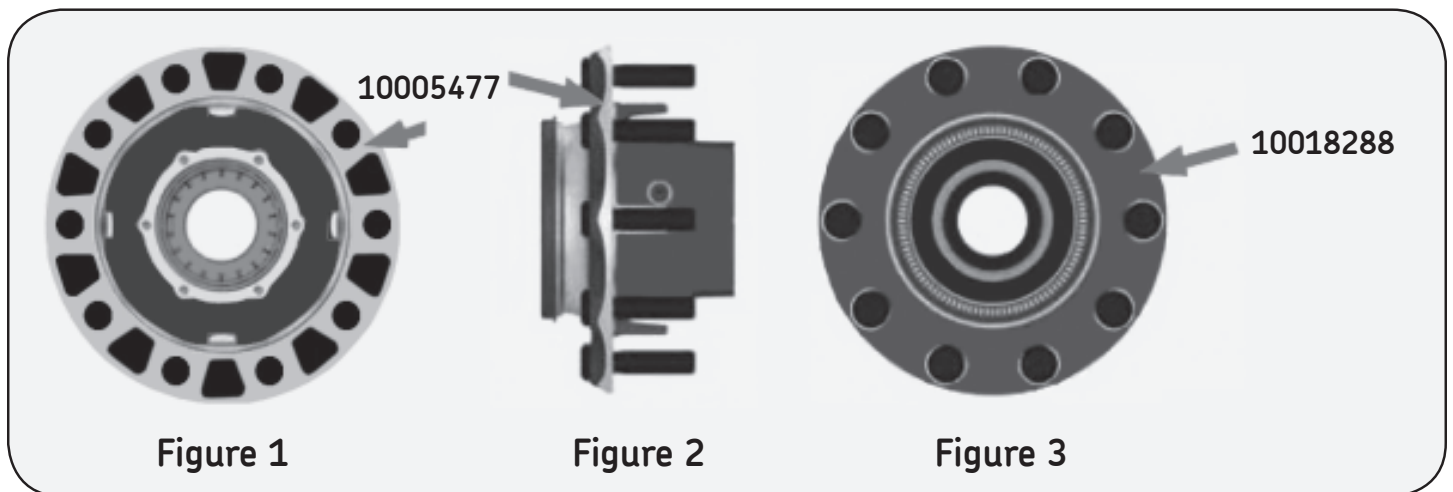
Identifying your hub assembly is an important first step to proper service. The PreSet hub assembly's unique design offers extended life when the proper parts are used and instructions followed.

Final hub assembly number

This number is stamped on one of the following:

- Mounting flange face (see Figure 1)
- Diameter of the mounting flange (see Figure 2)
- Back side of the mounting flange (see Figure 3)

The final hub assembly number identifies the hub assembly, hub machining, studs, bearings, spacer, seal and ABS ring.



ConMet assembly to SKF kit cross reference

ConMet assembly no.	SKF kit	Type of hub assembly	ConMet assembly no.	SKF kit	Type of hub assembly	ConMet assembly no.	SKF kit	Type of hub assembly
10001199	TPSK1 (Oil)	PreSet	10004011	RDSK2	PreSet	10005467	TNSK2 (Grease)	PreSet
10001199	TPSK2 (Grease)	PreSet	10004012	RDSK2	PreSet	10005468	TNSK1 (Oil)	PreSet
10001200	TPSK1 (Oil)	PreSet	10004013	RDSK2	PreSet	10005468	TNSK2 (Grease)	PreSet
10001200	TPSK2 (Grease)	PreSet	10004014	RDSK2	PreSet	10005469	TNSK1 (Oil)	PreSet
10001201	TPSK1 (Oil)	PreSet	10004015	RDSK2	PreSet	10005469	TNSK2 (Grease)	PreSet
10001201	TPSK2 (Grease)	PreSet	10004016	RDSK2	PreSet	10005470	TNSK1 (Oil)	PreSet
10001202	TPSK1 (Oil)	PreSet	10004017	RDSK2	PreSet	10005470	TNSK2 (Grease)	PreSet
10001202	TPSK2 (Grease)	PreSet	10004018	RDSK2	PreSet	10005471	TNSK1 (Oil)	PreSet
10001203	TPSK1 (Oil)	PreSet	10004019	RDSK2	PreSet	10005471	TNSK2 (Grease)	PreSet
10001203	TPSK2 (Grease)	PreSet	10004020	RDSK2	PreSet	10005472	TNSK1 (Oil)	PreSet
10001204	TPSK1 (Oil)	PreSet	10004021	RDSK2	PreSet	10005472	TNSK2 (Grease)	PreSet
10001204	TPSK2 (Grease)	PreSet	10004022	RDSK2	PreSet	10005473	TNSK1 (Oil)	PreSet
10001603	RDSK1	LMS	10004023	RDSK2	PreSet	10005473	TNSK2 (Grease)	PreSet
10003979	RDSK2	PreSet	10004024	RDSK2	PreSet	10005474	TNSK1 (Oil)	PreSet
10003980	RDSK2	PreSet	10004025	RDSK2	PreSet	10005474	TNSK2 (Grease)	PreSet
10003981	RDSK2	PreSet	10004026	RDSK2	PreSet	10005475	TNSK1 (Oil)	PreSet
10003982	RDSK2	PreSet	10004027	RDSK2	PreSet	10005475	TNSK2 (Grease)	PreSet
10003983	RDSK2	PreSet	10004028	RDSK2	PreSet	10005476	TNSK1 (Oil)	PreSet
10003984	RDSK2	PreSet	10004029	RDSK2	PreSet	10005476	TNSK2 (Grease)	PreSet
10003985	RDSK2	PreSet	10004030	RDSK2	PreSet	10005477	TNSK1 (Oil)	PreSet
10003986	RDSK2	PreSet	10004031	RDSK2	PreSet	10005477	TNSK2 (Grease)	PreSet
10003987	RDSK2	PreSet	10004032	RDSK2	PreSet	10005478	TNSK1 (Oil)	PreSet
10003988	RDSK2	PreSet	10004033	RDSK2	PreSet	10005478	TNSK2 (Grease)	PreSet
10003989	RDSK2	PreSet	10004034	RDSK2	PreSet	10005479	TNSK1 (Oil)	PreSet
10003990	RDSK2	PreSet	10005274	RDSK2	PreSet	10005479	TNSK2 (Grease)	PreSet
10003991	RDSK2	PreSet	10005275	RDSK2	PreSet	10005480	TNSK1 (Oil)	PreSet
10003992	RDSK2	PreSet	10005276	RDSK2	PreSet	10005480	TNSK2 (Grease)	PreSet
10003993	RDSK2	PreSet	10005277	RDSK2	PreSet	10005566	RDSK1	LMS
10003994	RDSK2	PreSet	10005389	TPSK1 (Oil)	PreSet	10005567	RDSK1	LMS
10003995	RDSK2	PreSet	10005389	TPSK2 (Grease)	PreSet	10005568	RDSK1	LMS
10003996	RDSK2	PreSet	10005390	TPSK1 (Oil)	PreSet	10005569	RDSK1	LMS
10003997	RDSK2	PreSet	10005390	TPSK2 (Grease)	PreSet	10005572	RDSK1	LMS
10003998	RDSK2	PreSet	10005391	TPSK1 (Oil)	PreSet	10005573	RDSK1	LMS
10003999	RDSK2	PreSet	10005391	TPSK2 (Grease)	PreSet	10005574	RDSK1	LMS
10004000	RDSK2	PreSet	10005392	TPSK1 (Oil)	PreSet	10005575	RDSK1	LMS
10004001	RDSK2	PreSet	10005392	TPSK2 (Grease)	PreSet	10005578	RDSK1	LMS
10004002	RDSK2	PreSet	10005393	TPSK1 (Oil)	PreSet	10005579	RDSK1	LMS
10004003	RDSK2	PreSet	10005393	TPSK2 (Grease)	PreSet	10005580	RDSK1	LMS
10004004	RDSK2	PreSet	10005394	TPSK1 (Oil)	PreSet	10005581	RDSK1	LMS
10004005	RDSK2	PreSet	10005394	TPSK2 (Grease)	PreSet	10005582	RDSK1	LMS
10004006	RDSK2	PreSet	10005395	TPSK1 (Oil)	PreSet	10005583	RDSK1	LMS
10004007	RDSK2	PreSet	10005395	TPSK2 (Grease)	PreSet	10005611	FFSK1	LMS
10004008	RDSK2	PreSet	10005396	TPSK1 (Oil)	PreSet	10005613	FFSK1	LMS
10004009	RDSK2	PreSet	10005396	TPSK2 (Grease)	PreSet	10005615	FFSK1	LMS
10004010	RDSK2	PreSet	10005467	TNSK1 (Oil)	PreSet	10005616	FFSK1	LMS

Bolded part numbers indicate most popular.

ConMet assembly to SKF kit cross reference—cont.

ConMet assembly no.	SKF kit	Type of hub assembly	ConMet assembly no.	SKF kit	Type of hub assembly	ConMet assembly no.	SKF kit	Type of hub assembly
10008654	RDSK2	PreSet	10008954	RDSK2	PreSet	10009662	TPSK1 (Oil)	LMS
10008655	RDSK2	PreSet	10008955	RDSK2	PreSet	10009662	TPSK2 (Grease)	LMS
10008656	RDSK2	PreSet	10008956	RDSK2	PreSet	10009663	TPSK1 (Oil)	LMS
10008657	RDSK2	PreSet	10009111	TNSK1 (Oil)	LMS	10009663	TPSK2 (Grease)	LMS
10008658	RDSK2	PreSet	10009111	TNSK2 (Grease)	LMS	10009664	TPSK1 (Oil)	LMS
10008659	RDSK2	PreSet	10009112	TNSK1 (Oil)	LMS	10009664	TPSK2 (Grease)	LMS
10008660	RDSK2	PreSet	10009112	TNSK2 (Grease)	LMS	10009665	TNSK1 (Oil)	LMS
10008661	RDSK2	PreSet	10009113	TNSK1 (Oil)	LMS	10009665	TNSK2 (Grease)	LMS
10008662	RDSK2	PreSet	10009113	TNSK2 (Grease)	LMS	10009666	TNSK1 (Oil)	LMS
10008663	RDSK2	PreSet	10009114	TNSK1 (Oil)	LMS	10009666	TNSK2 (Grease)	LMS
10008664	RDSK2	PreSet	10009114	TNSK2 (Grease)	LMS	10009667	TNSK1 (Oil)	LMS
10008665	RDSK2	PreSet	10009115	TNSK1 (Oil)	LMS	10009667	TNSK2 (Grease)	LMS
10008672	RDSK2	PreSet	10009115	TNSK2 (Grease)	LMS	10009668	TNSK1 (Oil)	LMS
10008673	RDSK2	PreSet	10009116	TNSK1 (Oil)	LMS	10009668	TNSK2 (Grease)	LMS
10008674	RDSK2	PreSet	10009116	TNSK2 (Grease)	LMS	10009669	TNSK1 (Oil)	LMS
10008675	RDSK2	PreSet	10009117	TNSK1 (Oil)	LMS	10009669	TNSK2 (Grease)	LMS
10008676	RDSK2	PreSet	10009117	TNSK2 (Grease)	LMS	10009670	TNSK1 (Oil)	LMS
10008677	RDSK2	PreSet	10009118	TNSK1 (Oil)	LMS	10009670	TNSK2 (Grease)	LMS
10008678	RDSK2	PreSet	10009118	TNSK2 (Grease)	LMS	10009671	TNSK1 (Oil)	LMS
10008679	RDSK2	PreSet	10009119	TNSK1 (Oil)	LMS	10009671	TNSK2 (Grease)	LMS
10008680	RDSK2	PreSet	10009119	TNSK2 (Grease)	LMS	10009672	TNSK1 (Oil)	LMS
10008681	RDSK2	PreSet	10009120	TNSK1 (Oil)	LMS	10009672	TNSK2 (Grease)	LMS
10008682	RDSK2	PreSet	10009120	TNSK2 (Grease)	LMS	10009673	TNSK1 (Oil)	LMS
10008683	RDSK2	PreSet	10009121	TNSK1 (Oil)	LMS	10009673	TNSK2 (Grease)	LMS
10008699	RDSK1	LMS	10009121	TNSK2 (Grease)	LMS	10009674	TNSK1 (Oil)	LMS
10008700	RDSK1	LMS	10009122	TNSK1 (Oil)	LMS	10009674	TNSK2 (Grease)	LMS
10008701	RDSK1	LMS	10009122	TNSK2 (Grease)	LMS	10009675	TNSK1 (Oil)	LMS
10008702	RDSK1	LMS	10009135	TPSK1 (Oil)	LMS	10009675	TNSK2 (Grease)	LMS
10008703	RDSK1	LMS	10009135	TPSK2 (Grease)	LMS	10009676	TNSK1 (Oil)	LMS
10008704	RDSK1	LMS	10009136	TPSK1 (Oil)	LMS	10009676	TNSK2 (Grease)	LMS
10008705	RDSK1	LMS	10009136	TPSK2 (Grease)	LMS	10009677	TNSK1 (Oil)	LMS
10008706	RDSK1	LMS	10009137	TPSK1 (Oil)	LMS	10009677	TNSK2 (Grease)	LMS
10008707	RDSK1	LMS	10009137	TPSK2 (Grease)	LMS	10009678	TNSK1 (Oil)	LMS
10008708	RDSK1	LMS	10009138	TPSK1 (Oil)	LMS	10009678	TNSK2 (Grease)	LMS
10008709	RDSK1	LMS	10009138	TPSK2 (Grease)	LMS	10009679	TPSK1 (Oil)	LMS
10008710	RDSK1	LMS	10009657	TPSK1 (Oil)	LMS	10009679	TPSK2 (Grease)	LMS
10008945	RDSK2	PreSet	10009657	TPSK2 (Grease)	LMS	10009680	TPSK1 (Oil)	LMS
10008946	RDSK2	PreSet	10009658	TPSK1 (Oil)	LMS	10009680	TPSK2 (Grease)	LMS
10008947	RDSK2	PreSet	10009658	TPSK2 (Grease)	LMS	10009681	TPSK1 (Oil)	LMS
10008948	RDSK2	PreSet	10009659	TPSK1 (Oil)	LMS	10009681	TPSK2 (Grease)	LMS
10008949	RDSK2	PreSet	10009659	TPSK2 (Grease)	LMS	10009682	TPSK1 (Oil)	LMS
10008950	RDSK2	PreSet	10009660	TPSK1 (Oil)	LMS	10009682	TPSK2 (Grease)	LMS
10008951	RDSK2	PreSet	10009660	TPSK2 (Grease)	LMS	10009683	TPSK1 (Oil)	LMS
10008952	RDSK2	PreSet	10009661	TPSK1 (Oil)	LMS	10009683	TPSK2 (Grease)	LMS
10008953	RDSK2	PreSet	10009661	TPSK2 (Grease)	LMS	10009684	TPSK1 (Oil)	LMS

Bolded part numbers indicate most popular.

ConMet assembly to SKF kit cross reference—cont.

ConMet assembly no.	SKF kit	Type of hub assembly	ConMet assembly no.	SKF kit	Type of hub assembly	ConMet assembly no.	SKF kit	Type of hub assembly
10009684	TPSK2 (Grease)	LMS	10016437	RDSK1	LMS	10018291	FFSK1	PreSet
10009685	TPSK1 (Oil)	LMS	10016438	RDSK1	LMS	10018292	FFSK1	PreSet
10009685	TPSK2 (Grease)	LMS	10016527	FFSK1	PreSet	10018293	FFSK1	PreSet
10009686	TPSK1 (Oil)	LMS	10016528	FFSK1	PreSet	10018300	FFSK1	PreSet
10009686	TPSK2 (Grease)	LMS	10016529	FFSK1	PreSet	10018306	FFSK1	PreSet
10009687	TPSK1 (Oil)	LMS	10016533	FFSK1	PreSet	10018318	RDSK2	PreSet
10009687	TPSK2 (Grease)	LMS	10016534	FFSK1	PreSet	10018319	RDSK2	PreSet
10009688	TPSK1 (Oil)	LMS	10016535	FFSK1	PreSet	10018320	RDSK2	PreSet
10009688	TPSK2 (Grease)	LMS	10016536	FFSK1	PreSet	10018321	RDSK2	PreSet
10009689	TPSK1 (Oil)	LMS	10016548	FFSK1	PreSet	10019788	FFSK1	PreSet
10009689	TPSK2 (Grease)	LMS	10017880	FFSK1	PreSet	10019789	FFSK1	PreSet
10009690	TPSK1 (Oil)	LMS	10017882	FFSK1	PreSet	10020295	RDSK2	PreSet
10009690	TPSK2 (Grease)	LMS	10018162	FFSK1	LMS	10020296	RDSK2	PreSet
10009691	TPSK1 (Oil)	LMS	10018223	FFSK1	LMS	10020297	RDSK2	PreSet
10009691	TPSK2 (Grease)	LMS	10018224	FFSK1	LMS	10020298	RDSK2	PreSet
10009692	TPSK1 (Oil)	LMS	10018225	FFSK1	LMS	10020299	RDSK2	PreSet
10009692	TPSK2 (Grease)	LMS	10018226	FFSK1	LMS	10020300	RDSK2	PreSet
10012161	RDSK2	PreSet	10018227	FFSK1	LMS	10020301	RDSK2	PreSet
10012162	RDSK2	PreSet	10018242	FFSK1	PreSet	10020302	RDSK2	PreSet
10012163	RDSK2	PreSet	10018243	FFSK1	PreSet	10020638	RDSK2	PreSet
10012164	RDSK2	PreSet	10018244	FFSK1	PreSet	10020639	RDSK2	PreSet
10014669	TPSK1 (Oil)	PreSet	10018262	FFSK1	LMS	10023536	RDSK2	PreSet
10014669	TPSK2 (Grease)	PreSet	10018263	FFSK1	LMS	10023537	RDSK2	PreSet
10016230	FFSK1	PreSet	10018264	FFSK1	LMS	10023572	FFSK1	PreSet
10016430	RDSK1	LMS	10018265	FFSK1	LMS	10023573	RDSK2	PreSet
10016431	RDSK1	LMS	10018266	FFSK1	LMS	10023574	RDSK2	PreSet
10016432	RDSK1	LMS	10018267	FFSK1	LMS	10023577	RDSK2	PreSet
10016433	RDSK1	LMS	10018288	FFSK1	PreSet	10023578	RDSK2	PreSet
10016435	RDSK1	LMS	10018289	FFSK1	PreSet			
10016436	RDSK1	LMS	10018290	FFSK1	PreSet			

Bolded part numbers indicate most popular.

Half stand interchanges

PreSet half stand interchanges

ConMet set no.	SKF set no.	SKF cone	SKF cup	Timken PreSet set no.	Timken cone	Timken cup	Position
107500	SET427	RBT10433	LBT10433	SET427	NP899357	NP026773	Inner FF front
107500	SET427	RBT10433	LBT10433	SET427	NP899357	NP026773	Outer TN trailer
107501	SET428	RBT10429	LBT10429	SET428	NP874005	NP435398	Outer FF front
107502	SET429	RBT10434	LBT10434	SET429	NP034946	NP363298	Inner R drive
107503	SET430	RBT10431	LBT10431	SET430	NP840302	NP053874	Outer R drive
107504	SET431	RBT10430	LBT10430	SET431	NP965350	NP503727	Inner TN trailer
107506	SET432	RBT10426	LBT10426	SET432	NP174964	NP593561	Inner/Outer TP trailer

Cone/Cup and spacer not sold separate.

LMS half stand interchanges

ConMet set no.	SKF set no.	SKF cone	SKF cup	Timken LMS set no.	Timken cone	Timken cup	Position
107500	SET427	RBT1-0433	LBT1-0433	SET433	NP431952	NP378092	Inner FF front
107500	SET427	RBT1-0433	LBT1-0433	SET433	NP431952	NP378092	Outer TN trailer
107501	SET428	RBT1-0429	LBT1-0429	SET434	NP555065	NP720703	Outer FF front
107502	SET429	RBT1-0434	LBT1-0434	SET435	NP588900	NP107783	Inner R drive
107503	SET430	RBT1-0431	LBT1-0431	SET436	NP577914	NP975161	Outer R drive
107504	SET431	RBT1-0430	LBT1-0430	SET437	NP022333	NP250023	Inner TN trailer
107506	SET432	RBT1-0426	LBT1-0426	SET438	NP417549	NP156827	Inner/Outer TP trailer

Cone/Cup and spacer not sold separate.

Seal interchanges

ConMet part no.	SKF seal no.	Eaton part no.	Position
10005430 / 107551	35058	847	FF Front
10008717	47691	861	RD Drive LMS
10005431 / 107552	47692	861	RD Drive PreSet
10005432 / 107553	46300	859	TN Trailer
10005433 / 107554	42627	851	TP Trailer

Front steer axles

FF front steer axle

Complete rebuild kit*	FFSK1
Scotseal PlusXL	35058
Inner half stand bearing set.....	Set427
Outer half stand bearing set.....	Set428
Scotseal TF oil bath hubcap	1612

Drive axles

R drive axle long and short barrel

Complete rebuild kit (low profile seal)*	RDSK1
Scotseal PlusXL	47691
Inner half stand bearing set.....	Set429
Outer half stand bearing set.....	Set430

Complete rebuild kit (standard profile seal)*	RDSK2
Scotseal PlusXL	47692
Inner half stand bearing set.....	Set429
Outer half stand bearing set.....	Set430

*Spacer not sold separately

Trailer axles

TN trailer axle

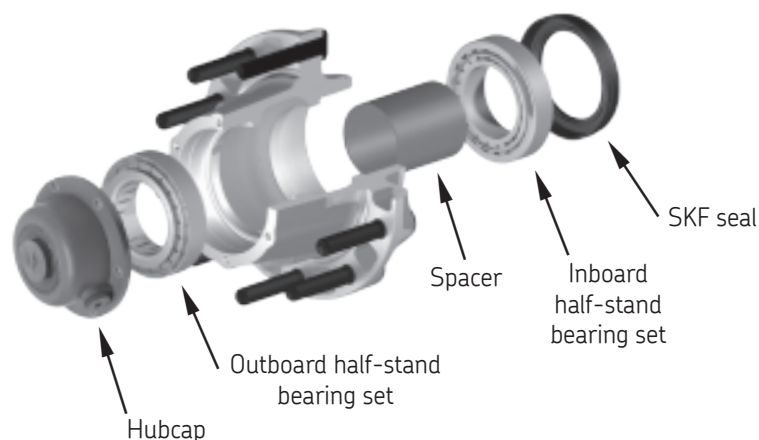
Complete rebuild kit (oil bath)*	TNSK1
Scotseal PlusXL.....	46300
Inner half stand bearing set.....	Set431
Outer half stand bearing set	Set427
Scotseal TF oil bath hubcap.....	1643

Complete rebuild kit (grease)*	TNSK2
Scotseal PlusXL.....	46300
Inner half stand bearing set.....	Set431
Outer half stand bearing set	Set427
Scotseal grease hubcap	1343

TP trailer axle

Complete rebuild kit (oil bath)*	TPSK1
Scotseal PlusXL.....	42627
Inner half stand bearing set.....	Set432
Outer half stand bearing set	Set432
Scotseal TF oil bath hubcap.....	1696

Complete rebuild kit (grease)*	TPSK2
Scotseal PlusXL.....	42627
Inner half stand bearing set.....	Set432
Outer half stand bearing set	Set432
Scotseal grease hubcap	1399



The contents of this publication are the copyright of the publisher and may not be reproduced (even extracts) unless written permission is granted. Every care has been taken to ensure the accuracy of the information contained in this publication but no liability can be accepted for any loss or damage whether direct, indirect or consequential arising out of the information contained herein. SKF reserves the right to alter any part of this publication without prior notice.

- SKF and Scotseal are registered trademarks of the SKF Group.
- PreSet and ConMet are registered trademarks of Consolidated Metco, Inc. All trade names referenced are the service mark, trademark, or registered trademark of the respective manufacturer.
- LMS is a registered trademark of Dana Spicer. All trade names referenced are the service mark, trademark, or registered trademark of the respective manufacturer.

SKF VSM
890 N. State Street
Suite 200
Elgin, IL 60123
800-882-0008
www.vsm.skf.com