



# For a perfect fit, ask for the kit.

The only all-in-one rebuild kit for PreSet® Hub Assemblies



# Extend the life of your PreSet Hub Assembly

## PreSet reliability and SKF quality in one convenient box

The PreSet hub assembly was introduced in 1995. Since 2002, the SKF Scotseal PlusXL has been the primary wheel seal in the OE wheel-end system. SKF, the aftermarket leader, provides an all-inclusive rebuild kit that has everything needed for servicing the PreSet wheel-end.

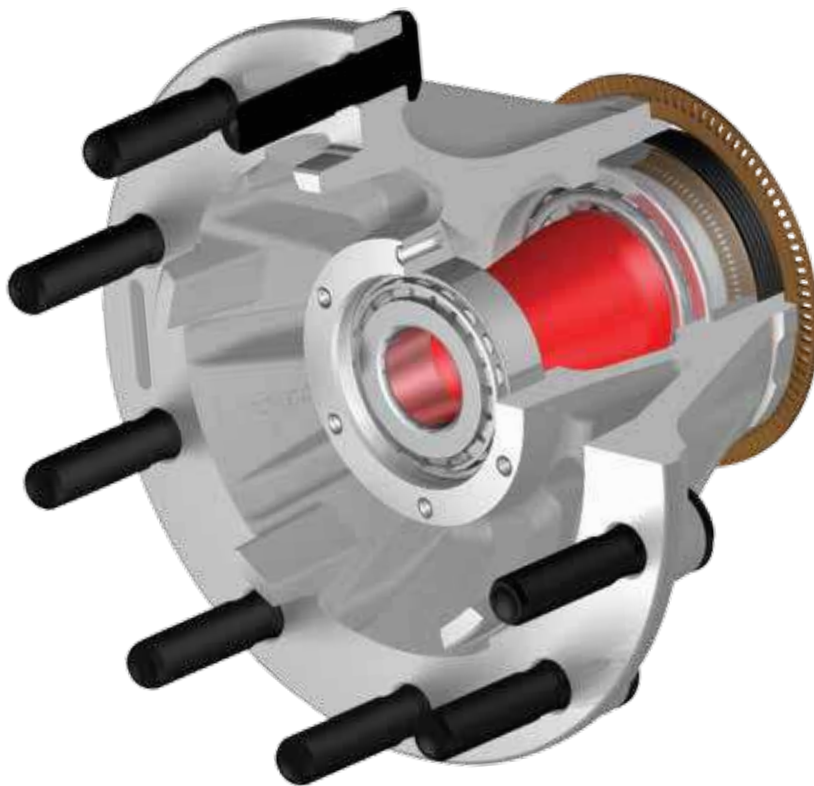
SKF rebuild kits contain specific, tighter toleranced tapered bearing sets, SKF Scotseal PlusXL wheel seal, SKF TF hubcap (if applicable), and a precision machined PreSet bearing spacer.



About the  
SKF rebuild kit  
for PreSet



Installing the  
rebuild kit for  
PreSet



### SKF half stand tapered bearing sets (2)

- Original equipment approved
- Superior design and materials reduce friction and provide excellent reliability under heavy loads and misaligned conditions
- Global OE supplier

# with the SKF rebuild kit

## Why install the kit, instead of off-the-shelf components?

While you could pull the spacer and rebuild your PreSet wheel end with individual components from several suppliers, there are some compelling reasons to install the SKF rebuild kit for PreSet:

**Reduce fleet downtime** – Unlike off-the-shelf components, all of the kit's parts are manufactured to SKF's and ConMet's specifications, ultimately reducing downtime and lowering operating costs.

**Simpler installation** – One procedure regardless of axle type, eliminating potential failures due to error; no need for complicated torquing and use of a dial indicator.

**Extended 3-year warranty** – In addition, by installing the SKF rebuild kit for PreSet, you will receive an extended 3-year warranty on these SKF wheel end components.

**Longer service life** – Because the kit meets the exact specifications of the original PreSet system components, you can expect the same kind of reliability and performance from your rebuilt wheel end.



### SKF Scotseal® PlusXL

- The most advanced generation Scotseal, standard in PreSet hub assemblies since 2002
- Hydrogenated Nitrile Butadiene Rubber (HNBR) construction is ideal for frequent braking applications
- Heat resistance up to 300° F; compatible with synthetic lubricants
- Excellent exclusion properties, even in harsh conditions
- Hand-installable design includes a fat footprint ensuring stability on the shaft



### Precision machined PreSet spacer

- Manufactured of high-strength alloy to precise tolerances
- Eliminates need for manual end play adjustment
- Proprietary machined bearing spacer along with the SKF specifically toleranced bearings provides the most reliable bearing end-play setting, optimizing wheel end life
- Eliminates the need to verify adjustment with a dial indicator



### SKF TF hubcap

- Lightweight DuPont Zytel® material is stronger than aluminum, resisting impact damage, chemicals, UV and ozone
- Embedded, solid aluminum ring distributes an even, leak-proof load against the hub
- Cloud-free window is fusion-bonded to body – no screws to shake loose and no leaking
- Molded pressure ridge on flange bites into sealing gasket to ensure leak-proof fit



SKF rebuild kits for PreSet are available now from your SKF distributor or OE dealer. See listing below to find the correct kit to fit your application.

For more information, visit [www.vsm.skf.com](http://www.vsm.skf.com)

## Front steer axles

### FF front steer axle

|  |              |
|--|--------------|
| <b>Complete rebuild kit*</b> . . . . . | <b>FFSK1</b> |
| Scotseal PlusXL. . . . .               | .35058       |
| Inner half stand bearing set . . . . . | Set427       |
| Outer half stand bearing set . . . . . | Set 428      |
| Scotseal TF oil bath hubcap . . . . .  | .1612        |
| Spacer. . . . .                        | .103592*     |

## Drive axles

### R drive axle long and short barrel

|   |              |
|---|--------------|
| <b>Complete rebuild kit (low profile seal)*</b> . . . . . | <b>RDSK1</b> |
| Scotseal PlusXL. . . . .                                  | .47691       |
| Inner half stand bearing set . . . . .                    | Set429       |
| Outer half stand bearing set . . . . .                    | Set430       |
| Spacer. . . . .   | .103593*     |

## Trailer axles

### TN trailer axle

|   |              |
|---|--------------|
| <b>Complete rebuild kit (oil bath)*</b> . . . . . | <b>TNSK1</b> |
| Scotseal PlusXL. . . . .                          | .46300       |
| Inner half stand bearing set . . . . .            | Set431       |
| Outer half stand bearing set . . . . .            | Set427       |
| Scotseal TF oil bath hubcap . . . . .             | .1643        |
| Spacer. . . . .                                   | .104144*     |

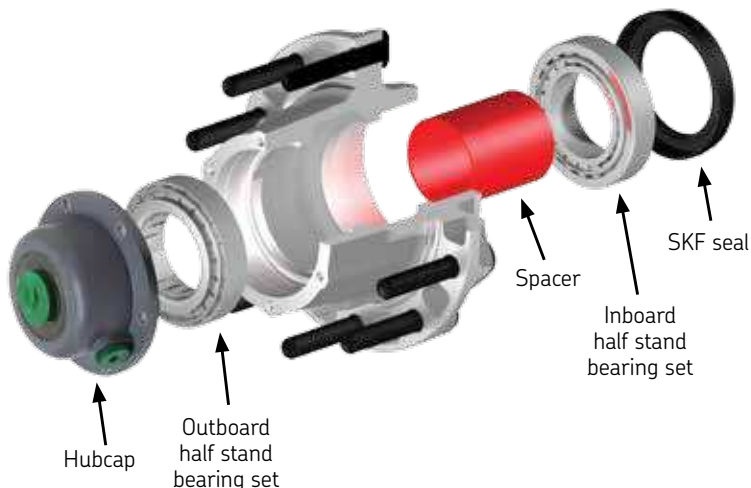
|   |              |
|---|--------------|
| <b>Complete rebuild kit (grease)*</b> . . . . . | <b>TNSK2</b> |
| Scotseal PlusXL. . . . .                        | .46300       |
| Inner half stand bearing set . . . . .          | Set431       |
| Outer half stand bearing set . . . . .          | Set427       |
| Scotseal grease hubcap. . . . .                 | .1343        |
| Spacer. . . . .                                 | .104144*     |

### TP trailer axle

|   |              |
|---|--------------|
| <b>Complete rebuild kit (oil bath)*</b> . . . . . | <b>TPSK1</b> |
| Scotseal PlusXL. . . . .                          | .42627       |
| Inner half stand bearing set . . . . .            | Set432       |
| Outer half stand bearing set . . . . .            | Set432       |
| Scotseal TF oil bath hubcap . . . . .             | .1696        |
| Spacer. . . . .                                   | .104412*     |

|   |              |
|---|--------------|
| <b>Complete rebuild kit (grease)*</b> . . . . . | <b>TPSK2</b> |
| Scotseal PlusXL. . . . .                        | .42627       |
| Inner half stand bearing set . . . . .          | Set432       |
| Outer half stand bearing set . . . . .          | Set432       |
| Scotseal grease hubcap. . . . .                 | .1399        |
| Spacer. . . . .                                 | .104412*     |

\*Spacer not sold separately



The contents of this publication are the copyright of the publisher and may not be reproduced (even extracts) unless written permission is granted. Every care has been taken to ensure the accuracy of the information contained in this publication but no liability can be accepted for any loss or damage whether direct, indirect or consequential arising out of the use of the information contained herein. SKF reserves the right to alter any part of this publication without prior notice.

- SKF and Scotseal are registered trademarks of the SKF Group.
- PreSet is a registered trademark of Consolidated Metco, Inc. All trade names referenced are the service mark, trademark, or registered trademark of the respective manufacturer.



View detailed technical and product videos at [www.skfpartsinfo.tv](http://www.skfpartsinfo.tv)



Follow us on Twitter @skfpartsinfo to stay on top of all the latest technical and product information.

SKF VSM  
890 State Street  
Suite 200  
Elgin, IL 60123  
800-882-0008  
[www.vsm.skf.com](http://www.vsm.skf.com)