

Control unit

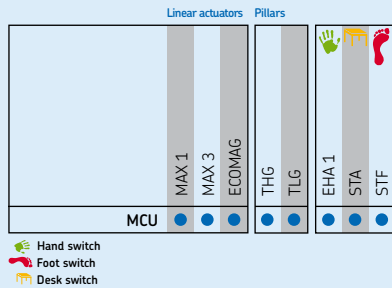
MCU

Benefits

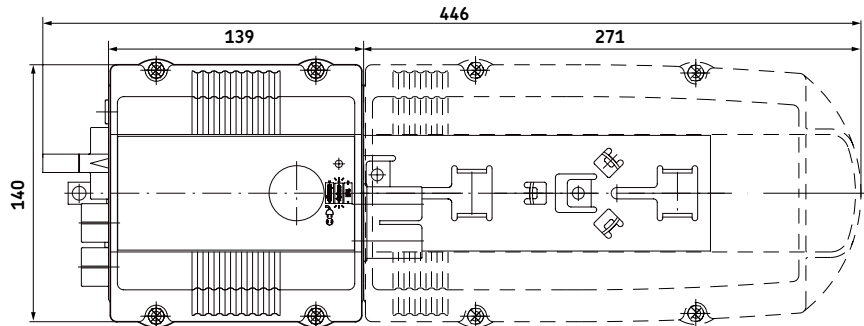
- Suitable for mobile applications
- LED indication for battery charge level
- Audible signal for low charge condition



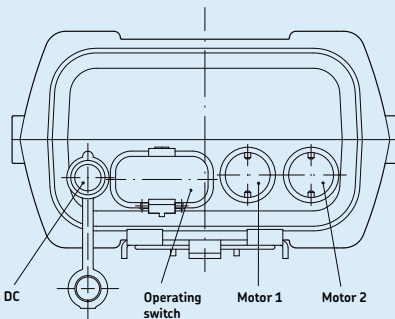
Suitable actuators, pillars and accessories



Dimensional drawing



Connecting diagram



Technical data

	Unit	MCU
Motor ports	#	2
Operating device ports	#	1
Battery ports	#	1
Limit switch ports	#	0
Single fault safety	yes/no	no
Encoder processing	yes/no	no
Input voltage	V DC	28
Frequency	Hz	N/A
Input current (max)	A	0,5
Standby power	W	N/A
Output voltage	V DC	24
Output current (max)	A	9,5
Duty cycle: intermittent	min.	1 min./9 min.
Duty cycle: short time	min.	N/A
Ambient temperature	°C	+10 to +40
Humidity	%	85
Type of protection	IP	x4
Approvals	EN/UL	EN 60601-1/EN 60601-1-2/ UL 2601/EN ISO 10535
Weight	kg	4,9

Ordering key

M	C	U	1		-	0	0	3				-	0	0	0	0
---	---	---	---	--	---	---	---	---	--	--	--	---	---	---	---	---

Type

Number of channels:

1 channel
2 channels

1
2

Option:

Current cut-off 6 A
Current cut-off 9 A
Current cut-off 6 A, electric emergency lowering of channel 1
Current cut-off 9 A, electric emergency lowering of channel 1
Individual current cut-off 6 A (only for 2-channel version)

000
EXP
EYE
2AT
EYR

Accessories

Description	Plug	Designation	Order N°
Battery unit 4,5 Ah		ZBA-142211	M/0100667
Mains adapter 230 V AC	Euro	ZDV-142331-2500	M/0100009
Mains adapter 120 V AC	UL	ZDV-142332-2500	M/0100060
Wall charging station		ZLA-142221	M/0100371
Tool for connectors (Jack/D-Sub/Mains)		ZWS-140375	M/0125322

© SKF is a registered trademark of the SKF Group

© SKF Group 2009

The contents of this publication are the copyright of the publisher and may not be reproduced (even extracts) unless prior written permission is granted. Every care has been taken to ensure the accuracy of the information contained in this publication but no liability can be accepted for any loss or damage whether direct, indirect or consequential arising out of the use of the information contained herein.

Printed in Sweden on environmentally friendly paper.

PUB L5328,2931 EN · November 2009

