

# Control unit

SCU

## Benefits

- Compact 6-channel actuator control unit
- Single fault safety
- Overload and over-temperature protection
- Approved for medical applications
- Easy to clean
- Low standby current
- Remote control RS232

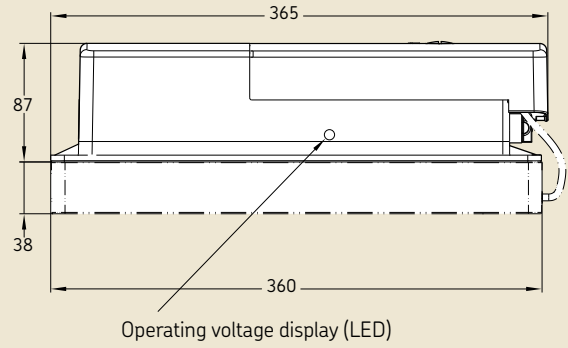


Suitable actuators, pillars and accessories

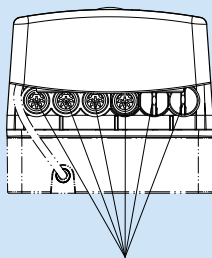
	Linear actuators					Pillars					Accessories					
	Magdrive MD22, MD23	RU20, RU21, RU22	RU23, RU24, RU25	MAX 10, MAX 30	ECO4F, ECO5F, ECO8F, ECO9F	THG 10	TLG 10	CPMT1	TLT 10	TFG 10	EHA 3	STJ	STE			
SCU 1	•	•	•	•	•	•	•	•	•	•	•	•	•	•	•	•
SCU 5	•	•	•	•	•	•	•	•	•	•	•	•	•	•	•	•
SCU 9	•	•	•	•	•	•	•	•	•	•	•	•	•	•	•	•

-  Hand switch
-  Foot switch
-  Desk switch

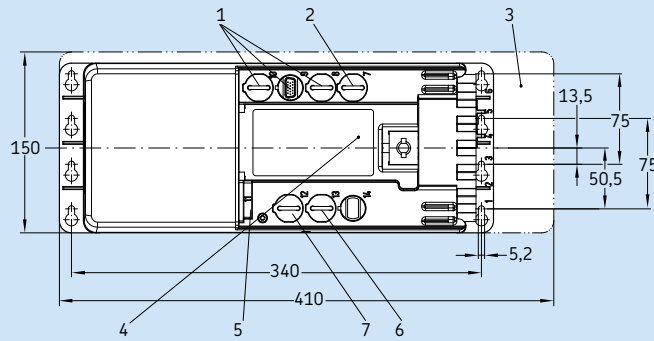
Dimensional drawing



Connecting diagram



Up to 6 connections with DIN8 plug



1. Three connections for HD15 operating devices
2. HD15 limit switch connection
3. Additional space for mounting
4. Data plate software
5. Mains connection
6. D-Sub 9 battery connection (optional)
7. Communication interface (optional)

Technical data

	Unit	SCU 1	SCU 5	SCU 9
Motor ports (DIN8)	#	6	3 or 6	3 or 6
Operating device ports (HD15)	#	3	3	3
Battery ports (DSub9)	#	1	1	1
Limit switch ports (HD15)	#	4	4	4
Single fault safety	yes/no	yes	yes	yes
Encoder processing	yes/no	yes	yes	yes
Input voltage	V	24 DC	120 AC	230 AC
Frequency	Hz	N/A	60	50
Input current (max)	A	30	6,5	3,3
Standby power	W	0,8	4,3	4,3
Output voltage	V DC	24	24	24
Output current (max)	A	30	18	18
Duty cycle: intermittent	min.	1 min./9 min.	1 min./9 min.	1 min./9 min.
Duty cycle: short time	min.	2	2	2
Ambient temperature	°C	+5 to +40	+5 to +40	+5 to +40
Humidity	%	5 to 85	5 to 85	5 to 85
Type of protection	IP	x4	x4	x4
Approvals	EN/UL	EN 60601-1 UL 60601-1	EN 60601-1 UL 60601-1	EN 60601-1 UL 60601-1
Weight without battery	kg	1,2	3,8	3,8
Weight with battery	kg	4,2	6,8	6,8

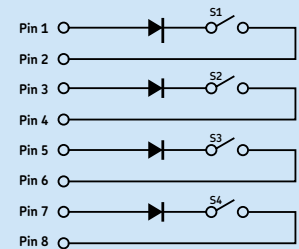
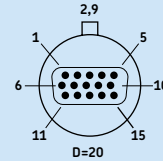
## Pinning of HD15 limit switch connection on request (needs a customized SCP)

Function	Pin	Wire color (ZKA-160627-2500)	Connecting diagram
----------	-----	------------------------------	--------------------

Switch 1	2	brown/green	
Switch 2	4	red/blue	
Switch 3	6	violet	
Switch 4	8	red	
24 V DC (com)	1, 3, 5, 7	white/yellow, white/green, grey/pink, black	

Optional external power supply for binary outputs	9	blue	
---	---	------	--

Binary output 1 (22-40 V DC/1 A)	10	pink	
Binary output 2 (22-40 V DC/1 A)	11	grey	
GND for binary outputs	12	yellow	
20-24 V DC, max. 50 mA	13	green	
5 V DC pulsed	14	brown	
GND	15	white	



## Accessories

	Plug	Designation	Order N°
Mains cable, 3 pole	Schuko	ZKA-160637-3500	M/0118821
Mains cable, 3 pole	SEV	ZKA-160638-3500	M/0118822
Mains cable, 3 pole	UL	ZKA-160639-3500	M/0105588
Mains cable, 3 pole	UK	ZKA-160609-3500	M/0105631
Mains cable, 3 pole	UL, hospital grade	ZKA-160640-3500	M/0118823
Battery pack 2,7 Ah		ZBA-160208-0400	M/0118806
Rack for 4,5 Ah battery		ZBA-160207-1000	M/0126155
Detachable battery 4,5 Ah		ZBA-160209	M/0126154

Ordering keys

SCU - 003 - 0000

Type

SCU control unit

Voltage:

24 V DC (only for 6-channel version)  
 120 V AC, 60 Hz, class I  
 230 V AC, 50 Hz, class I

1  
 5  
 9

Number of channels:

3 channels  
 6 channels

3  
 6

Battery:

None (only for SCU16)  
 Prepared for mounting of battery  
 Under floor 2.7 Ah battery mounted

1  
 2  
 3

Transformer:

None (only for SCU16)  
 Standard (AC version)

0  
 3

Interface:

Without RS232  
 With RS232 (only for 6-channel version)

0  
 1

EACH SCU NEEDS A SCP

SCP - - - - - 000

Type

SCU parameterization

Functionality:

All channels individually  
 Channel 2+1(+1+1+1)  
 Six (6) channel version 2+2+1+1  
 Three (3) channel version, all channels synchronously  
 Six (6) channel version 3+1+1+1  
 Six (6) channel version 4+1+1  
 Six (6) channel version, all channels synchronously  
 Trendelenburg T+1 (+1+1)

11  
 21  
 22  
 30  
 31  
 41  
 60  
 T1

Actuators:

A	ECO4F, ECO5F	3,7 A	Actuator 1	-		
C	TLT 10*	4,7 A	Actuator 2	-	-	
E	TFG10, ECO8F, ECO9F	5,7 A	Actuator 3		-	
M	MAX10, MAX30, TLG10, THG10	6,7 A	Actuator 4			_*
R	RU20, RU21, RU22	8,5 A	Actuator 5			_*
D	MD22, MD23	8,5 A	Actuator 6			_*
U	RU23, RU24, RU25	11,7 A				
S	CPMT1-1	11,7 A				
T	CPMT1-2	10,2 A				

\* for SCUx3: insert zero

Softstart:

Hard  
 Medium  
 Soft (on request)

0  
 3  
 6

The SCU solution offers many more possibilities than those given in the type keys. Please feel free to ask for more functions like "virtual limit switches", "external limit switches" and so on.

\* TLT is a 2-motor actuator. If simultaneous run is needed, SCP21-CC... is recommended

