

Linear actuator

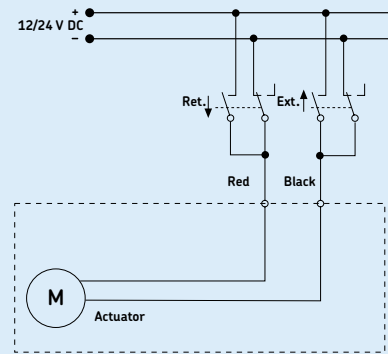
CAHB-20 series

Benefits

- ACME screw drive
- Extension tube (stainless steel)
- Protection tube (steel)
- Enhanced corrosion resistance
- Mechanical overload protection (clutch)
- Lubricated for service life
- Robust, designed for tough environment
- Self-locking
- Certified (CE: EN 55011)

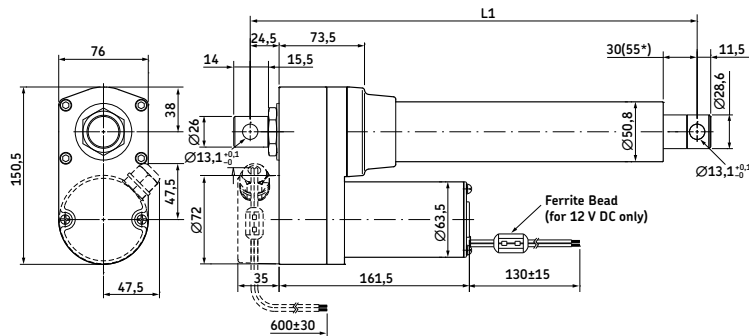


Connecting diagram

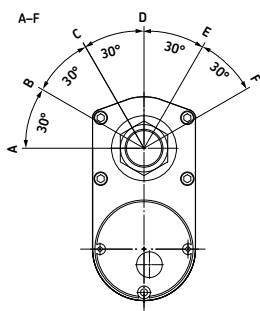


Dimensional drawing

Basic configuration (dashed line for optional limit switch)



Different rear attachment



Without limit switch:
 RED (+) & BLACK (-) = retraction
 RED (-) & BLACK (+) = extension
 With limit switch:
 RED (+) & BLACK (-) = extension
 RED (-) & BLACK (+) = retraction

Legend:
 L1 = retracted length
 *55 = dimension with limit switch

	With limit switch ¹⁾						Without limit switch ²⁾					
Stroke (mm)	102	153	204	305	457	610	102	153	204	305	457	610
L1 Retracted length	338	389	440	592	744	897	262	313	364	465	668	821

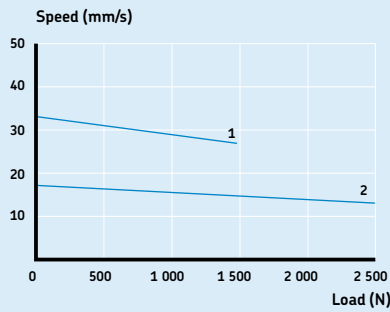
¹⁾ Tolerance: S and L1 = ± 5,0 mm (If S ≥ 305 mm, S = ± 7,5 mm)
²⁾ Tolerance: S = ± 2,5 mm and L1 = ± 3,8 mm

Technical data

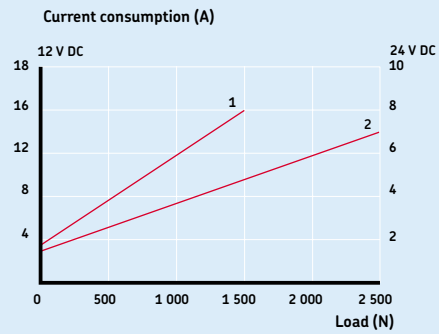
	Unit	CAHB-20... 1	CAHB-20... 2
Push load	N	1 500	2 500
Pull load	N	1 500	2 500
Speed (full load to no load)	mm/s	27 to 33	13 to 17
Stroke	mm	102 to 610	102 to 610
Retracted length	mm	_*	_*
Voltage	V DC	12 or 24	12 or 24
Power consumption	W	N/A	N/A
Current consumption 12 V DC	A	16	14
Current consumption 24 V DC	A	8	7
Duty cycle	%	25	25
Ambient temperature	°C	-40 to +85	-40 to +85
Type of protection	IP	66	66
Weight (at 305 mm stroke)	kg	5,5	5,5
Color	-	Black	Black

* see above table

Performance diagrams



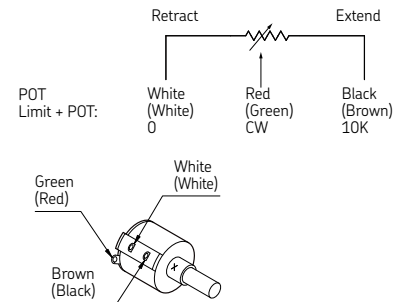
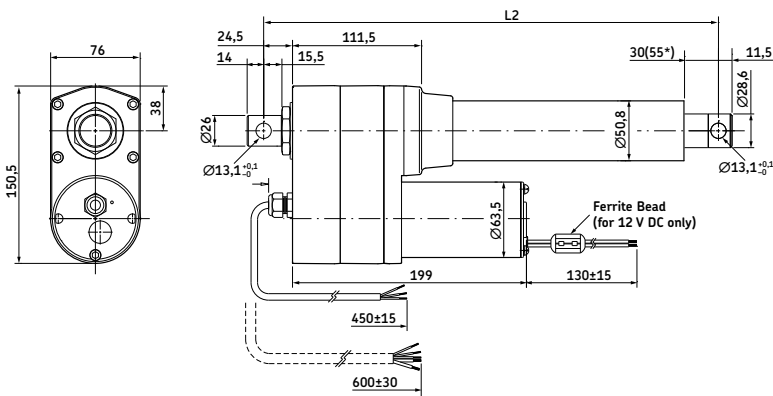
Speed-load diagram



Current-load diagram

Dimensional drawing

Optional potentiometer (dashed line for optional limit switch)



Legend:
 L2 = retracted length
 *55 = dimension with limit switch

Without limit switch:
 RED (+) & BLACK (-) = retraction
 RED (-) & BLACK (+) = extension

With limit switch:
 RED (+) & BLACK (-) = extension
 RED (-) & BLACK (+) = retraction

Stroke (mm)	With limit switch ¹⁾						Without limit switch ²⁾					
	102	153	204	305	457	610	102	153	204	305	457	610
L2 Retracted length	376	427	478	630	782	935	300	351	402	503	706	859

¹⁾ Tolerance: S and L2 = ± 5,0 mm (If S ≥ 305 mm, S = ± 7,5 mm)

²⁾ Tolerance: S = ± 2,5 mm and L2 = ± 3,8 mm

Potentiometer resolution

Stroke (mm)	102	153	204	305	457	610
Ohm/mm	59,0	59,0	29,5	29,5	9,84	9,84

Ordering key

C A H B - 2 0 - [] [] A - [] [] [] [] - A [] [] [] [] [] - 0 0 0

Type

Voltage:

12 V DC
24 V DC

A
B

Load:

1 500 N
2 500 N

1
2

Screw:

Acme screw

A

Stroke:

102 mm
153 mm
204 mm
305 mm
457 mm
610 mm

102
153
204
305
457
610

Retracted length:

Stroke

with L.S.¹⁾

102 mm
153 mm
204 mm
305 mm
457 mm
610 mm

w/o POT²⁾

338 mm
389 mm
440 mm
592 mm
744 mm
897 mm

with POT²⁾

376 mm
427 mm
478 mm
630 mm
782 mm
935 mm

w/o L.S.¹⁾

102 mm
153 mm
204 mm
305 mm
457 mm
610 mm

262 mm
313 mm
364 mm
465 mm
668 mm
821 mm

300 mm
351 mm
402 mm
503 mm
706 mm
859 mm

IP:

Standard (IP 66)

A

Front attachment:

Standard (hole: Ø 13,1 mm)
Customized

A
X

Rear attachment:

Standard (0° and hole: Ø 13,1 mm)
30°
60°
90°
120°
150°
Customized

A
B
C
D
E
F
X

Option 1:

None
Limit switch (only for load version 2 500 N)

0
L

Option 2:

None
Potentiometer

0
P

Option 3:

None
Thermal protection

0
T

¹⁾L.S. = Limit switch
²⁾POT = Potentiometer

