

Linear actuator

CAP 43B

Benefits

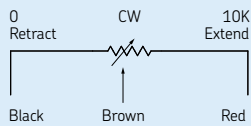
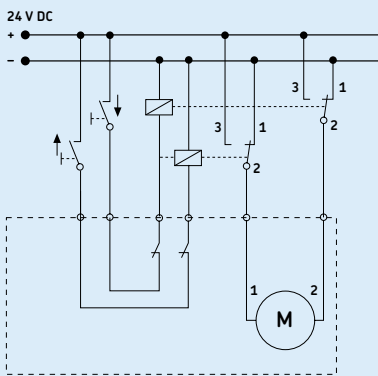
- Robust and reliable
- Long lifetime
- Wide range of components
- Right- and left- version
- Analogical feedback



Suitable control units and accessories

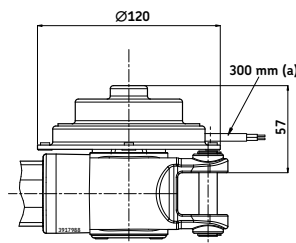
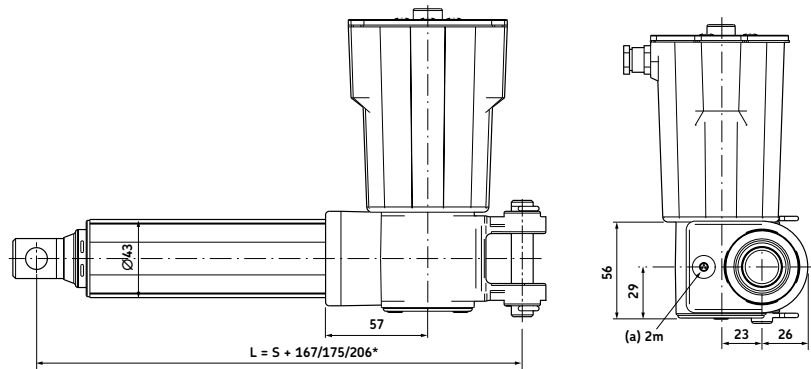
	CAED ANR 5-24-PO	●
	CAED ANR 9-24-PO	●
C24C		●
C24CW		●
D24C		●
D24CW		●

Connecting diagram

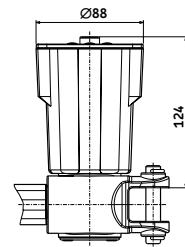


Connection diagram for linear potentiometer.

Dimensional drawing



D24C/D24CW



C24C/C24CW

Legend:
 S = stroke
 L = retracted length
 (a) = cable length
 (c) = extended shaft (D24CS)

See drawings of front and rear attachments on page 286.

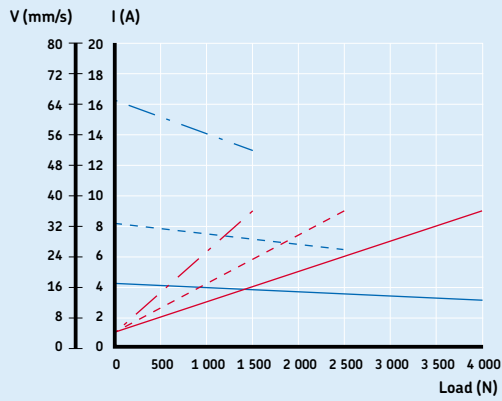
* Dimension depends on selected front attachment

Technical data

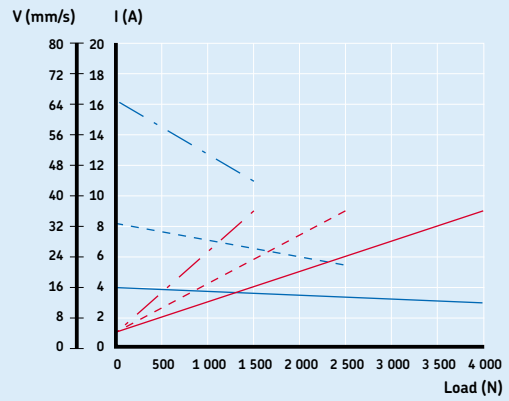
	Unit	CAP 43B
Push load	N	1 500 to 4 000
Pull load	N	1 500 to 4 000
Speed (full load to no load)	mm/s	5 to 65 ¹⁾
Stroke	mm	50 to 700
Retracted length	mm	S+167/175/206 ²⁾
Voltage	V DC	24
Power consumption	W	N/A
Current consumption	24 V DC	A
	24 V DC	A
Duty cycle	%	20
Ambient temperature	°C	-20 to +50
Type of protection	IP	44
Weight	kg	2,0 to 2,7

¹⁾ Depending on selected motor
²⁾ Dimension depends on selected front attachment

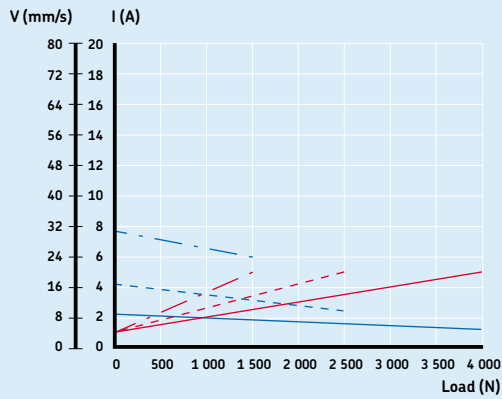
Performance diagrams



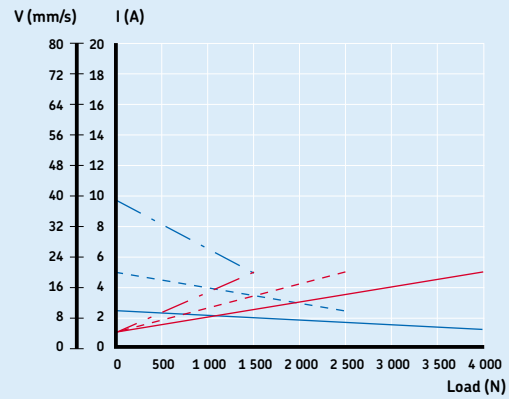
CAP 43B.../C24C



CAP 43B.../D24C



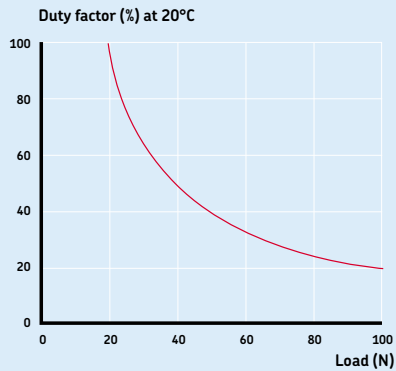
CAP 43B.../C24CW



CAP 43B.../D24CW

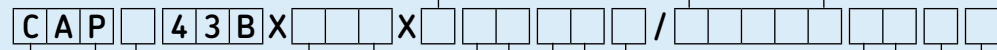
- Gear 1 ——— V (mm/s)
- I (A)
- Gear 2 - - - - - V (mm/s)
- - - - - I (A)
- Gear 4 - - - - - V (mm/s)
- - - - - I (A)

Duty cycle



Ordering key

Dynamic load (N) / Speed (mm/s)			Motor options	
4 000/xx	2 500/xx	1 500/xx	No motor	0000
4 000/17-13	2 500/33-26	1 500/65-52	24 V DC, IP44	C24C
4 000/9-5	2 500/17-10	1 500/31-24	24 V DC, low speed, IP44	C24CW
4 000/16-12	2 500/33-22	1 500/65-44	24 V DC, flat motor, IP44	D24C
4 000/10-5	2 500/20-10	1 500/39-20	24 V DC, flat motor, low speed, IP44	D24CW
1	2	4		



Type

Motor assembly:

Right R
Left L

Stroke (S):

50 mm	050
100 mm	100
200 mm	200
300 mm	300
400 mm	400
500 mm	500
700 mm	700

Rear attachment (see page 286):

Fork ear, Ø=12,0 mm A1
Fork ear, Ø=12,7 mm A2
Single ear, Ø=12,0 mm K1
Single ear, Ø=12,7 mm K2

Front attachment (see page 286):

Hole, Ø=12,0 mm G1
Hole, Ø=12,7 mm G2
Male thread, M12 G3
Female thread, M12 G4
Fork ear, Ø=10,1 mm G5

Option:

Friction clutch F
Back-up nut S

Option for motors C24C(W):

No cable U
Straight, 2,0 m T2

EMC filter

M

Motor without cover

N

© SKF is a registered trademark of the SKF Group

© SKF Group 2011

The contents of this publication are the copyright of the publisher and may not be reproduced (even extracts) unless prior written permission is granted. Every care has been taken to ensure the accuracy of the information contained in this publication but no liability can be accepted for any loss or damage whether direct, indirect or consequential arising out of the use of the information contained herein.

Printed in Sweden on environmentally friendly paper.

PUB MT/P8 10448 EN · February 2011

