

# Linear actuator

Ecomag

## Benefits

- Compact
- Cost effective
- Silent operation
- Control unit can be mounted to the actuator

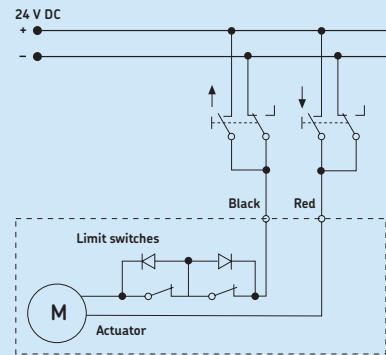


Suitable control units and accessories

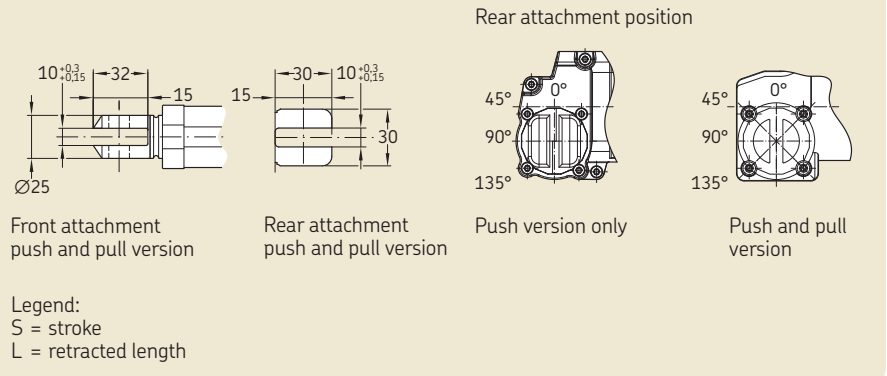
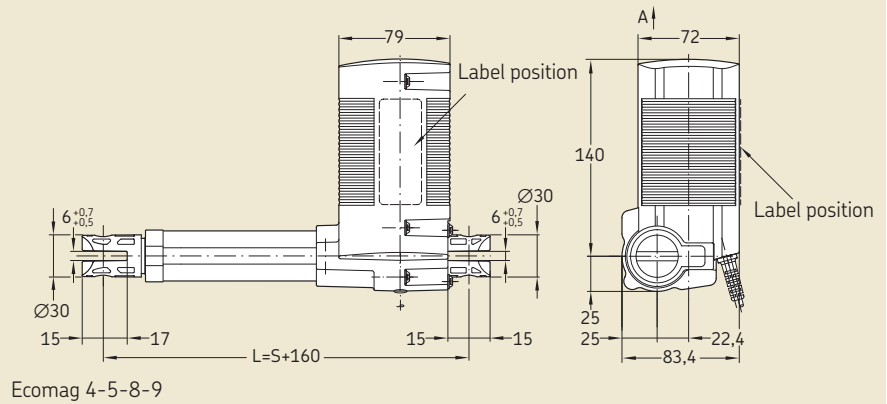
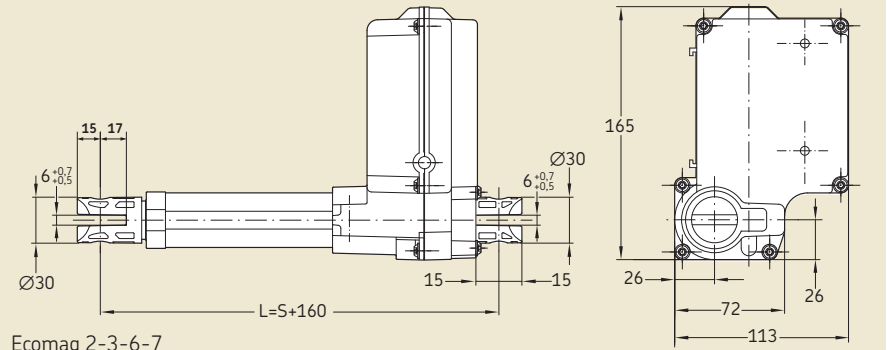
		Control units								
		SCU 1	SCU 5	SGU 9	VCU 5	VCU 8	VCU 9	BCU 5	BCU 8	MCU
ECOMAG		●	●	●	●	●	●	●	●	●
EHA 1		●	●	●	●	●	●	●	●	●
EHA 3		●	●	●	●	●	●	●	●	●
STJ		●	●	●	●	●	●	●	●	●
STA		●	●	●	●	●	●	●	●	●
STE		●	●	●	●	●	●	●	●	●

Hand switch  
 Foot switch  
 Desk switch

Connecting diagram



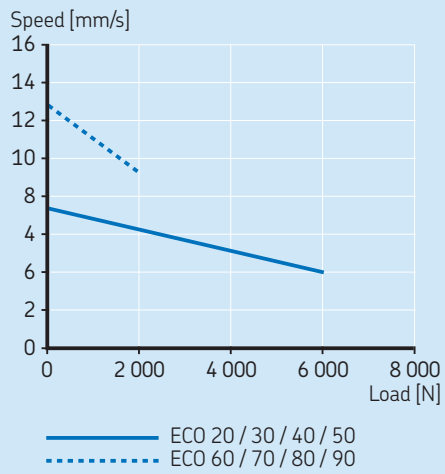
Dimensional drawing



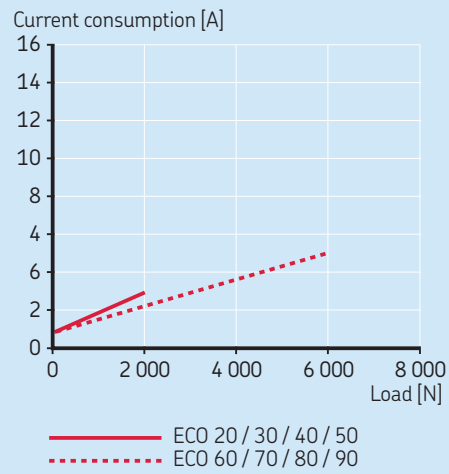
Technical data

Unit	ECO 20/40	ECO 60/80	ECO 30/50	ECO 70/90	
Rated push load	N	2 000	6 000	2 000	6 000
Rated pull load	N	0	0	2 000	4 000
Speed (full load to no load)	mm/s	9 to 13	4 to 7	9 to 13	4 to 7
Stroke	mm	50 to 300	50 to 300	50 to 300	50 to 300
Retracted length	mm	S+160	S+160	S+160	S+160
Voltage	V DC	24	24	24	24
Power consumption	W	70	120	70	120
Current consumption	A	3	5	3	5
Duty cycle	%	10 (1/9)	10 (1/9)	10 (1/9)	10 (1/9)
Ambient temperature	°C	+10 to +40	+10 to +40	+10 to +40	+10 to +40
Type of protection	IP	x4S	x4S	x4S	x4S
Weight	kg	2,1	2,1	2,5	2,5
Color	-	Black or grey	Black or grey	Black or grey	Black or grey

Performance diagrams

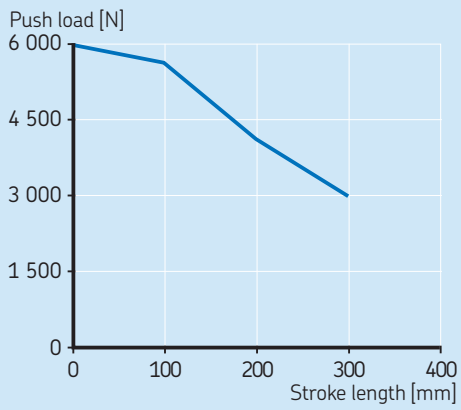


Speed-load diagram



Current-load diagram

Safety factor load conditions



Push load reduction safety factor=4

## Ordering key

ECO [ ] [ ] - [ ] [ ] [ ] [ ] [ ] [ ] [ ] - 000

## Type

## Load /Housing:

Push	Pull	Housing	
2 000 N	0	Large	2
2 000 N	2 000 N	Large	3
2 000 N	0	Small	4
2 000 N	2 000 N	Small	5
6 000 N	0	Large	6
6 000 N	4 000 N	Large	7
6 000 N	0	Small	8
6 000 N	4 000 N	Small	9

## Encoder:

No encoder, coiled cable, 2-pin Minifit plug or customization	0
No encoder, coiled cable, DIN8 plug or customization	9
2-Hall encoder, 8 pulses, straight cable, DIN8 plug (small housing only)	F

## Current cut-off:

No	0
Yes (not available for ECO4.-/ECO5.-/ECO8.-/ECO9.-)	1

## Stroke (S):

50 mm	05
100 mm	10
150 mm	15
200 mm	20
250 mm	25
300 mm	30
Other stroke lengths; 50<S<300 mm	00

## Front attachment (groove depth 17 mm):

Hole, Ø=12 mm, groove width 10 mm	M
Customized	X

## Rear attachment (groove depth 15 mm):

Hole, Ø=12 mm, groove width 10 mm	M
Customized	X

## Orientation of rear attachment:

0°	1
45°	3
90°	5
135°	7

## Color:

Black	A
Grey	B

## Option:

No option	0
Back-up nut (available only for drives with 6 kN, mandatory for IEC 60601-1) – only for ECO 7/9, L = +23 mm	A
<b>FOR ECO3.-/ECO5.-ONLY (no back-up nut)</b>	
Quick-release, push load, fork head bore parallel to lever, L = +40 mm, integrated anti-pinching protection.	B
Quick-release, push load, bore 90° to lever, L = +40 mm, integrated anti-pinching protection.	C
Quick-release, pull load, fork head bore parallel to lever, L = +40 mm, integrated anti-pinching protection.	F
Quick-release, pull load, fork head bore 90° to lever, L = +40 mm, integrated anti-pinching protection.	G
Mechanical anti-pinching protection pull, motor direction push, L = +13 mm.	K
Mechanical anti-pinching protection push, motor direction pull, L = +13 mm.	L

Options shown in italics are only available on request. Contact SKF for more information on minimum quantities and additional costs.