

# Linear actuator

Runner

## Benefits

- High push/pull load
- Compact
- Back-up nut as standard
- High safety factor
- Silent operation

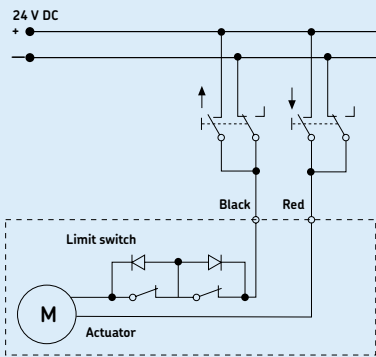


Suitable control units and accessories

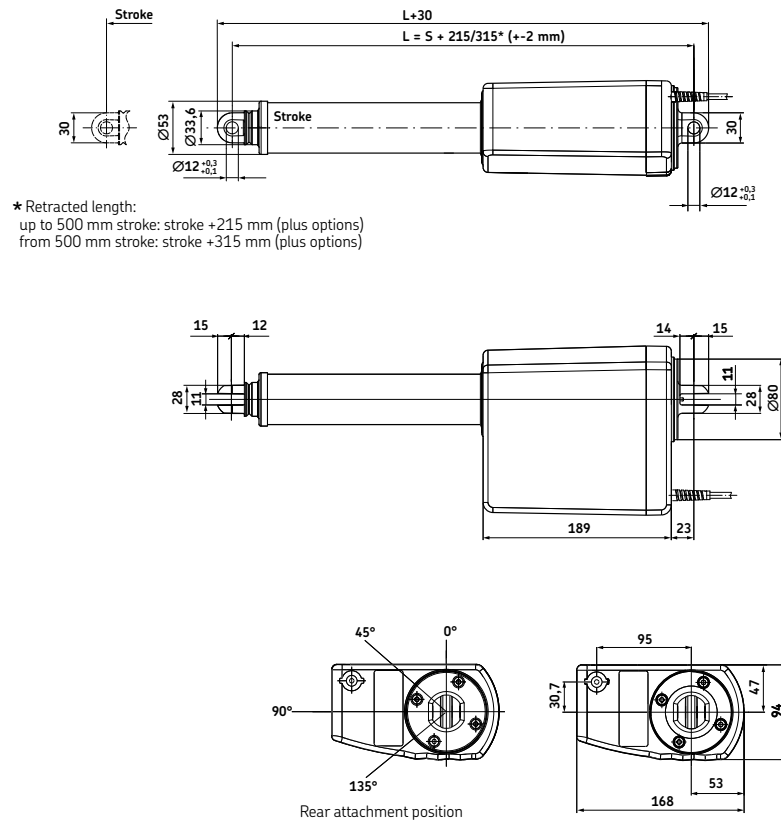
Control units		SCU 1	SCU 5	SCU 9	VCU 5	VCU 8	VCU 9	BCU 5	BCU 8
RU20, RU21, RU22		●	●	●	●	●	●	●	●
RU23, RU24, RU25		●	●	●	●	●	●	●	●
EHA 3		●	●	●	●	●	●	●	●
STJ		●	●	●	●	●	●	●	●
STE		●	●	●	●	●	●	●	●

Hand switch  
 Foot switch  
 Desk switch

Connecting diagram



Dimensional drawing



Legend:  
 S = stroke  
 L = retracted length

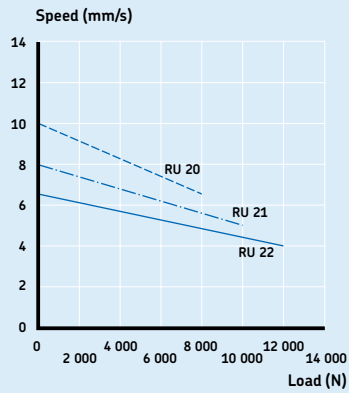
Technical data

	Unit	RU20	RU21	RU 22	RU23	RU24	RU25
Rated push load	N	8 000	10 000	12 000 <sup>1)</sup>	8 000	10 000	12 000 <sup>1)</sup>
Rated pull load	N	8 000	8 000	8 000	8 000	8 000	8 000
Speed (full load to no load)	mm/s	7 to 10	5 to 8	4 to 7	8 to 15	6 to 12	5 to 9
Stroke	mm	100 to 700	100 to 700	100 to 700	100 to 700	100 to 700	100 to 700
Retracted length	mm	S+215/315 <sup>2)</sup>	S+215/315 <sup>2)</sup>	S+215/315 <sup>2)</sup>	S+215/315 <sup>2)</sup>	S+215/315 <sup>2)</sup>	S+215/315 <sup>2)</sup>
Voltage	V DC	24	24	24	24	24	24
Power consumption	W	N/A	N/A	N/A	N/A	N/A	N/A
Current consumption	A	7	7	7	10	10	10
Duty cycle	%	10 (1/9)	10 (1/9)	10 (1/9)	10 (1/9)	10 (1/9)	10 (1/9)
Ambient temperature	°C	+10 to +40	+10 to +40	+10 to +40	+10 to +40	+10 to +40	+10 to +40
Type of protection	IP	×4/×6S	×4/×6S	×4/×6S	×4/×6S	×4/×6S	×4/×6S
Weight	kg	4,7	4,7	4,7	4,7	4,7	4,7
Color	–	Grey	Grey	Grey	Grey	Grey	Grey

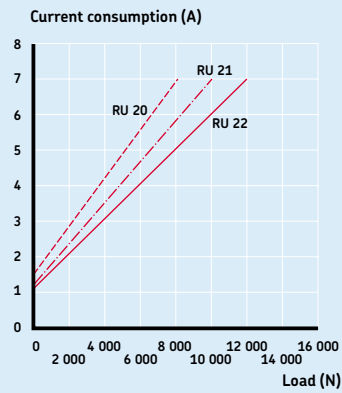
<sup>1)</sup> Safety working load for medical application is 10 000 N (EN 60601)

<sup>2)</sup> S ≤ 500 mm; L = S + 215  
 S > 500 mm; L = S + 315

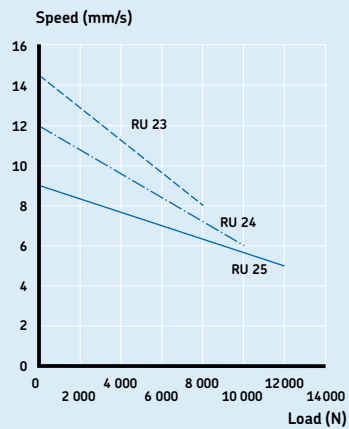
Performance diagrams



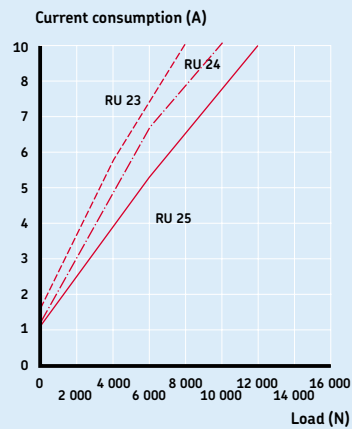
Speed-load diagram



Current-load diagram



Speed-load diagram

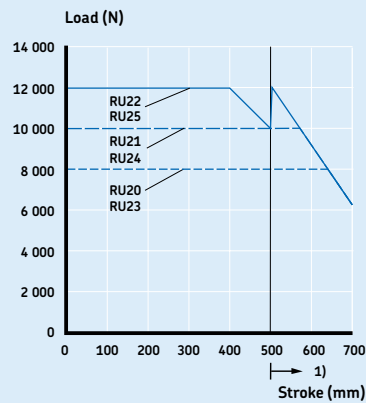


Current-load diagram

Safety factor load conditions



Push load limit, safety factor  $S=4$   
(EN 60601 1) retracted length extension  
at stroke >500 mm



Push load limit, safety factor  $S=2$   
(EN 60601 1) retracted length extension  
at stroke >500 mm

Ordering key



Type

Voltage:  
24 V DC

Load / Speed:

8 000 N / 7-10 mm/s	0
8 000 N / 8-15 mm/s	3
10 000 N / 5-8 mm/s	1
10 000 N / 6-12 mm/s	4
12 000 N / 4-7 mm/s	2
12 000 N / 5-9 mm/s	5

Stroke (S) / Retracted length (L):

50 mm / 315 mm	050315
100 mm / 315 mm	100315
150 mm / 365 mm	150365
200 mm / 415 mm	200415
250 mm / 465 mm	250465
300 mm / 515 mm	300515
350 mm / 565 mm	350565
400 mm / 615 mm	400615
450 mm / 665 mm	450665
500 mm / 715 mm	500715
550 mm / 865 mm	550865
600 mm / 915 mm	600915
650 mm / 965 mm	650965
700 mm / 1 015 mm	700 XXX
50<S≤500 mm / S+215	-----
500<S<700 mm / S+315	-----
S>700 mm (customized)	XXXXXX

Type of protection / Color:

IP×4S, grey	A
IP×6S, grey	B

Cable:

Straight cable, 1,5 m, DIN8 plug	15
Straight cable, 1,5 m, Jack plug 180°	0D

Rear attachment orientation / Hole diameter:

0° / Ø=12,0 mm	0
45° / Ø=12,0 mm	2
90° / Ø=12,0 mm	4
135° / Ø=12,0 mm	6

Option 1:

No option	0
Electrical anti-pinching (safety switch), pull load, L+20 mm	K
Electrical anti-pinching (safety switch), push load, L+20 mm	L

Option 2:

No option	0
2-Hall encoder, 14 pulses, DIN8 plug	A
Lifetime monitoring	M
2-Hall encoder, 14 pulses, DIN8 plug, lifetime monitoring	N

Option 3:

No option	-
Emergency lowering, L+53 mm (for push load only)	V

Options shown in italics are only available on demand. Contact SKF for more information on minimum quantities and additional costs.

