

Telescopic pillar

Telesmart TXG

Benefits

- Powerful and fast lifting
- Aesthetic design

Standards

- EN/IEC 60601-1
- UL 60601-1



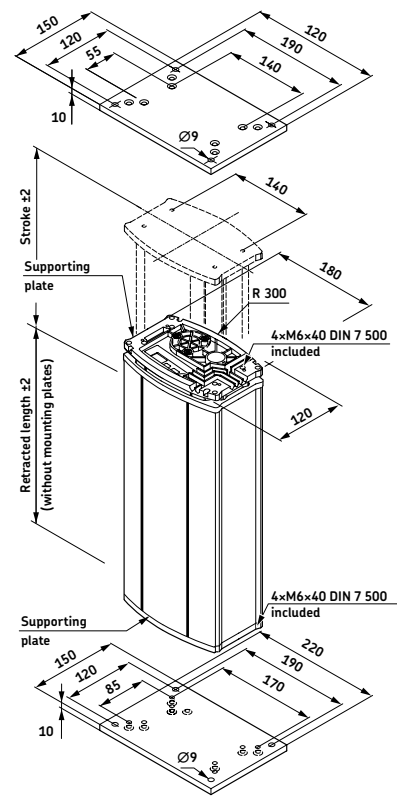
Suitable control units and accessories

		Control units									
		VCU 5	VCU 8	VCU 9	BCU 5	BCU 8	LD 014	LD 015	EHE1	STF*	STA*
TXG 1		●	●	●	●	●	●	●	●	●	●
TXG 4	Integrated control unit										
TXG 5	Integrated control unit										
TXG 8	Integrated control unit										
TXG 9	Integrated control unit										
EHA3		●	●	●	●	●	●				
STJ		●	●	●	●	●	●				
STE		●	●	●	●	●	●				
LD-034.000.004								●	●	●	
LD-011.031.000								●	●	●	

Hand switch
 Foot switch
 Desk switch

* only with FCC plug

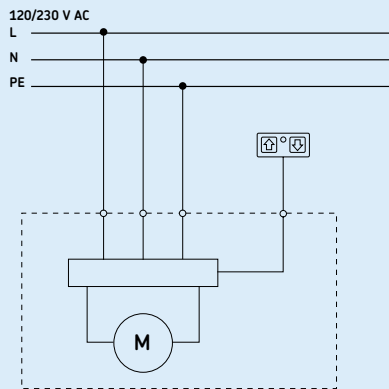
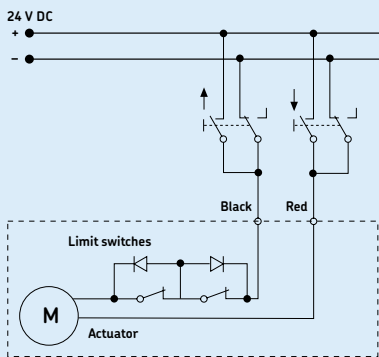
Dimensional drawing



Note: mounting plates are not included. To be ordered separately.

Legend:
S = stroke
L = retracted length

Connecting diagrams

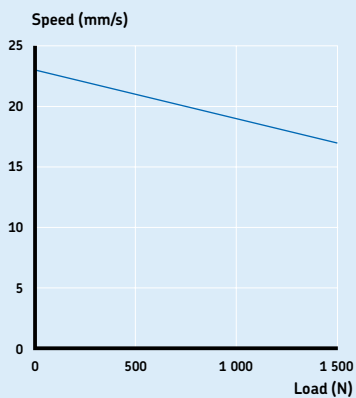


Technical data

	Unit	TXG1	TXG4/5	TXG8/9
Rated push load	N	1 500	1 500	1 500
Rated pull load	N	0	0	0
Bending load	Nm	up to 210 ¹⁾	up to 210 ¹⁾	up to 210 ¹⁾
Speed (full load to no load)	mm/s	17 to 23	17 to 23	17 to 23
Telescopic pillar version	# of section	2-section	2-section	2-section
Stroke	mm	200 to 600	200 to 600	200 to 600
Retracted length	mm	S+180	S+180	S+180
Voltage	V AC	24	120	230
Power	W	–	N/A	N/A
Current	A	5	1,8	0,9
Duty cycle: intermittent operation	min.	1 min./9 min.	1 min./9 min.	1 min./9 min.
Duty cycle: short-time operation	min.	–	N/A	N/A
Ambient temperature	°C	+10 to +40	+10 to +40	+10 to +40
Type of protection	IP	30	30	30
Protection class	–	SELV	II/(I) ²⁾	II/(I) ²⁾
Type of control	–	electrical	electrical	electrical
Weight	kg	8 to 13	9 to 14	9 to 14

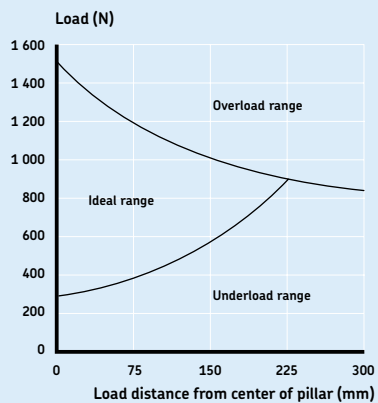
¹⁾ For details, see bending load diagrams
²⁾ Mandatory for cable feedthrough option

Performance diagram

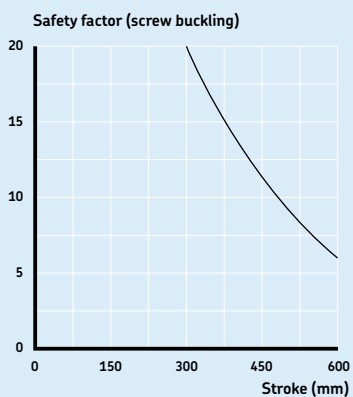


Speed-load diagram

Bending load diagram



Safety factor load conditions



Ordering key

TXG		0	00				00
Type							
Voltage:							
24 V DC (slave actuator)							1
120 V AC, 50/60 Hz, class II							4
120 V AC, 50/60 Hz, class I (mandatory for cable feedthrough option)							5
230 V AC, 50 Hz, class II							8
230 V AC, 50 Hz, class I (mandatory for cable feedthrough option)							9
Color:							
Natural anodized coating						5	
<i>Customer-specific</i>						K	
<i>Powder-coated white</i>						2	
<i>Powder-coated grey</i>						3	
Option:							
None							000
Control connection feedthrough							EYX
Mains cable feedthrough							EYF
Control connection feedthrough, mains cable feedthrough							2AA
<i>Customer-specific</i>							KKK
Stroke (S) / Retr. length (L=S+180 or L= S+160 mm)							
200 mm					L=S+180		L=S+160
300 mm					200		4CY
400 mm					300		4DY
500 mm					400		4EY
600 mm					500		4FY
					600		4GY

Options shown in italics are only available on demand. Contact SKF for more information on minimum quantities and additional costs.

Accessories

Mains cable	Plug	Country	Order number	Comment
Straight cable 3,5	Euro	General	M/0121730	2-pole
Straight cable 3,5	Schuko	General	M/0121760	3-pole
Straight cable 3,5	UL	USA	M/0121757	2-pole/3-pole
Straight cable 3,5	British standard	UK	M/0121761	2-pole/3-pole
Top or bottom mounting plate			M/0124874	

Note: mounting screws are included in the TXG.

© SKF is a registered trademark of the SKF Group

© SKF Group 2010

The contents of this publication are the copyright of the publisher and may not be reproduced (even extracts) unless prior written permission is granted. Every care has been taken to ensure the accuracy of the information contained in this publication but no liability can be accepted for any loss or damage whether direct, indirect or consequential arising out of the use of the information contained herein.

Printed in Sweden on environmentally friendly paper.

PUB L5322,1680 EN · August 2010

