

# Telescopic pillar

Telemag TLT

## Benefits

- Very small built-in dimension
- Powerful

## Standards

- EN/IEC 60601-1
- UL 60601-1

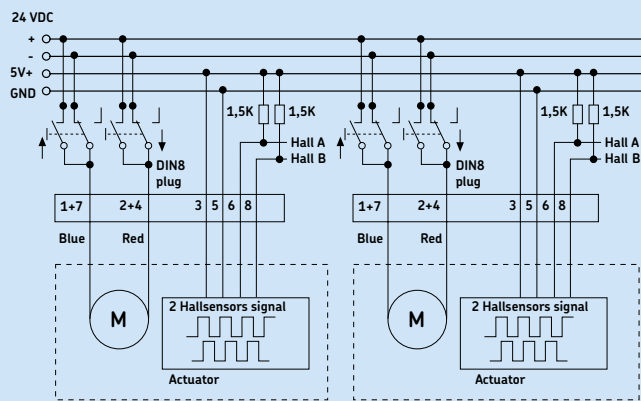


Suitable control units and accessories

		Control unit							
		SCU 1	SCU 5	SCU 9	VCU 5	VCU 8	VCU 9	BCU 5	BCU 8
TLT		●	●	●	●	●	●	●	●
EHA3		●	●	●	●	●	●	●	●
STJ		●	●	●	●	●	●	●	●
STE		●	●	●	●	●	●	●	●

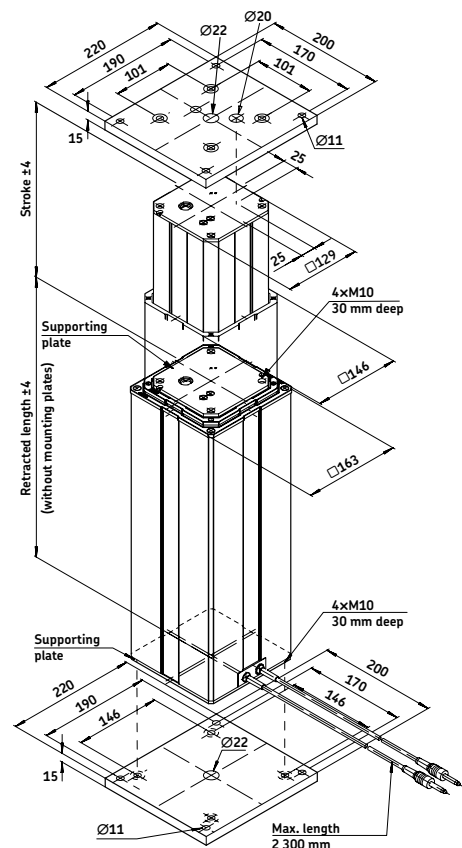
Hand switch  
 Foot switch  
 Desk switch

Connecting diagram



\* Only valid with TLT11. TLT10 must be operated by a BCU, SCU or VCU control unit.

Dimensional drawing



Legend:  
 S = stroke  
 L = retracted length

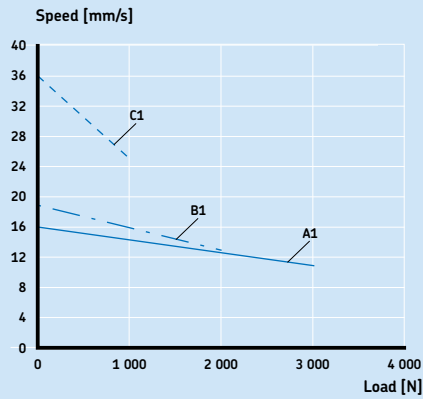
Note: mounting plates are not included. To be ordered separately.

Technical data

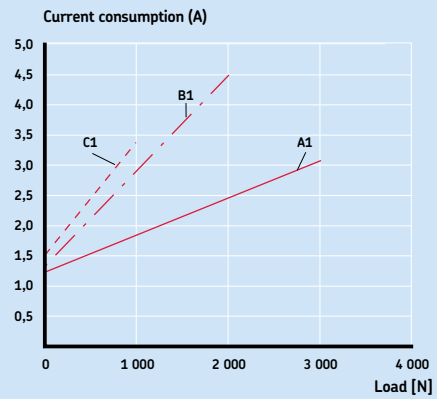
	Unit	TLT10-A1	TLT10-A2	TLT10-B1	TLT10-C1	TLT10-C2
Rated push load	N	3 000	4 000	2 000	1 000	2 000
Rated pull load	N	0	0	0	0	0
Bending load	Nm	up to 400*	up to 1 000*	up to 250*	up to 110*	up to 480*
Speed (full load to no load)	mm/s	11 to 16	13 to 19	13 to 19	25 to 36	25 to 42
Telescopic pillar version	# of section	3-section	3-section	3-section	3-section	3-section
Stroke	mm	300 to 700	300 to 700	300 to 700	300 to 700	300 to 700
Retracted length	mm	0,5 × S+170	0,5 × S+240	0,5 × S+170	0,5 × S+170	0,5 × S+240
Voltage	V DC	24	24	24	24	24
Power	W	168	168	192	192	216
Current	A	2×3,5	2×3,5	2×4,5	2×4,0	2×4,5
Duty cycle: intermittent operation	min.	1 min./9 min	1 min./9 min	1 min./9 min	1 min./9 min	1 min./9 min
Ambient temperature	°C	+10 to +40	+10 to +40	+10 to +40	+10 to +40	+10 to +40
Type of protection	IP	40	40	40	40	40
Protection class	–	SELV	SELV	SELV	SELV	SELV
Type of control	–	electrical	electrical	electrical	electrical	electrical
Weight	kg	15 to 30	15 to 30	15 to 30	15 to 30	15 to 30

\* For details, please see bending load diagrams

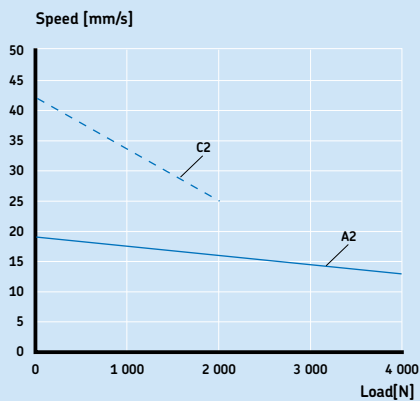
Performance diagrams



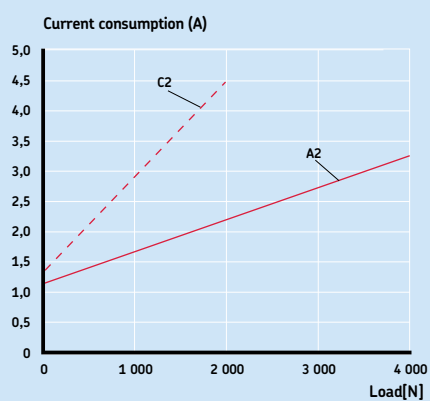
Speed-load diagram



Current-load diagram

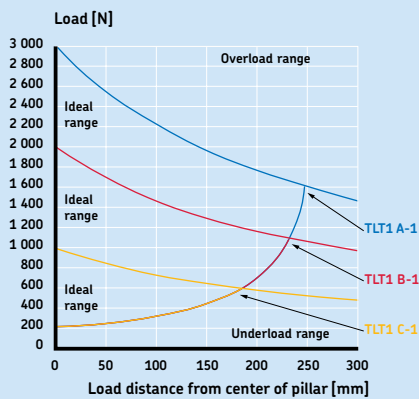


Speed-load diagram

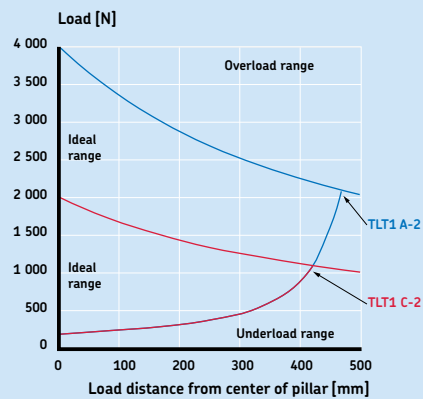


Current-load diagram

Bending load diagrams



Bending load diagram A1, B1, C1



Bending load diagram A2, C2

## Ordering key

TLT 1 - - - - - 0 0 0

## Type

## Voltage:

24 V DC  
24 V DC with integrated current cut-off (only for A2 and C2)

0  
1

## Load / Speed:

4 000 N  
3 000 N  
2 000 N / 19 to 13 mm/s  
2 000 N / 42 to 25 mm/s  
1 000 N

A2  
A1  
B1  
C2  
C1

## Stroke [S]:

300 mm  
400 mm  
500 mm  
600 mm\*  
700 mm\*

3  
4  
5  
6  
7

## Cable / connecting plug:

*Straight, 1,0 m / jack plug*  
*Straight, 2,3 m / jack plug*  
*Coiled, 0,6 m / jack plug*  
*Straight, 1,0 m / DIN8 plug*  
*Straight, 2,3 m / DIN8 plug*  
*Coiled, 0,6 m / DIN8 plug*

1  
2  
A  
3  
4  
B

## Option:

No option  
1-Hall encoder, 8 pulses, cable with jack plug  
*Cable feedthrough, 3x1,5 mm<sup>2</sup>, top +160 mm, bottom +800 mm*  
*Cable feedthrough, 1-Hall encoder*  
*2-Hall encoder, cable with DIN8 plug*

0  
A  
C  
D  
F

*Options shown in italics are only available on demand. Contact SKF for more information on minimum quantities and additional costs.*

\* Reduced safety factor

## Accessories

	Designation	Order N°
Top mounting plate	SPL-290268	M/0125624
Bottom mounting plate	SPL-290265	M/0125623
Screw (4/plate) for mounting plate	ZBE-510707	M/0125360

© SKF is a registered trademark of the SKF Group

© SKF Group 2011

The contents of this publication are the copyright of the publisher and may not be reproduced (even extracts) unless prior written permission is granted. Every care has been taken to ensure the accuracy of the information contained in this publication but no liability can be accepted for any loss or damage whether direct, indirect or consequential arising out of the use of the information contained herein.

Printed in Sweden on environmentally friendly paper.

PUB L5322,1670 EN • February 2011

