

Electric Grease Feeding Pump EFFFP

For oil, fluid grease, and grease
For filling centralized lubrication pumps or simple lubrication tasks



Features

- Purely electric drive
- Grease drum sizes from 16 to 25 kg
- Integrated automatic shut-off function for use with grease guns
- For pressures up to 250 bar

Advantages

- Powerful even where only electrical power is available
- Time- and effort-saving alternative to manual lubrication/filling
- Easy-to-use, also in mobile applications

Applications

- Filling centralized lubrication pumps, e.g. in the fields of
 - Wind energy
 - Vehicles
- Use as a lubricating aid, e.g. in work- and production shops



EFFP Electric Grease Feeding Pump

Technical Data and Pump Designs



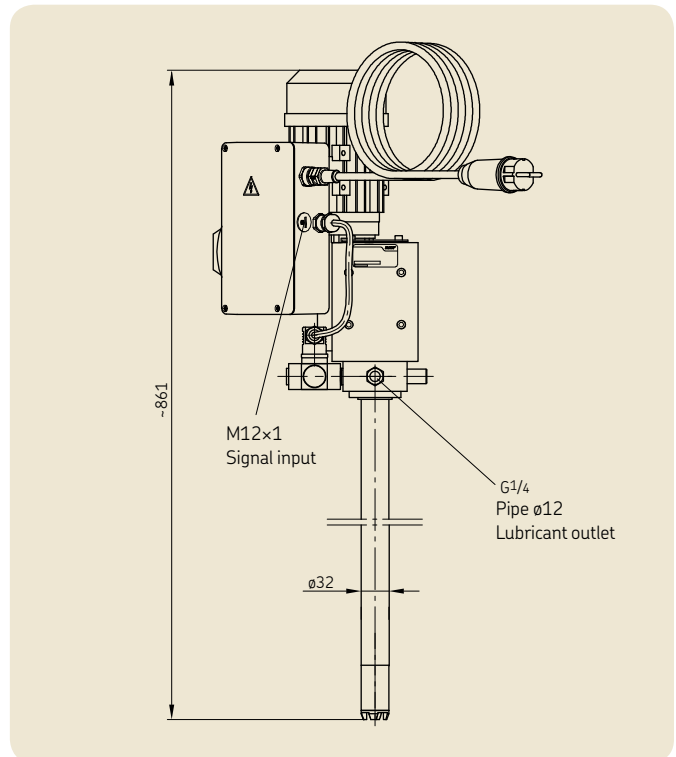
The EFFP electric grease feeding pump is a piston pump for grease drum sizes from 16 to 25 kg. The delivery stroke is generated at the lower end of the intake tube by a delivery piston that is controlled by an electrically driven eccentric shaft. The pump is activated using an ON/OFF switch attached to the terminal box.

An automatic switch-off function is integrated standard and switches the pump motor off once a non-adjustable pressure is reached and switches it on automatically once the pressure has dropped. This technology thus makes it possible to, for example, use a high-pressure gun to lubricate individual lubrication points.

The optional pump design with a signal input allows for automatic activation and deactivation of the filling pump if, for example, the customer handles monitoring of the pump's minimum and maximum fill level.

Technical data

Type	Piston pump
Temperature range	-10 to +60 °C
Mounting position	Vertical
Pump drive	Worm gear drive motor with running capacitor
System voltage	230V AC/50 to 60 Hz
Motor power	370 W
Protection class	IP54
Insulation class	F
Intake current	2,73 A
Automatic shut-off, fixed	250 bar
Pressure regulating valve, fixed	300 bar
Restart after pressure relief	< 150 bar
Discharge pressure at the pump outlet	250 bar
Electrical connection	Grounded plug, 3 m cable Motor protection via circuit breaker
Lubricant	Flow pressure max. 700 mbar, greases based on mineral oil as well as environmentally friendly and synthetic oils and greases



Electric Grease Feeding Pump

Displacement (50 Hz) (depends on lubricant) ¹⁾	400 cm ³ /min	200 cm ³ /min
	Order No.	Order No.
Basic design	24-1560-3577	24-1560-3580
Design with signal input	24-1560-3578	24-1560-3581

¹⁾ e.g., using SKF LGWM 2/18 at 20 °C

CAUTION

The important information on product usage located on the back cover applies to all systems described in this brochure.

EFFP Electric Grease Feeding Pump

Carrying frame designs and accessories

Carrying frame with machine mount



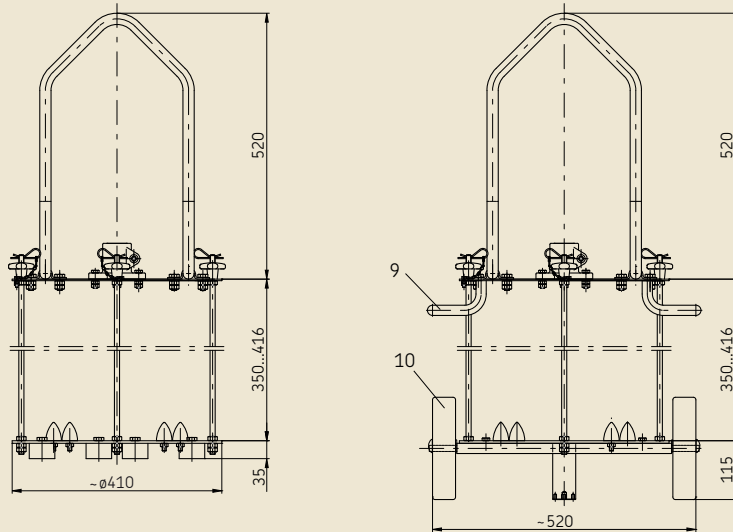
Carrying frame with carrying handle and wheels



Carrying frame for grease drums from 16 to 25 kg

Designation	Order No.
Design with machine mount	24-1722-2545
Design with machine mount and carrying handle	24-1722-2550
Design with carrying handle and wheels	24-1722-2551
Design with wheels	24-1722-2552

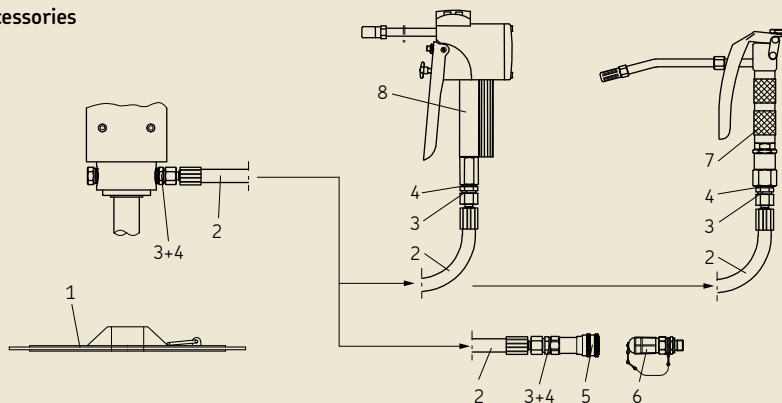
Carrying frame



Accessories

Item Designation	Order No.
1 Grease follower plate for grease drums ø 265–285	24-1952-2034
ø 285–305	24-1952-2035
ø 305–350	24-1952-2036
2 High-pressure hose max. 275 bar nominal diameter 12 mm, connection M18×1.5 Length 5 m	24-1868-4334
Length 10 m	24-1868-4335
Length 15 m	24-1868-4336
3 Screw union G1/4	412-423W
4 Sealing ring for screwed stud end M14	DIN7603-A14×18-CU
5 Coupling socket G1/4	995-001-500
6 Coupler plug G1/4	995-000-705
7 Grease gun	169-000-031
8 Grease gun with volumetric meter	24-0455-2902
9 Handle kit for installation by customer	24-0204-0001
10 Wheelset for installation by customer	24-1709-2018

Accessories





Important information on product usage

SKF and Lincoln lubrication systems or their components are not approved for use with gases, liquefied gases, pressurized gases in solution and fluids with a vapor pressure exceeding normal atmospheric pressure (1 013 mbar) by more than 0,5 bar at their maximum permissible temperature.

SKF Lubrication Systems Germany GmbH

Hockenheim Plant
2. Industriestrasse 4
68766 Hockenheim
Germany

Tel. +49 (0)6205 27-0
Fax +49 (0)6205 27-101

This brochure was presented to you by:

© SKF is a registered trademark of the SKF Group.

© SKF Group 2019

The contents of this publication are the copyright of the publisher and may not be reproduced (even extracts) unless prior written permission is granted. Every care has been taken to ensure the accuracy of the information contained in this publication. However, no liability can be accepted for any loss or damage whether direct, indirect, or consequential, arising out of use of the information contained herein.

PUB LS/P2 13149 EN · September 2019 · 1-0309-EN

