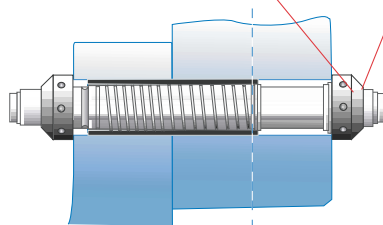
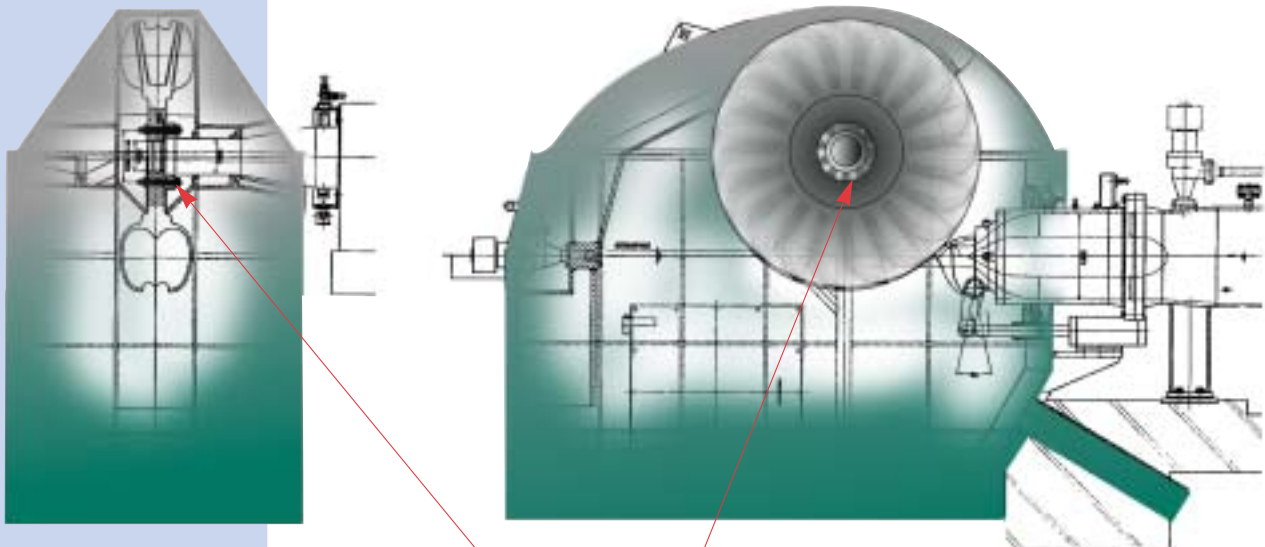


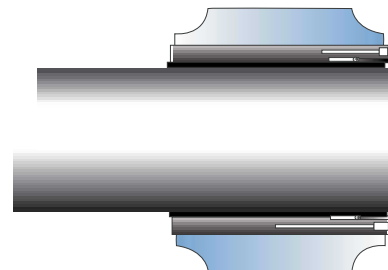
# Shaft connections for Pelton turbines



Operations that took hours or even days before have been reduced to a few quick and simple steps using the SKF oil-injection method.



Fastening by SKF Supergrip bolts



Alternative fastening by SKF Double sleeve

## SKF Coupling Systems AB