

Pneumatically driven piston pump unit PPS30

For small and medium-sized machines and equipment using fluid grease and oil



Optionally with oil filler screen

Setting new standards in terms of design, the compact PPS30 pump unit features proven, robust lubrication technology with integrated functional elements.

- Extremely compact, sealed design with a modern appearance
- Concentrated functionality with integrated relief valve and electronic sensors

Developed with the operator in mind, the unit's overall shape and ergonomically integrated controls provide ease of use.

- Fast and simple installation
- Flexible connection system for any mounting position
- Easy visual fill level monitoring, plus electric fill level control
- Simple cleaning
- New concept for filling the reservoir: a central opening enables easy filling from all sides, and the forward-opening flap also serves as drip protection.
- Optionally with oil filler screen.

The unit combines innovative design with modern, integrated technology and enables safe and secure supply of lubricant to your machine. In addition to low investment costs, it offers very low operating costs over the entire life cycle due to its minimal compressed air consumption. The unit is compact, lightweight and made almost entirely of functional, high-performance plastics.



Example of a typical system layout

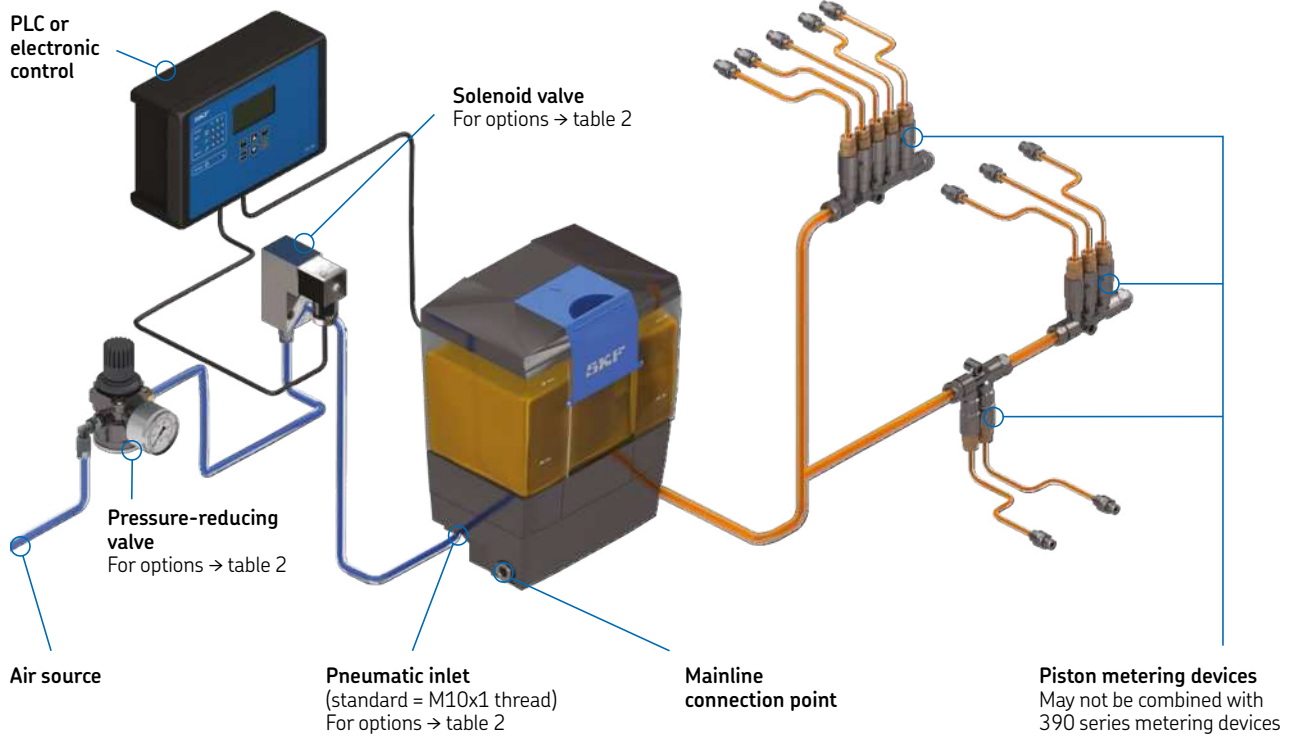


Table 1

Technical data

Pump	
Dimensions (WxHxD)	187 x 246 x 129 mm (7.36 x 9.68 x 5.08 in.)
Minimum installation space (WxHxD)	230 x 300 x 250 mm (9.05 x 11.81 x 9.84 in.)
Weight (empty)	1,95 kg (4 lb 5 oz)
Mounting position	vertical
Drive	pneumatic
Reservoir capacity	1,5 l (3.2 US pt liq)
Reservoir material	Plastic (SAN)
Actuation pressure	4,5–6 bar (65.3–87 psi)
Operating pressure	up to 27 bar (391 psi) ¹⁾
Lubrication cycle number	max. 6 cycles/h
Delivery volume	30 cm ³ /stroke (1.83 in ³ /stroke)
Operating temperature	+10 to +50 °C (+50 to +122 °F)
Protection class per DIN EN 60529	IP54
Lubricant	Mineral and synthetic oil Operating viscosity 20–1 500 mm ² /s Fluid grease, NLGI-Grade 000, 00 max. 3
Number of outlets	max. 3

Fill level switch to monitor minimum lubricant level²⁾

Lubricant	Oil or fluid grease
Function	Capacitive, NC-contact
Switched voltage range	10–36 V DC
Power consumption	max. 150 mA

Pressure switch to monitor pressure build-up and overall function

Function	NO-contact
Rated pressure	16 bar (232 psi)
Electrical connection	4-pin M12x1 circular plug In compliance with DIN EN 60947-5-2

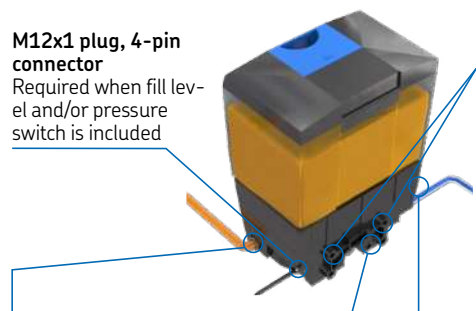
¹⁾ Dependent upon inlet air pressure

²⁾ Can be used as pre-warning signal

Reverse side of pump

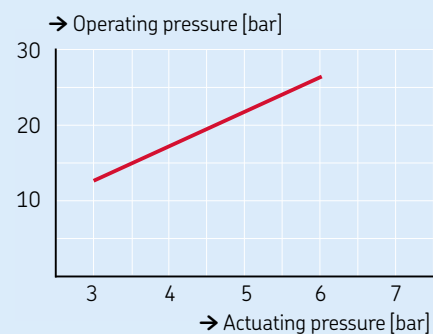
M12x1 plug, 4-pin connector
Required when fill level and/or pressure switch is included

Mounting holes for adapter plate



Three mainline connection points
(standard = plugged) for options → table 2
Note: third port not visible in this view

Pressure diagram for pneumatic drive



How to order

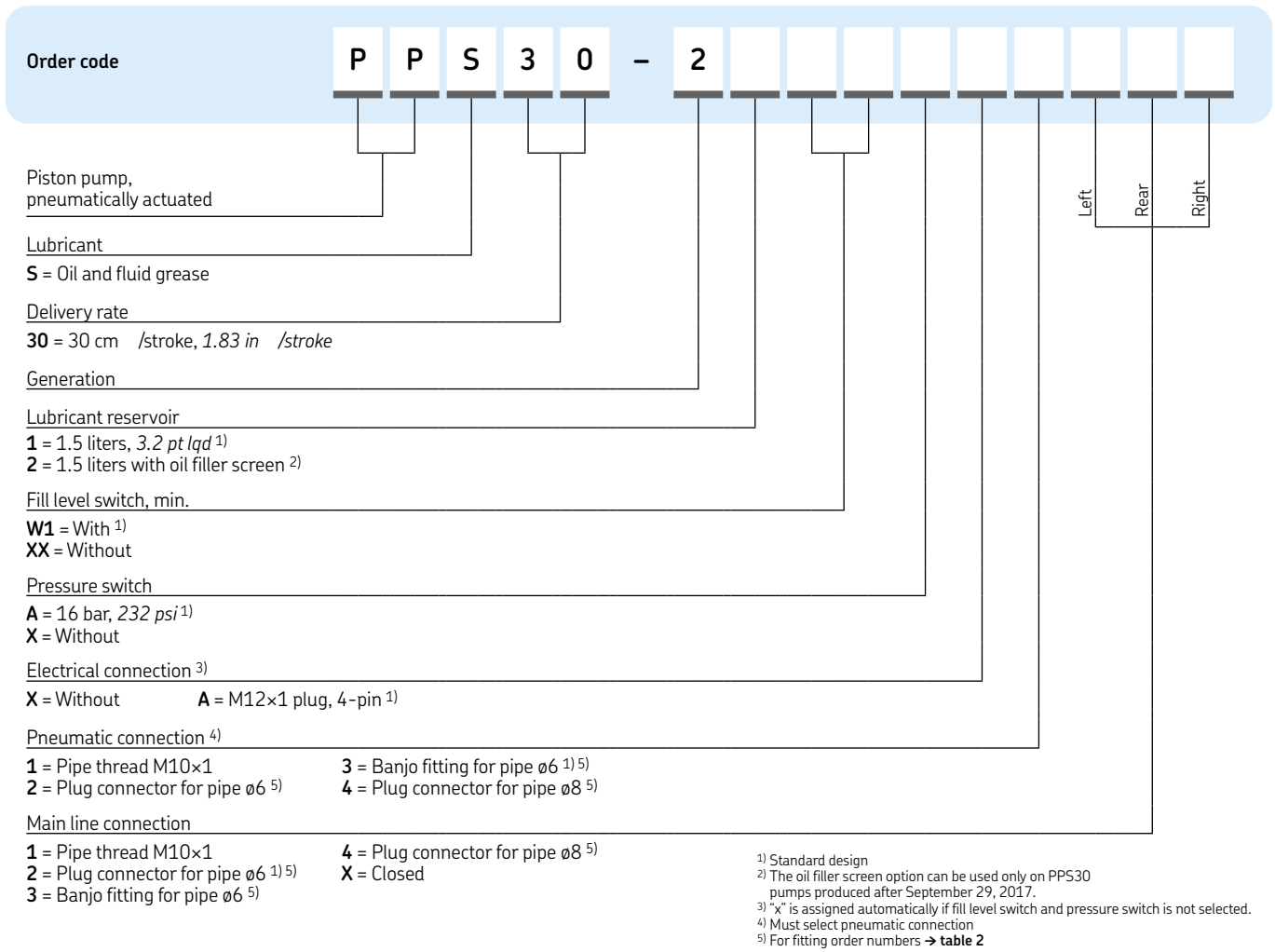


Table 2

Accessories

Solenoid valves

3/2-way air inlet valve	24 VDC	161-120-067+924
	110 VAC	161-120-067+910
3/2 directional control valve (kit with adaptor)	24 VDC	995-901-063



Pressure-reducing valve

995-901-062



Oil filler screen²⁾

169-400-405

Optional fittings for pneumatic and mainline connections

Plug connector for pipe ø6	Order code 2	406-004-VS
Banjo fitting for pipe ø6	Order code 3	506-140-VS
Plug connector for pipe ø8	Order code 4	408-004-VS
Closed	Order code X	466-431-001



Adapter plate for mounting

214 x 48 x 10 mm
(8,43 x 1,89 x 0,39 in.)

995-901-061



(→ see publication 1-1703-EN or skf.com for additional accessory options)

The Power of Knowledge Engineering

Combining products, people, and application-specific knowledge, SKF delivers innovative solutions to equipment manufacturers and production facilities in every major industry worldwide. Having expertise in multiple competence areas supports SKF Life Cycle Management, a proven approach to improving equipment reliability, optimizing operational and energy efficiency and reducing total cost of ownership.

These competence areas include bearings and units, seals, lubrication systems, mechatronics, and a wide range of services, from 3-D computer modelling to cloud-based condition monitoring and asset management services.

SKF's global footprint provides SKF customers with uniform quality standards and worldwide product availability. Our local presence provides direct access to the experience, knowledge and ingenuity of SKF people.

Important information on product usage

SKF and Lincoln lubrication systems or their components are not approved for use with gases, liquefied gases, pressurized gases in solution and fluids with a vapor pressure exceeding normal atmospheric pressure (1 013 mbar) by more than 0,5 bar at their maximum permissible temperature.

© SKF is a registered trademark of the SKF Group.

© SKF Group 2021

The contents of this publication are the copyright of the publisher and may not be reproduced (even extracts) unless prior written permission is granted. Every care has been taken to ensure the accuracy of the information contained in this publication. However, no liability can be accepted for any loss or damage, whether direct, indirect or consequential, arising out of use of the information contained herein.

PUB LS/P2 14075 EN · November 2021 · 1-0942-EN

