

SKF Three-barrier solution ordering information sheet

The kit includes a housing, sealed spherical roller bearing, adapter sleeve, spacer ring (if required), stabilizing ring, two PosiTrac Plus seals and mounting instructions.

To order the three-barrier solution please use the following kit designations:

Table 1

Ordering guide

| Shaft diameter inch | Complete kits |
|---------------------------------|------------------|
| 2 ⁷ / ₁₆ | SAF B22515 HTLC |
| 2 ⁷ / ₁₆ | FSAF B22515 HTLC |
| 2 ¹¹ / ₁₆ | SAF B22516 HTLC |
| 2 ¹⁵ / ₁₆ | SAF B22517 HTLC |
| 2 ¹⁵ / ₁₆ | FSAF B22517 HTLC |
| 3 ³ / ₁₆ | SAF B22518 HTLC |
| 3 ³ / ₁₆ | FSAF B22518 HTLC |
| 3 ⁷ / ₁₆ | SAF B22520 HTLC |
| 3 ⁷ / ₁₆ | FSAF B22520 HTLC |
| 3 ¹⁵ / ₁₆ | SAF B22522 HTLC |
| 4 ³ / ₁₆ | SAF B22524 HTLC |
| 4 ⁷ / ₁₆ | SAF B22526 HTLC |
| 4 ¹⁵ / ₁₆ | SAF B22528 HTLC |
| 5 ³ / ₁₆ | SAF B22530 HTLC |
| 5 ⁷ / ₁₆ | SAF B22532 HTLC |
| 5 ¹⁵ / ₁₆ | SAF B22534 HTLC |
| 6 ⁷ / ₁₆ | SAF B22536 HTLC |
| 6 ¹⁵ / ₁₆ | SAF B22538 HTLC |
| 7 ³ / ₁₆ | SAF B22540 HTLC |
| 7 ¹⁵ / ₁₆ | SAF B22544 HTLC |

FSAF = Four bolts holes in the base
SAF = Two bolts holes in the base

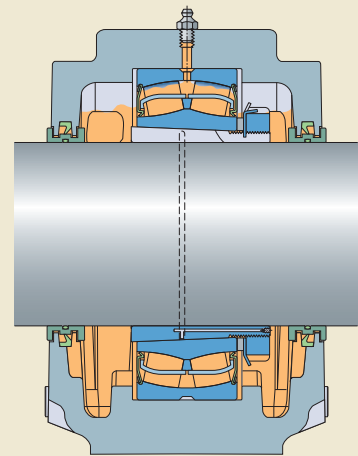
Benefits

- Prevents the ingress of contaminants during assembly and in service
- Eliminates Taconite seals
- Reduces costs
- Requires less space
- Reduces maintenance costs
- Increases Mean Time Between Failure (MTBF) - minimum 3x service life increase
- Extended re-lubrication intervals (approx 90% less grease) = less environmental waste
- Quick and easy to mount
- Can use oil injection sleeve (→ fig. 1) from size 4⁷/₁₆ inch and above (→ table 2) to reduce time for both mounting and dismounting
- No feeler gauge measurements
- 100% inch design allows customer to use existing inch hydraulic nut
- Available for locating and non-locating units.

Fig. 1

Three-barrier solution

Loose (non-locating) version with oil injection adaptor sleeve



Features

SKF three-barrier solution guards against contamination

- PosiTrac Plus housings seal (See 1 → fig. 2)
- Housing cavity filled with grease (LGEP 2 or LGGB 2) (See 2 → fig. 2)
- Sealed spherical roller bearing (See 3 → fig. 2)
- Adapter sleeves for shaft diameters $4\frac{7}{16}$ inch (26 size) and larger are provided with oil injection grooves to assist mounting and dismounting of the bearing

Mounting

Three techniques can be used to properly mount the SKF sealed spherical roller bearing on the adaptor sleeve:

- 1 SKF drive-up method
- 2 Axial drive-up method
- 3 Angle method

SKF highly recommends the SKF drive-up method

Fig. 2

Three barriers

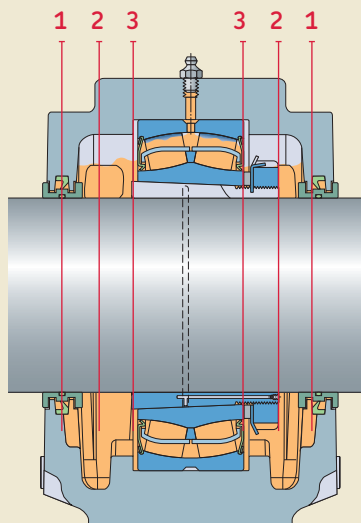


Table 2

Adapter sleeves and spacer rings

| Shaft diameter - inch | Adapter sleeve | Spacer ring |
|-----------------------|------------------------------------|---------------|
| $2\frac{7}{16}$ | SNW 15 x $2\frac{7}{16}$ | SR-BS2-2215 |
| $2\frac{11}{16}$ | SNW 16 x $2\frac{11}{16}$ | SR-BS2-2216 |
| $2\frac{15}{16}$ | SNW 17 x $2\frac{15}{16}$ | SR-BS2-2217 |
| $3\frac{3}{16}$ | SNW 118 x $3\frac{3}{16}$ | SR-BS2-2218 |
| $3\frac{7}{16}$ | SNW 120 x $3\frac{7}{16}$ | SR-BS2-2220 |
| $3\frac{15}{16}$ | SNW 122 x $3\frac{15}{16}$ / VZ726 | None required |
| $4\frac{3}{16}$ | SNW 124 x $4\frac{3}{16}$ | SR-BS2-2224 |
| $4\frac{7}{16}$ | OSNW 126 x $4\frac{7}{16}$ | SR-BS2-2226 |
| $4\frac{15}{16}$ | OSNW 28 x $4\frac{15}{16}$ | SR-22228-2CS5 |
| $5\frac{3}{16}$ | OSNW 30 x $5\frac{3}{16}$ H | SR-22230-2CS5 |
| $5\frac{7}{16}$ | OSNW 32 x $5\frac{7}{16}$ H | SR-22232-2CS5 |
| $5\frac{15}{16}$ | OSNW 34 x $5\frac{15}{16}$ | SR-22234-2CS5 |
| $6\frac{7}{16}$ | OSNW 36 x $6\frac{7}{16}$ | SR-22236-2CS5 |
| $6\frac{15}{16}$ | OSNW 38 x $6\frac{15}{16}$ | SR-22238-2CS5 |
| $7\frac{3}{16}$ | OSNW 40 x $7\frac{3}{16}$ | SR-22240-2CS5 |
| $7\frac{15}{16}$ | OSNW 44 x $7\frac{15}{16}$ | None required |

The adapter sleeve and spacer ring must be ordered to mount the sealed spherical roller bearing properly.

© SKF is a registered trademark of the SKF USA Inc.

The contents of this publication are the copyright of the publisher and may not be reproduced (even extracts) unless prior written permission is granted. Every care has been taken to ensure the accuracy of the information contained in this publication but no liability can be accepted for any loss or damage whether direct, indirect or consequential arising out of the use of the information contained herein.

© 2012 SKF USA Inc.

Publication 600-100

(1.5M/AN 9/2013)

Version 9/2013

Printed in U.S.A.

