

With over **20 000 variations** SKF offers parts and kits to carry out complete repairs for virtually every automotive make and model in the world.

20 000+
PRODUCT VARIATIONS
FOR COMPLETE AND
LASTING REPAIRS



Latest technology and OE expertise
> For decades the world's top manufacturers have put their trust in us.



Vehicle aftermarket products

Wheel end, engine, driveline, steering, suspension products and tools

Comprehensive support offer
> With our E-catalogue expertise (e.g. TecDoc), phone and e-mail helpline, training programs, digital catalogues, technical guides and educational videos, we help you install confidence every day.

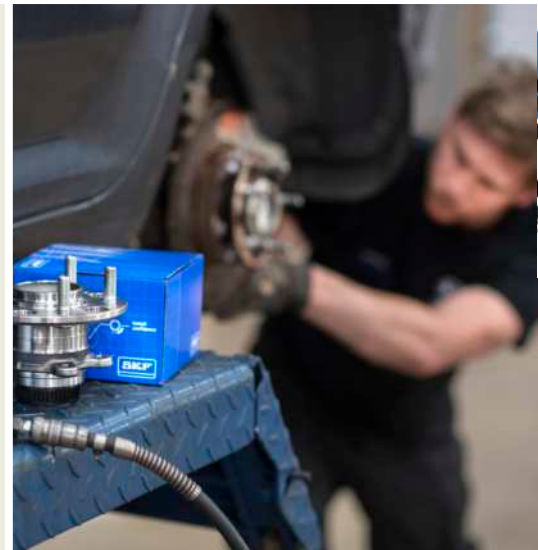


"Complete Kit Concept"
> Our specific packaging approach enables a complete repair with just one kit.

On-demand delivery
> 24/7 online parts ordering and next day delivery make us "best in class" in logistics.



Who we are
> A broad range of products and services and a focus on continuous innovation and improvement make us a trusted partner for the top vehicle aftermarket distributors.
> For decades SKF has been a trusted OE supplier to the world's top car manufacturers and racing teams around the globe. We utilize this experience to deliver high quality products and premium services to our customers in the aftermarket for cars and commercial vehicles all over the world.

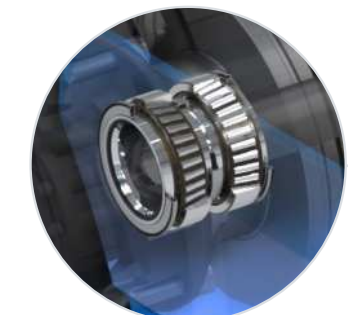


vsm.skf.com

© SKF is a registered trademark of the SKF Group
X-tracker is a trademark of the SKF Group
YouTube is a registered trademark of Google inc.
TecDoc is a trademark owned by TecAlliance
© SKF Group 2018
The contents of this publication are the copyright of the publisher and may not be reproduced (even extracts) unless prior written permission is granted. Every care has been taken to ensure the accuracy of the information contained in this publication but no liability can be accepted for any loss or damage whether direct, indirect or consequential arising out of the use of the information contained herein.
PUB 80/P2 16956/4 EN - December 2018
Certain image(s) used under license from Shutterstock.com.



Wheel end products



Transmission products



Engine products



Driveline products



Steering and suspension products



Wheel end products



Engine products



Wheel end products

SKF has pioneered every major advance in wheel and hub bearing technology since the invention of the automobile. We are the trusted engineering partner and OE component supplier to major vehicle manufacturers and today more than 90 million cars worldwide run on bearings made by SKF.

First generation wheel bearing kit – VKBA

Greased and sealed for life, the first generation wheel bearing cuts installation time and virtually eliminates problems caused by improper seal handling and bearing clearances.



Flange bearings – VKBA

- The second generation wheel bearing replaces the function of a separate bearing unit by combining a double-row ball bearing unit and an integral mounting flange.
- The third generation wheel bearing features two flanges – one for installing to the wheel and brake rotor assembly, one for fixing to the suspension – the third generation wheel bearing provides a significant simplification in corner design.



SKF X-Tracker

Delivering car-like handling, comfort, and safety to light-duty trucks, this patented hub unit solution increases bearing capacity and improves hub stiffness by 50% compared to traditional tapered roller bearing units, without increasing bearing width.



Wheel bearing and brake kit – VKBD

SKF offers a pre-assembled system, with a wheel bearing integrated into a brake disc/drum. It's faster and easier to install, therefore minimizing risks of installation errors. All parts are OE quality to ensure performance and reliability.



Wheel end tools – VKN 600, 601, 602-1

Wheel bearing tools for easy and fast mounting and dismounting of HBU 2.1 (compact) bearings of all sizes. No need to remove the ABS sensor or the knuckle from the car. Applies pressure at the right area (outer ring), avoiding damage of sensitive components. 3 kg low weight hydraulic cylinder (18 tons pressing and pulling capability) available as an extension to wheel bearing tool kits above.



Complete hubs for trucks and trailers VKHC*

The high-quality assemblies are a perfect fit with original parts: bearings, hubs, accessories and fastening parts all match OE specifications and requirements.

The pre-mounted assembly of bearings and hub also enables quick one-piece exchange procedures, ensuring easier and faster replacement, greatly reducing the risk of installation errors down the road.



Single tapered roller bearings – VKHB(S)*

Combining two TRB's in an O-arrangement, single tapered roller bearings can be lubricated with grease or oil and need maintenance according to the OE maintenance procedure.



Truck matched unit – VKBA*

Truck Matched Units have two separate outer rings and two extended inner rings. TMUs can be lubricated with grease or oil. The bearing itself is a low maintenance design. The clearance/preload setting is adjusted during manufacturing of the bearing.



Truck hub unit 1 and 2 – VKBA*

- The Truck Hub Unit 1 system consists of a one piece outer ring and two extended inner rings, pre-greased and sealed for life.
- The outer ring design of the THU2 includes a flange for mounting the wheel adapter. The THU2 system does not require an additional hub. The THU2 is solely grease lubricated.



Both bearings themselves are a low maintenance design and must not be disassembled for service. The clearance/preload setting is adjusted during manufacturing of the bearing.



Transmission bearing – VKT*

Transmission bearings provide top performance and service life, recognized by performance-focused customers over many years in a wide range of applications. Performance is driven to large extent by the specific internal geometry, surface finish, design optimization and precise manufacturing.



Seals – VKS*

Seals use advanced material developments and sealing lip designs to provide both low friction and excellent contamination exclusion which results in long service life.



Grease – VKG*

Premium quality mineral oil based lithium complex grease with extreme pressure performance. Extremely thermally stable within its operating temperature range and up to 220 °C for intermittent operation. Suitable in wheel bearings or vehicles fitted with disc brakes.



* for commercial vehicles

Engine products

SKF replacement kits for timing, auxiliary and cooling systems include all the components needed for everything from basic engines to the latest high-performance, downsized engines.

Timing chain kit with components – VKML

Our timing chain kits are consistent and easy to match to the repair at hand, cover the core European and Asian car models and contain components specifically selected to ensure high quality repairs.



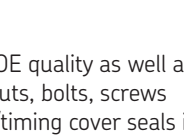
Timing belt kit with water pump – VKMC

The correct belt for your application in trusted OE quality and a premium water pump for maximum performance.



Timing belt kit with components – VKMA

The correct belt for your application in trusted OE quality as well as premium quality tensioners and idler pulleys, nuts, bolts, screws and other fasteners, high-class camshaft seals/timing cover seals in OE specification.



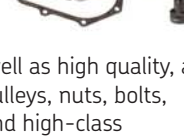
Multi-V belt kit with water pump – VKMC

Multi-V belt matching the exact OE length as well as high quality water pumps for optimum performance and reduced fuel consumption.



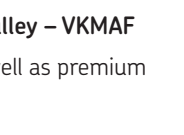
Multi-V belt kit – VKMA

Multi-V belt matching the exact OE length as well as high quality, as well as premium quality tensioners and idler pulleys, nuts, bolts, screws and other fasteners where necessary and high-class camshaft seals/timing cover seals in OE specification design.



Multi-V belt kit with freewheel alternator pulley – VKMAF

Multi-V belt matching the exact OE length as well as premium quality freewheel alternator pulley.



Auxiliary belt – VKMV

SKF belts are especially engineered for the very latest engines that no longer use tensioners.



Loose metal pulleys – VKM

- High quality belt tensioner unit to set the right tension and provide guidance for the belt.
- High quality dampers to reduce the torsional vibrations of the crankshaft, filtering the low frequency vibrations generated (in particular by diesel engines), enabling a longer life span of the auxiliary system.
- High quality pulleys to reduce vibrations in the auxiliary system, helping to maintain the performance of the system components and the multi-V belt for as long as possible.



Water pump units – VKPC*

Taking into consideration the performance gap between OE water pumps and most aftermarket products, SKF has developed the AquaMax water pump for passenger cars as well as a range of pumps for commercial vehicles to guarantee OE performance.



Engine tools – VKN 1000 - VKN 1009

10 timing tools to maintain camshaft/crankshaft synchronization and carry out timing system repairs. Each tool kit includes a QR code to download fitting instructions with step-by-step guidelines.



Engine tool – VKN 300

Auxiliary belt tool to lock pulley and belt, making the fitting of the stretchy belt simple and quick. Reusable tool.



FAPU tool set – VKN 350 and 351

Freewheel alternator pulley tool for correct removal and installation without damaging surrounding components. Only two sets needed to replace any FAPU.



Automatic belt tensioner unit and pulley – VKMCV*

Automatic belt tensioner units for auxiliary drive systems include tandem bearings to withstand higher load capacity and ensure longer bearing life.



* for commercial vehicles

Driveline products

SKF components for transmission, drive shafts and constant velocity joints embody world-class technology to reduce overall friction and maintain smooth operation.

Driveshaft kit – VKJC

Each kit includes a pre-assembled driveshaft, inner and outer CV-Joints, boots, clamps, nuts and grease. Our driveshaft kits are new, not remanufactured.



CV-Joint kit – VKJA

SKF CV-Joint kits always include new CV-Joints to the highest car manufacturer standards and premium quality components in one complete kit: CV-Joint, boot, clamps, plus other components needed for the installation.



We also offer the same high quality CV-Joint including dust cover to create protection from water and dirt and extend the components' lifespan. Dust covers come already assembled on the joints.



Boot kit – VKJP

SKF neoprene universal boots provide a long, trouble-free service life. The SKF design with extended ridges allow for even more flexible of movement and high sealing capacity. SKF produces boots for cars and Light commercial vehicles. Also included: clamps, nuts/bolts and grease where necessary.



Watch the video on replacing the boots here: tiny.cc/universal_boot

Driveline tools – VKN 400

Boot tool for tightening and cutting universal clamps accurately and evenly. Professional alternative to standard scissors/cutters.



Driveline tools – VKN 401

Tightening tool for pinching ear clamps accurately.



Driveline tools – VKN 402

Pneumatic expander tool to fit universal boots (CVJ up to 115 mm) without dismantling the CV-Joint or removing the driveshaft from the car (in most cases). No physical effort required to expand the boot.



Steering and suspension products

SKF solutions optimized for various road conditions help improve vehicle ride and handling

Ball joint – VKDS

SKF upper and lower ball joint kits are the pivot between the wheels and the suspension. Endurance, sealing performance and stiffness are all essential features of these components.



Track control arm and wishbone – VKDS

SKF track control arm kits are made of a combination of rubber, metal and hydraulic bushes. These hinged suspension links enhance ride handling and performance. Kit combinations come with and without state-of-the-art ball joints and silent blocks.



Stabilizer link – VKDS

SKF stabilizer links play a crucial role in the performance of a wide range of vehicles by improving vehicle handling and shock absorption. These corrosion resistant components ensure long service life and come with and without silent blocks.



Silent blocks – VKDS Suspension track control arm bushings and suspension stabilizer bar bushings

Silent blocks maintain dynamic wheel alignment and reduce transmitted noise, road shock and vibration, while providing resistance to suspension movement.



Top mount kit – VKDA-C

SKF top mount kits are supplied in twin packs. They include all the components for the right and left side as well as for the front and rear axles of the vehicle, including rubber mounts and nuts and bolts when required.



Suspension repair kit – VKDR

The SKF kit includes all the necessary top mount components as well as the auxiliary spring bumper and the dust cover.



Suspension arm kit – VKDA

SKF rear suspension kit features a suspension arm designed to provide better rear axle handling, higher stability in turns and reduced braking distances.



Strut protection kit – VKDP

The SKF kit contains dust cover and bump stop/auxiliary spring manufactured from specially developed polyurethane according to OE specifications



Suspension bearing – VKD

The SKF suspension bearings serve as the upper pivot points for the steering system and allow for smooth handling when the wheels are turned.



Tie rod end – VKDY

The tie rod end ensures the steering system of the vehicle while preserving it from shocks thanks to its stiffness.



Axial joint – VKDY

SKF steering axial joint, tie rod end and axial joint assembly kits cater for all repair needs. They play a crucial role in the steering system by connecting the front wheels and enabling them to move in a functional way.



Rod assembly – VKDY

The SKF kit includes steering axial joint, tie rod end and steering boot to ensure all parts are available for a complete repair.



Steering boot – VKJP

SKF steering boots are made of rubber or thermoplastic depending on OE specifications. The thermoplastic boots are supplied with specific metal clamps (in line with OE specifications) while most competitors use plastic clamps.



For more technical information, watch our installation videos on our official **YouTube channel “SKFAftermarket”**.



To order products, please contact your local distributor or local dealer.

