



Service Guide

6268-2
325540-1
325540-2

High-Pressure Lever-Operated Gun

Overview

Stripped Gun

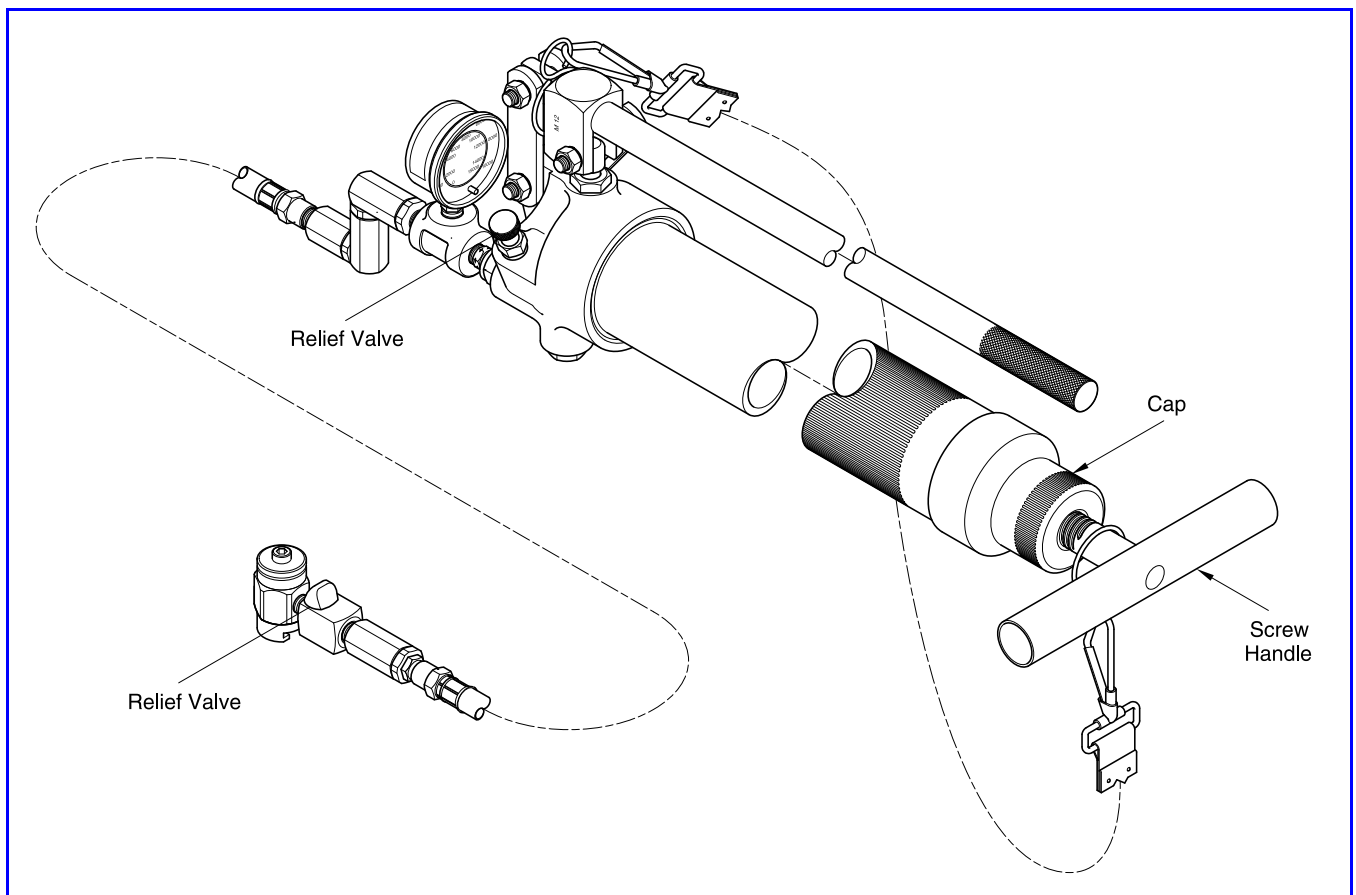
Lever-operated gun model 6268-2 is included in both models of gun assemblies (with delivery system).

Gun with Delivery Systems

Models 325540-1 and 325540-2

The delivery system for each gun assembly model is identical up to the coupler assembly. See **Figures 1 and 2.**

All gun models are designed for lubricating valves and other components with high-pressure requirements.



Gun and Delivery System Model	Coupler	Stripped Gun (See Figure 3-B)	Cylinder Capacity		Delivery/Stroke		Maximum Operating Pressure	
			Ounces	Grams	Ounce	Grams	psi	Bars
325540-1	Giant Button-Head	6268-2	12	341	0.04	18.2	15,000	1035
325540-2	Saf-T-Vent Oil Field							

Figure 1 High-Pressure Lever-Operated Gun Model 325540 Series - Model 325540-1 Shown

Alemite LLC
167 Roweland Drive, Johnson City, Tennessee 37601

Copyright © 1998 by Alemite LLC

This document contains confidential information that is the property of Alemite LLC and is not to be copied, used, or disclosed to others without express written permission.

SER 6268-2
Revision (4-10)

Operation

Warning

These guns can develop up to 15,000 psi (1035 Bars) pressure.

A check valve in the delivery system (or lubrication fitting) must be present to prevent back-pressure from entering the reservoir of the gun. Personal injury can occur.

IMPORTANT: Check to ensure the relief valve on the gun is closed (fully seated). See Figure 1.

1. Load the Gun as required.
 - Refer to the section entitled **Loading the Gun** for details.
2. Wipe the end of the Coupler and the fitting to be lubricated with a clean cloth.
3. Attach the Coupler to the lubrication fitting.
4. Make sure the relief valve on the delivery system is closed. See **Figure 2**.
5. Screw the Handle and Screw Assembly into the Cap as far as possible.

NOTE: The Handle and Screw Assembly screws into the Cap of the gun to compress the follower spring. See **Figure 3-B**. This action mechanically forces lubricant into the head of the gun.

6. Operate the lever until the proper amount of lubricant is dispensed.

Every 15 to 20 Strokes

During operation, the follower spring loses compression. To ensure full volume delivery on every stroke, the spring requires to be compressed after 20 strokes of the lever.

Model Dependent Step

7. Release the pressure at the Coupler.
 - Rotate the Coupler assembly's relief valve handle one-quarter turn to the open position (Giant Button-Head Model 325540-1). See **Figure 2**.
 - Turn the Coupler's screw handle fully counterclockwise. (Saf-T-Vent Model 325540-2). See **Figure 2**.
 - Open the relief valve screw on the gun. (stripped gun model 6268-2)

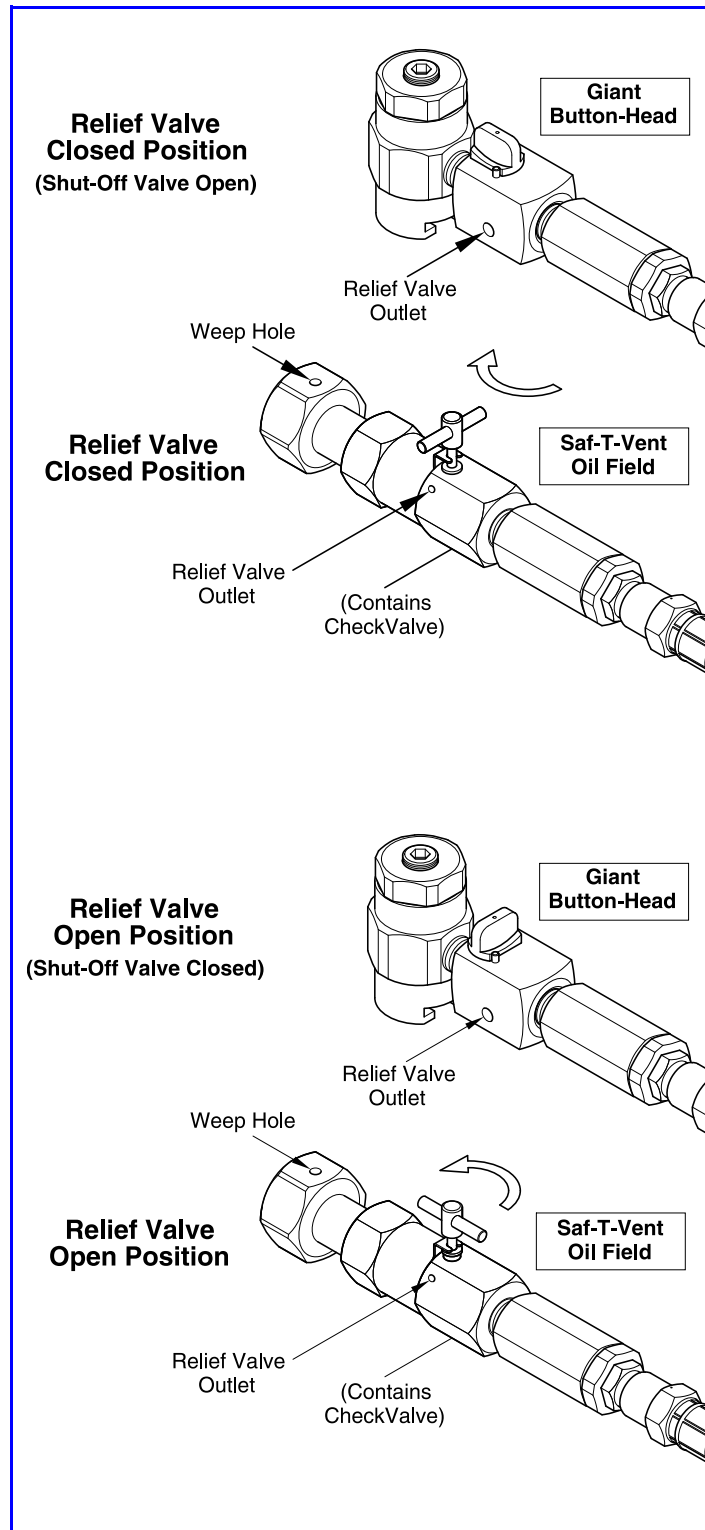
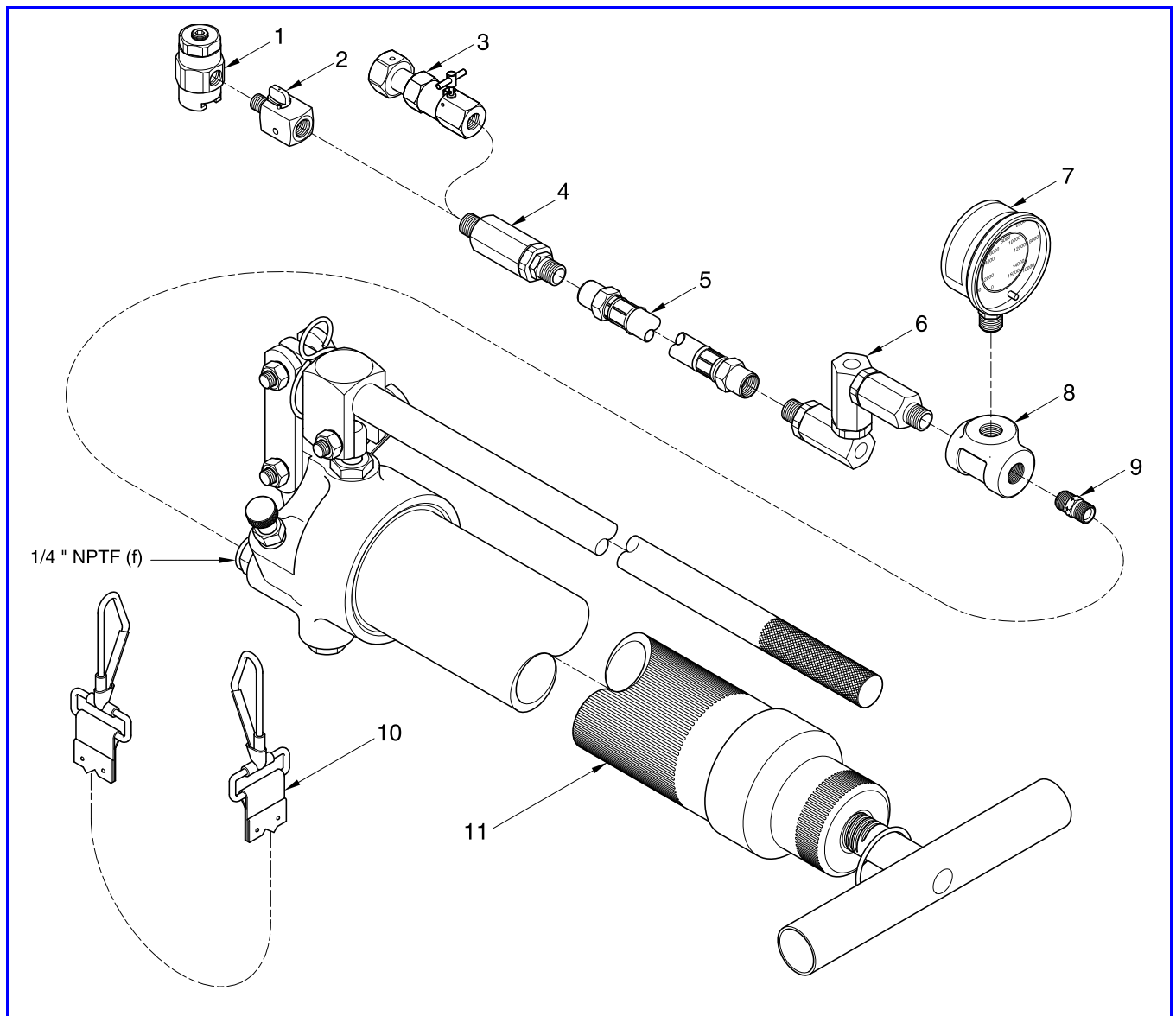


Figure 2 Closed and Open Position of Relief Valve on Coupler Assembly

8. Remove the Coupler from the fitting.
9. Close the relief valve.



Item No.	Part No.	Description	Qty	Model	Notes
1	319702	Coupler, High-Pressure	1	Model 325540-1	See Figure 7
2	319700	Valve, Shut-Off and Relief	1		
3	310428	Coupler Assembly, High-Pressure	1	Model 325540-2	
4	B52750	Swivel Assembly, Straight	1		See Figure 6
5	317875-1F	Hose, High-Pressure (18 " Long)	1		
6	B52752	Z-Swivel, High-Pressure	1		See Figure 6
7	317150	Gauge, High-Pressure	1		
8	309727	Tee, High-Pressure	1		
9	327033	Adapter, High-Pressure	1		
10		Strap, Shoulder	1		
11	6268-2	Gun Assembly, High-Pressure	1		See Figure 3-B

Figure 3-A High-Pressure Lever-Operated Gun Model 325540 Series - Exploded View

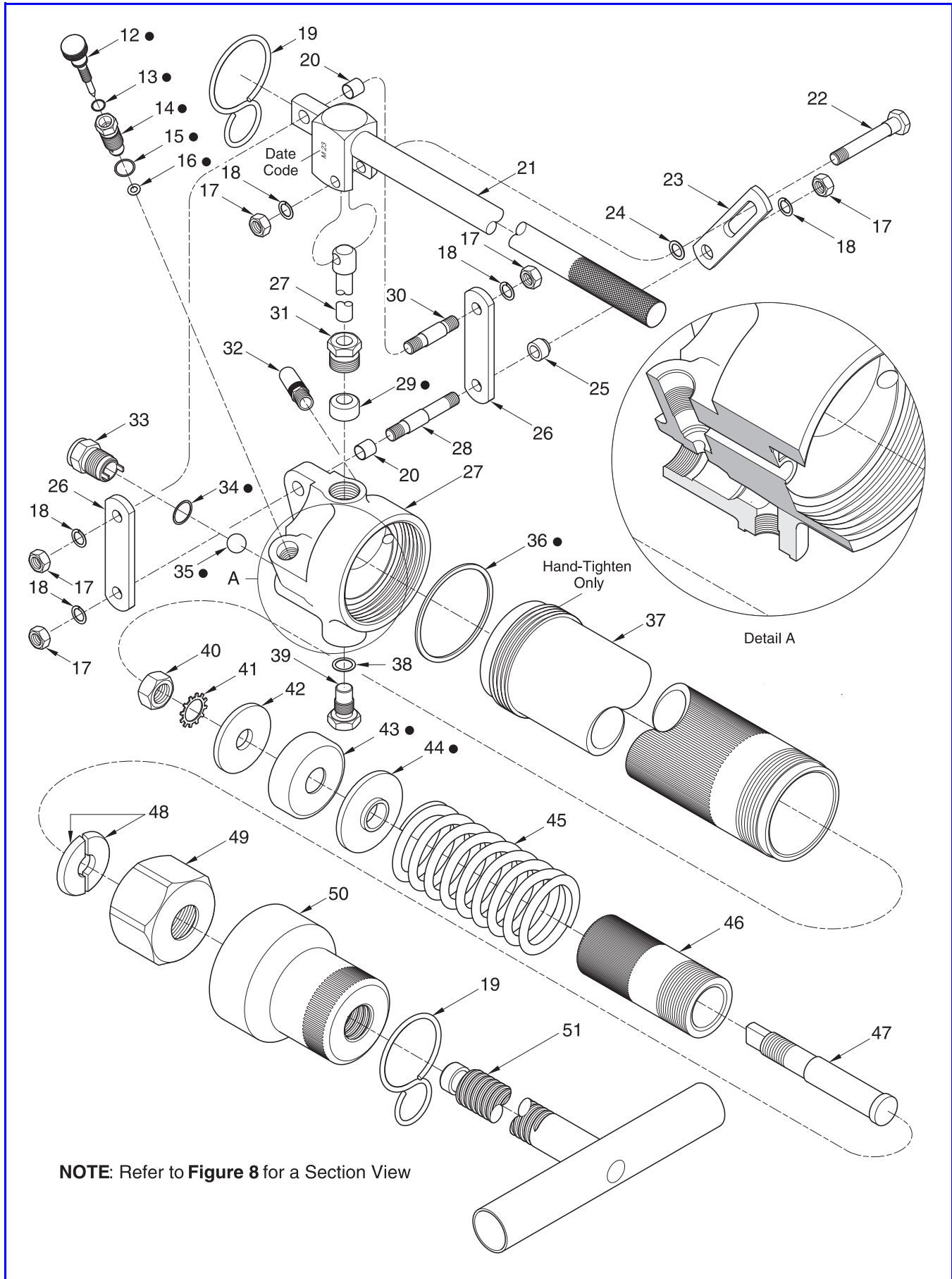


Figure 3-B High-Pressure Lever-Operated Gun Model 6268-2 - Exploded View

Item No.	Part No.	Description	Qty	Notes
12		Screw, Relief Valve	1	●
13		O-Ring, 1/4 " ID x 3/8 " OD	1	●
14		Body, Relief Valve	1	●
15		O-Ring, 7/16 " ID x 9/16 " OD	1	●
16		Gasket (Copper)	1	●
17		Nut, 1/4 " -20	5	
18		Washer, Lock, 1/4 "	5	
19		S-Hook	2	
20		Bushing	2	
21		Lever Assembly	1	
22		Pin, Piston	1	
23		Stop, Piston	1	
24		Washer	1	
25		Spacer	1	
26		Link	2	
27	327603	Head and Piston Assembly, Cylinder	1	Includes item 20
28		Link, Pin	1	
29		Packing	1	●
30		Pin, Link	1	
31		Screw, Packing	1	
32		Fitting Assembly, Loader	1	
33		Adapter	1	
34		Gasket (Copper)	1	●
35		Ball, 7/16 " Dia.	1	●
36		Gasket (Fiber)	1	●
37		Cylinder	1	
38		Gasket (Copper)	1	
39		Plug	1	
40		Nut, 3/8 " -16	1	
41		Washer, Lock, 3/8 "	1	
42		Washer	1	
43		Cup (Leather)	1	●
44		Bushing and Washer Assembly	1	●
45		Spring	1	
46		Sleeve	1	
47		Screw, Shoulder	1	
48		Ring, Split	2	
49		Nut, Retaining	1	
50		Cap, Cylinder	1	
51		Handle and Screw Assembly	1	
Legend: Part numbers left blank are not available separately ● designates a repair kit item				

Repair Kit

Part No.	Kit Symbol	Description
394117	●	Kit, Repair

Loading the Gun

Types of Lubricant

The gun is designed to dispense both stick (valve plug sealant) lubricants and grease.

Stick Loading

NOTE: Refer to **Figure 3-B** for component identification of the following procedures.

1. Unscrew Cylinder (37) from Head Piston Assembly (27).

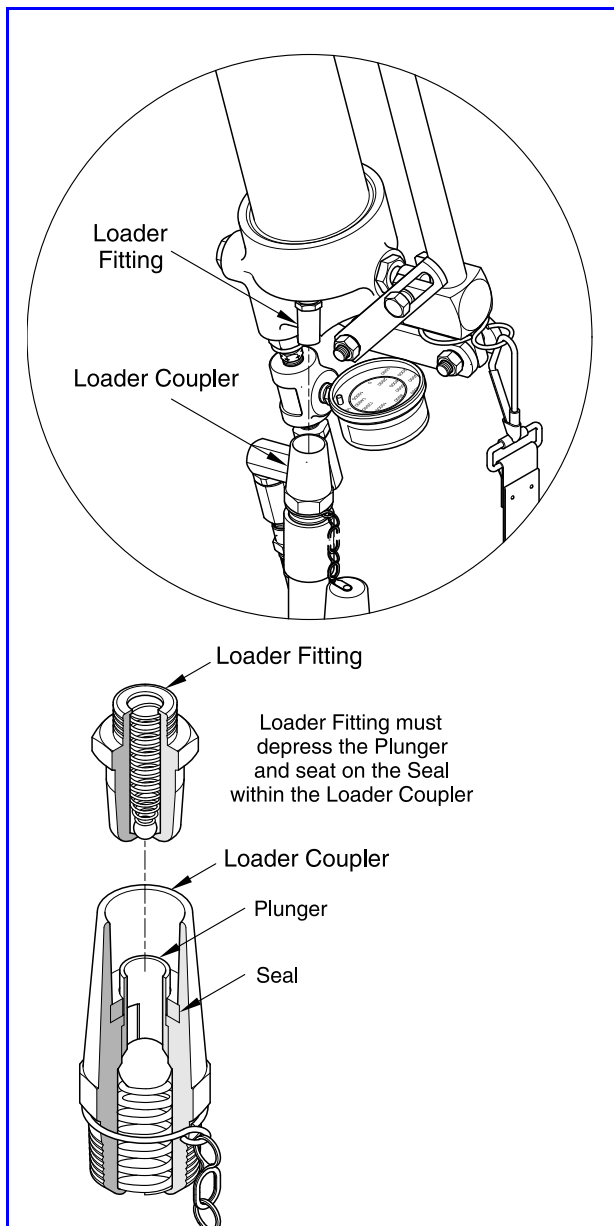


Figure 4 Loader Fitting and Loader Coupler Section View

2. Unscrew Handle and Screw Assembly (51) as far as possible from Cylinder Cap (50).
3. Load the stick into the Cylinder.

IMPORTANT: Hand-tighten the Cylinder into the Head Assembly.

4. Screw the Cylinder onto the Head Assembly.
5. Screw the Handle and Screw Assembly into the Cylinder Cap until the Handle bottoms [Spring (45) is compressed].

Loading the Gun from a Loader Pump

Each gun is equipped with a Loader Fitting. This fitting allows the direct filling of grease from a hand-operated pump. See **Figure 4**.

6. Unscrew the Handle and Screw Assembly at least 1/2-inch (13 mm) from the Cylinder Cap. See **Figure 5**.
7. Unscrew the Cylinder Cap from the Cylinder.
8. Wipe the Loader Fitting with a clean cloth.

CAUTION

The Loader Fitting on the gun must mate with the loader coupler. The pump may not operate if the components are not compatible.

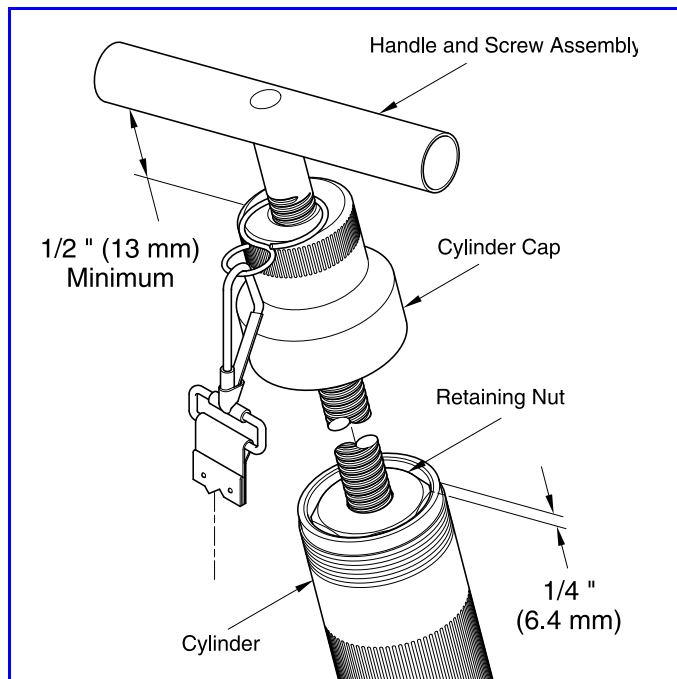
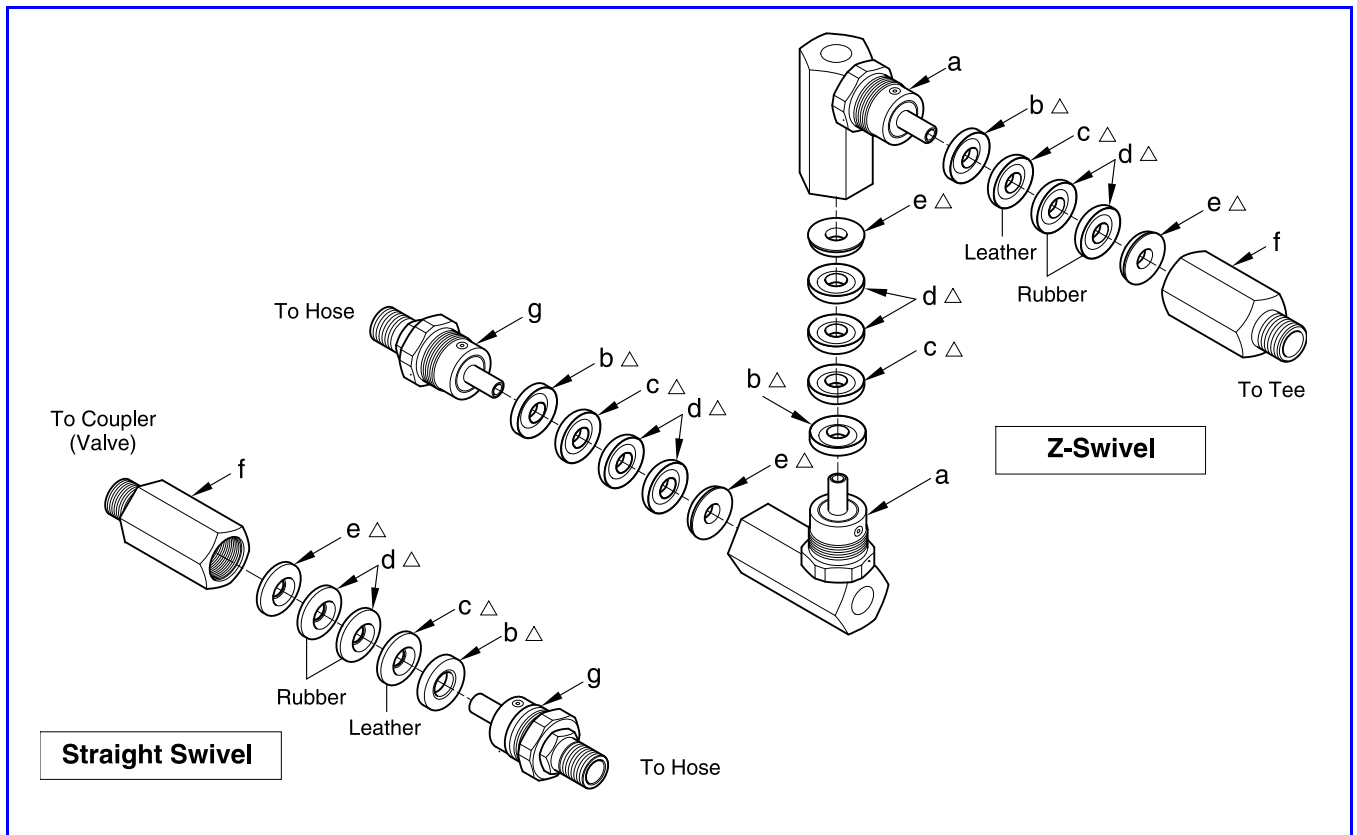


Figure 5 Component Dimensions for Loader Pump Filling



Item No.	Note	Description	Qty		Item No.	Note	Description	Qty	
			Str	Z				Str	Z
a		Body and Stud Assembly	-	2	e	Δ	Ring, Support, Male	1	3
b	Δ	Ring, Support, Female	1	3	f		Adapter, Swivel, 1/4 " NPTF (m)	1	1
c	Δ	V-Packing (Leather)	1	3	g		Adapter, Swivel, 1/2 " -27	1	1
d	Δ	V-Packing (Rubber)	2	6					

Legend:
 Δ designates a repair kit item

Repair Kit

Part No.	Kit Symbol	Description
398719-1	Δ	Kit, Repair [Quantity for six (6) Straight Swivels and two (2) Z-Swivels]

Figure 6 High-Pressure Straight and Z-Swivels - Exploded View

9. Operate the pump and view the movement of the Handle and Screw Assembly.
10. Seat the Loader Fitting into the loader coupler.
 - See **Figure 4**.
11. Discontinue pump operation once the Retaining Nut is 1/4 " (6.4 mm) from the end of the Cylinder.
 - See **Figure 5**.
12. Remove the gun from the loader coupler.
13. Screw the Cylinder Cap down the Handle and Screw Assembly and onto the Cylinder.

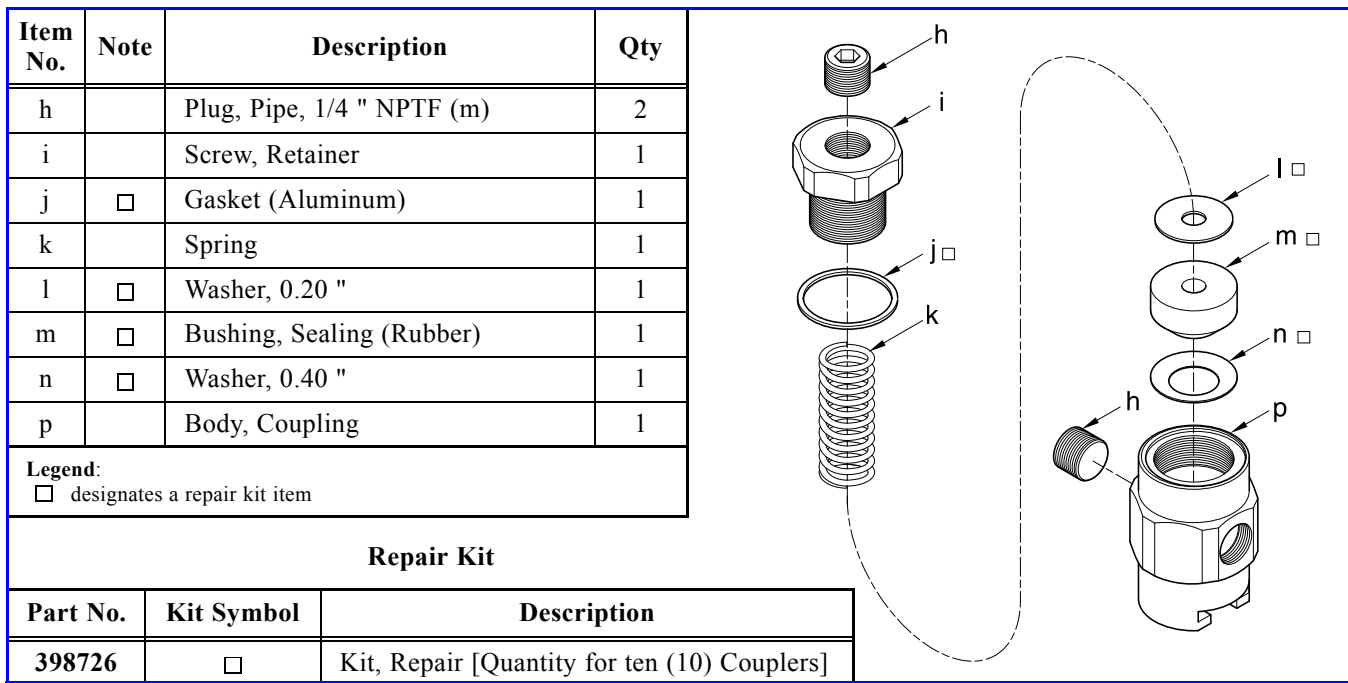


Figure 7 High-Pressure Coupler - Exploded View

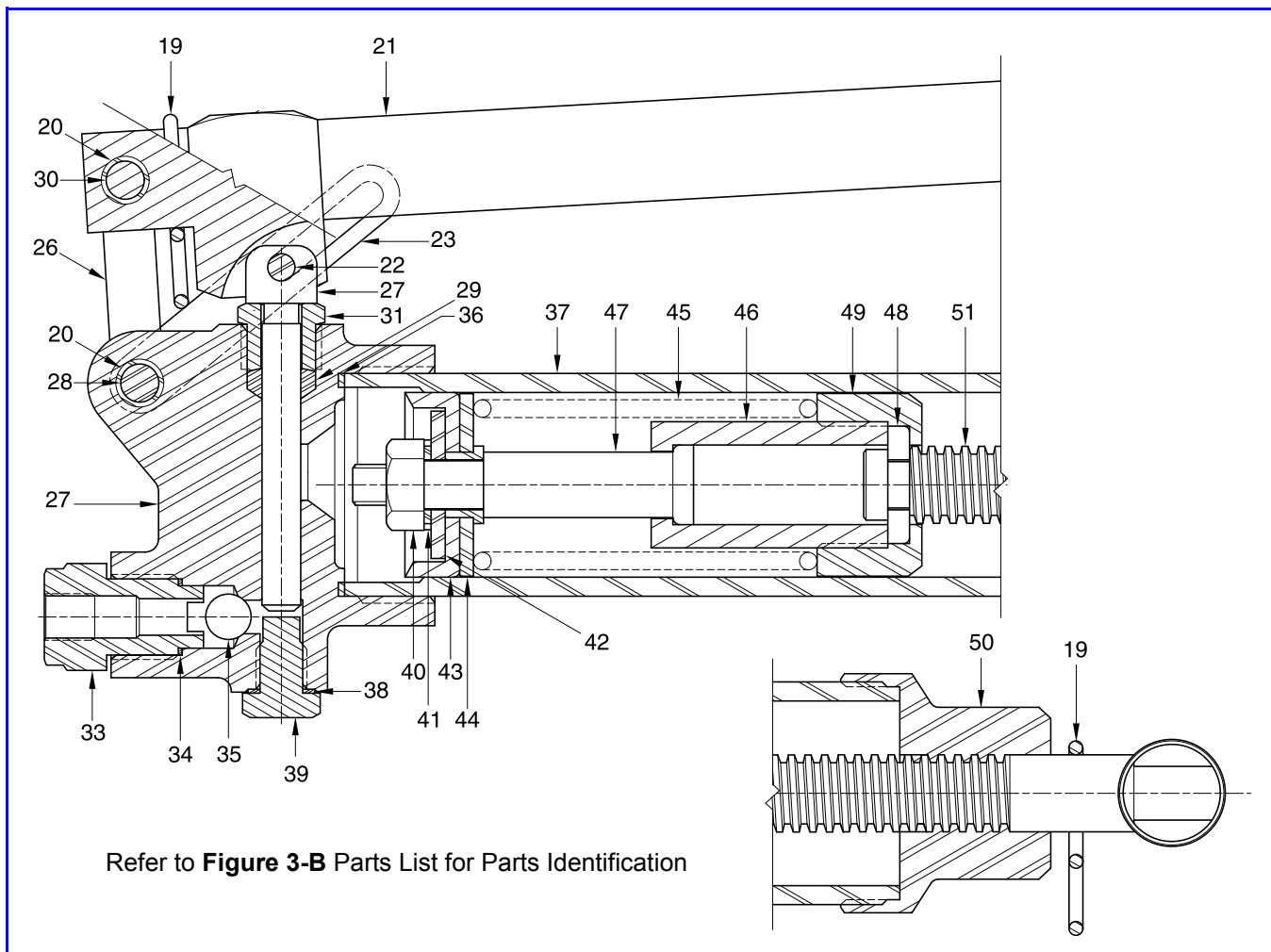


Figure 8 High-Pressure Lever-Operated Gun Model 6268-2 - Section View

Troubleshooting Chart

Gun Indications	Possible Problems	Solution
Gun does not pump	Air within Head Assembly (27)	Screw the Handle and Screw Assembly into the Cylinder Cap until the Handle bottoms (Spring (45) is compressed). Operate the lever of the gun.
Gun lacks pressure	<ol style="list-style-type: none"> 1. Initial tightening of Relief Valve Body (14) into Head and Piston Assembly (27) not sufficient 2. Relief Valve Screw (12) in the open position (not seated) 3. Worn or damaged Relief Valve Screw (12) and/or Relief Valve Body (14) 4. Worn or damaged Gasket (16) 5. Worn Piston and/or bore in Head and Piston Assembly (27) 	<ol style="list-style-type: none"> 1. Tighten Relief Valve Body (14) into Head and Piston Assembly (27) 2. Tighten Relief Valve Screw (12) into Head and Piston Assembly (27) 3. Use Repair Kit 394117 4. Use Repair Kit 394117 5. Replace Head and Piston Assembly (27)
Gun does not hold pressure (pressure falls when lever is raised)	<ol style="list-style-type: none"> 1. Foreign material between Ball (35) and seat in Head and Piston Assembly (27) 2. Worn or damaged seat in Head and Piston Assembly (27) 3. Worn or damaged ball (35) 	<ol style="list-style-type: none"> 1. Disassemble components and eliminate foreign material 2. Hammer Ball (35) into Head and Piston Assembly (27) to recondition seat. 3. Use Repair Kit 394117
External Leakage		
Grease leakage visible at Cap (50)	<ol style="list-style-type: none"> 1. Worn or damaged Cup (43) 2. Damaged Cylinder (37) 	<ol style="list-style-type: none"> 1. Use Repair Kit 394117 2. Replace Gun
Grease leakage visible between Cylinder (37) and Head and Piston Assembly (27)	<ol style="list-style-type: none"> 1. Initial tightening of Cylinder (37) into Head and Piston Assembly (27) not sufficient 2. Worn or damaged Gasket (36) 	<ol style="list-style-type: none"> 1. Tighten Cylinder (37) into Head and Piston Assembly (27) 2. Use Repair Kit 394117
Grease leakage visible at Plug (39)	<ol style="list-style-type: none"> 1. Plug (39) loose 2. Worn or damaged Gasket (38) 	<ol style="list-style-type: none"> 1. Tighten Plug (39) 2. Use Repair Kit 394117
Grease leakage visible at Head and Piston Assembly (27)	<ol style="list-style-type: none"> 1. Worn Relief Valve O-Ring (15) 2. Initial tightening of Packing Screw (31) into Head and Piston Assembly (27) not sufficient 3. Worn or damaged Packing (29) 	<ol style="list-style-type: none"> 1. Use Repair Kit 394117 2. Tighten Packing Screw (31) into Head and Piston Assembly (27) 3. Use Repair Kit 394117
Grease leakage visible at delivery system components	Initial tightening of components not sufficient	Tighten components

Changes Since Last Printing

Update Repair Parts

