

Electric Grease Transfer Pump GTP

For pumping lubricants from separate grease drums



Features

- Purely electric drive
- For grease drum sizes from 25 to 200 kg
- For pressure up to 100 bar
- Filling hose with quick-release coupling or connection with M30x2 thread
- High delivery volume up to 2500 cm³/min

Advantages

- Powerful even where only power connection (no air connection) is available
- Fast filling even at low temperatures
- Time- and effort-saving alternative to manual filling
- Easy-to-use in mobile applications

Fields of application

- Filling reservoirs of centralized lubrication pumps units, e.g. in the fields of
 - Wind energy
 - Vehicles
 - General mechanical and plant engineering
- Mobile use for service teams

GTP Electric Grease Transfer Pump

Technical Data and Pump Design



The electric GTP (Grease Transfer Pump) is a gerotor pump for 25-kg/30-l grease drums. Pump frames for grease drum sizes of 50 to 200 kg are available on request.

The pump is ready for operation after switching on the main switch on the terminal box. The function status is shown by 2 LEDs. Green indicates the power supply and yellow the pump's operational readiness. The pump delivers grease as long as the button on the wired remote control is pressed.

The grease in the reservoir is drawn below the follower plate and fed by a gerotor pump. When the follower plate reaches the bottom of the drum, it actuates an empty signal switch (optional), causing the pump to shut off automatically. Opening the vent simplifies replacement of the empty grease drum.

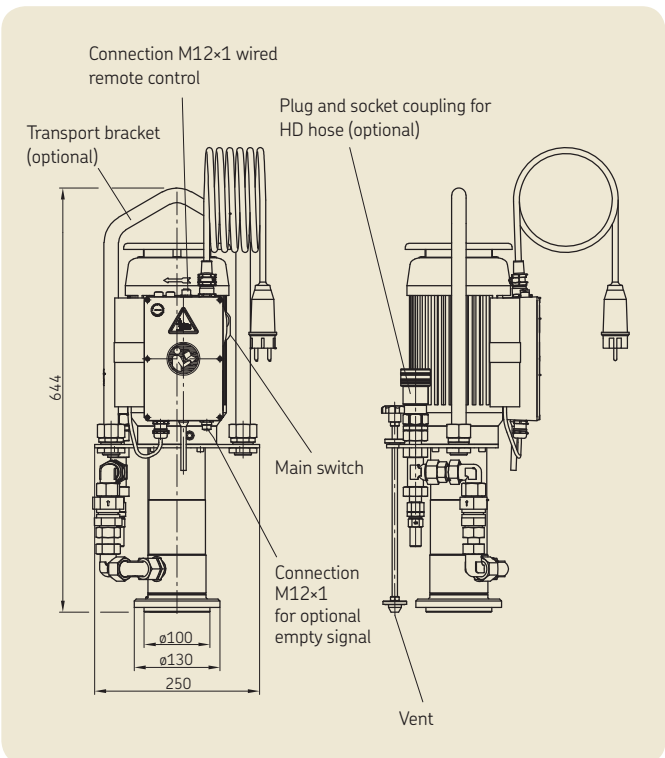
Hose lines are available in different lengths with matching couplings to connect to the pump reservoir that is to be filled.

Technical data

| | |
|-------------------------|--|
| Type | Gerotor pump |
| Temperature range | -10 to +50°C |
| Mounting position | Vertical |
| Pump drive | Electric motor with starting capacitor and planetary gearing |
| System voltage | 230 V AC/50 Hz |
| Motor rating | 0.75 kW |
| Delivery volume | 2500 cm ³ /min |
| Rated delivery pressure | Max. 100 bar |
| Protection class | IP54 |
| Insulation class | F |
| Power consumption | 9 A |
| Electrical connection | Grounded plug, 3 m cable Motor protection via circuit breaker |
| Lubricant | Flow pressure max. 700 mbar, Greases of NLGI Grades 1, 2 |

Electrical filling pump

| Order No. | Description |
|--------------|--|
| 24-1560-3576 | Filling pump with transport bracket and plug and socket coupling |
| 24-1560-3595 | Filling pump without transport bracket and plug and socket coupling |
| 24-1722-2557 | Pump frame with follower plate for grease drums 25 kg/30 l with empty signal |
| 24-1722-2559 | Pump frame with follower plate for grease drums 25 kg/30 l, without empty signal |



Filling pump mounted on frame with follower plate in transport pail, reservoir capacity 25 kg/30 liters

| Order No. | Plug and socket coupling + transport bracket | Empty signal |
|--------------|--|--------------|
| 799-000-3083 | Yes | Yes |
| 799-000-3087 | No | No |
| 799-000-3089 | Yes | No |
| 799-000-3090 | No | Yes |

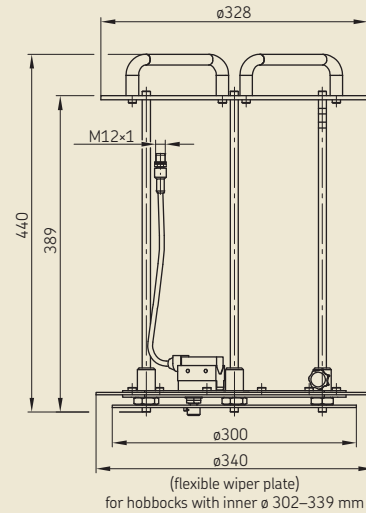
GTP Electric Grease Transfer Pump

Pump Frame Design and Accessories

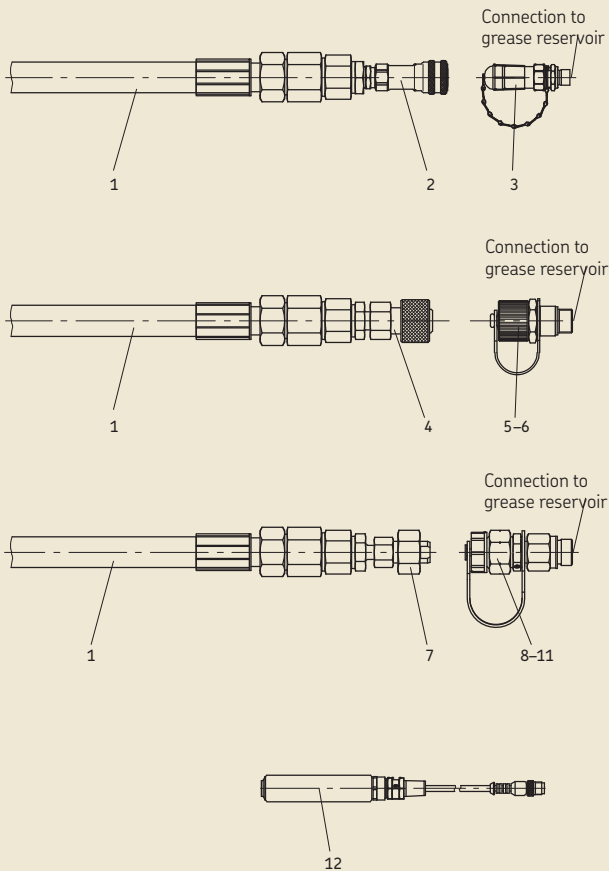
Pump frame with follower plate



Pump frame with follower plate

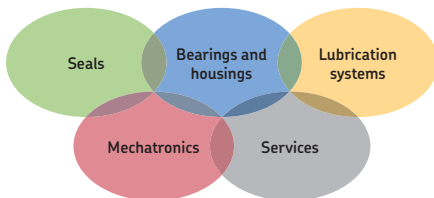


Accessories



Accessories

| Item | Description | Order No. |
|------|--|--|
| 1 | High-pressure hose Nominal diameter 19 mm, coupler plug, operating pressure 105 bar, test pressure 210 bar Length 5 m Length 10 m Length 15 m | 24-1868-4337 24-1868-4338 24-1868-4339 |
| | Nominal diameter 19 mm, connection M30x2 Length 5 m Length 10 m Length 15 m | 24-1868-4340 24-1868-4341 24-1868-4342 |
| 2 | Coupling socket G1/2 on coupler plug | 24-0159-2111 |
| 3 | Coupler plug G1/4 | 995-000-705 |
| 4 | Coupling for filler socket | 24-0159-2112 |
| 5 | Straight filler socket M20x1.5 | 169-00-174 |
| 6 | Straight filler socket M20x1.5, short | 169-000-170 |
| 7 | Connection port G1/2 for filler socket | 24-0159-2110 |
| 8 | Straight filler socket M22x1.5 | 538-36763-1 |
| 9 | Straight filler socket M22x1.5, extended | 538-36763-5 |
| 10 | Filler socket M22x1.5, angled 90° | 538-36763-2 |
| 11 | Filler socket M22x1.5, extended, angled 90° | 538-36763-4 |
| 12 | Wired remote control, cpl. M12x1 Length 5 m Length 10 m Length 15 m | 24-6077-0099 24-6077-0100 24-6077-0101 |
| | Bridge M12x1 (required if no empty signal available on pump frame) | 24-6882-0079 |



The Power of Knowledge Engineering

Combining products, people, and application-specific knowledge, SKF delivers innovative solutions to equipment manufacturers and production facilities in every major industry worldwide. Having expertise in multiple competence areas supports SKF Life Cycle Management, a proven approach to improving equipment reliability, optimizing operational and energy efficiency and reducing total cost of ownership.

These competence areas include bearings and units, seals, lubrication systems, mechatronics, and a wide range of services, from 3-D computer modelling to cloud-based condition monitoring and asset management services.

SKF's global footprint provides SKF customers with uniform quality standards and worldwide product availability. Our local presence provides direct access to the experience, knowledge and ingenuity of SKF people.

Important information on product usage

All products from SKF may be used only for their intended purpose as described in this brochure and in any instructions. If operating instructions are supplied with the products, they must be read and followed.

Not all lubricants are suitable for use in centralized lubrication systems. SKF does offer an inspection service to test customer supplied lubricant to determine if it can be used in a centralized system. SKF lubrication systems or their components are not approved for use with gases, liquefied gases, pressurized gases in solution and fluids with a vapor pressure exceeding normal atmospheric pressure (1 013 mbar) by more than 0,5 bar at their maximum permissible temperature.

Hazardous materials of any kind, especially the materials classified as hazardous by European Community Directive EC 67/548/EEC, Article 2, Par. 2, may only be used to fill SKF centralized lubrication systems and components and delivered and/or distributed with the same after consulting with and receiving written approval from SKF.

SKF Lubrication Systems Germany AG

Hockenheim Plant
2. Industriestrasse 4
68766 Hockenheim
Germany

Tel. +49 (0)6205 27-0
Fax +49 (0)6205 27-101

This brochure was presented to you by:

© SKF is a registered trademark of the SKF Group.

© SKF Group 2014

The contents of this publication are the copyright of the publisher and may not be reproduced (even extracts) unless prior written permission is granted. Every care has been taken to ensure the accuracy of the information contained in this publication. However, no liability can be accepted for any loss or damage, whether direct, indirect or consequential, arising out of use of the information contained herein.

PUB LS/P2 14657 EN · May 2014 · 1-0308-EN

