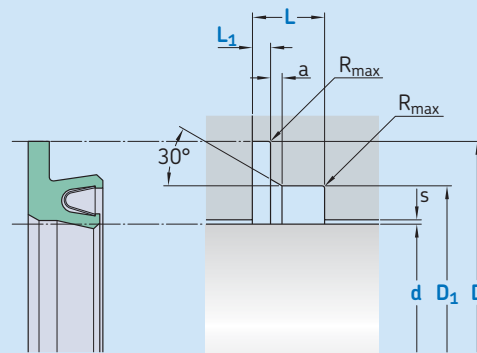


# R19-F



Ordering dimensions in **blue**

Surface roughness	$R_{tmax}$	$R_a$
<b>Sliding surface</b>	$\leq 2 \mu m$	$0,05-0,3 \mu m$
<b>Bottom of groove</b>	$\leq 6,3 \mu m$	$\leq 1,6 \mu m$
<b>Groove face</b>	$\leq 15 \mu m$	$\leq 3 \mu m$

Hardness: Min 45 HRC (55 HRC recommended), hardened depth > 0,3 mm.  
Bearing area: 50–95% and a cutting depth of 0,5  $R_z$  based on  $C_{ref} = 0\%$

Standard dimensions							Maximal radial extrusion gap			
d	D	$D_1$	a	L	$L_1$	$R_{max}$	$s^*$			
f8	H10	H9		+ 0,2			20 bar	100 bar	150 bar	
over	incl.						mm			
mm							mm			
<b>5</b>	<b>20</b>	d + 9,0	d + 5,0	0,8	3,6	0,85 -0,10	0,4	0,25	0,15	0,10
<b>20</b>	<b>40</b>	d + 12,5	d + 7,0	1,2	4,8	1,35 -0,10	0,4	0,35	0,20	0,15
<b>40</b>	<b>400</b>	d + 17,5	d + 10,5	1,4	7,1	1,80 -0,15	0,4	0,50	0,25	0,20
<b>400</b>		d + 22,0	d + 14,0	1,6	9,5	2,80 -0,20	0,4	0,60	0,30	0,25

\* Extrusion gap values shown above are valid for a temperature of 80 °C, higher temperatures require lower values.

## Ordering example

Profile  
d x D/ $D_1$  x L/ $L_1$  [mm]  
Sealing material / Spring

Rotary seal R19-F  
100 x 117,5/110,5 x 7,1/1,8  
SKF Ecoflon 4 / 1.4310

## Operating parameters

Material Seal	Spring	Temperature		Speed <sup>1)</sup>	Pressure <sup>2)</sup>
		from	to	max	max
		°C		m/s	bar (MPa)
■ SKF Ecoflon 1					
■ SKF Ecoflon 2	1.4310 <sup>3)</sup>	-200	+260	2	150 (15)
■ SKF Ecoflon 3	2.4711 <sup>4)</sup>				
■ SKF Ecoflon 4					

IMPORTANT NOTE: The stated operating conditions represent general indications. It is recommended not to use all maximum values simultaneously.

<sup>1)</sup> Surface speed limit values are valid only in the presence of a lubrication film.

<sup>2)</sup> Pressure ratings depend on the size of the extrusion gap.

<sup>3)</sup> Available for standard and x00 spring versions.

<sup>4)</sup> Available for x00 spring versions.