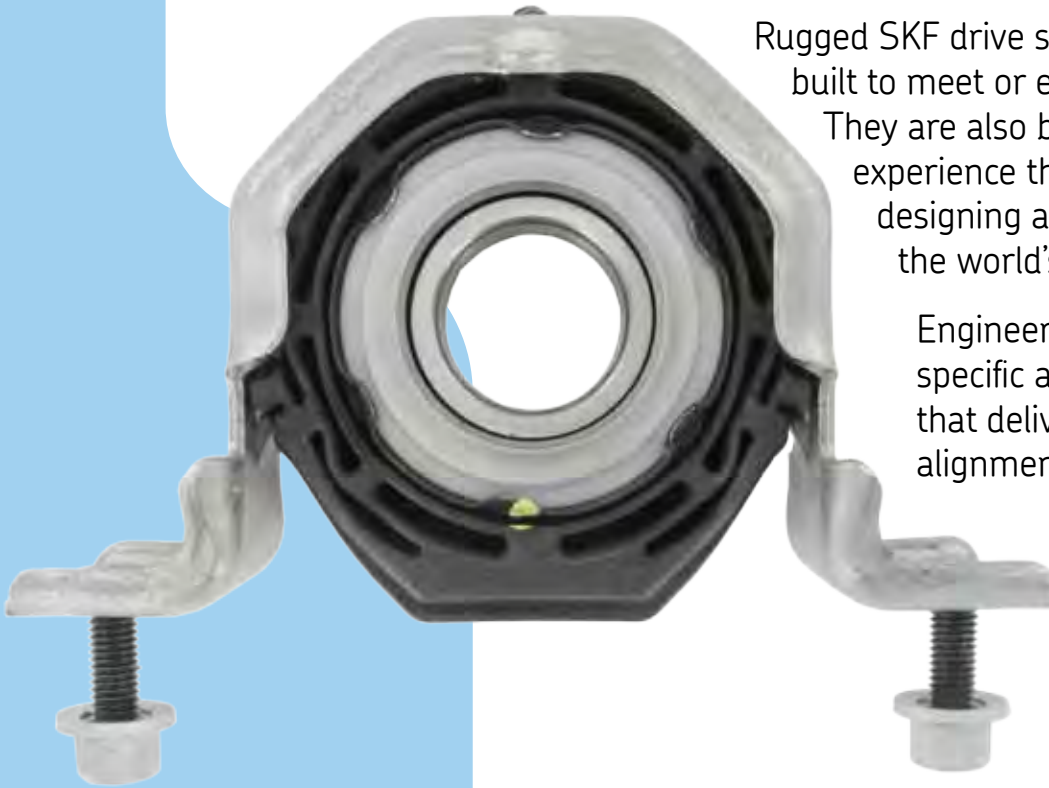


# SKF Drive Shaft Support Bearings



Rugged SKF drive shaft support bearings are built to meet or exceed OE specifications. They are also built on the years of experience that SKF has earned designing and supplying bearings to the world's largest OE manufacturers.

Engineered and manufactured to specific application requirements that deliver precise drive shaft alignment and support.

Center support bearings are pre-lubricated and sealed with metal reinforced seals to prevent contamination.

Rubber support cushions are manufactured from durable rubber compounds that provide maximum support while isolating the driveline shaft from damaging vibration.

Drive shaft support frames are constructed from high quality steel or aluminum that provides additional strength and long life in harsh environments.

Featuring over 90 SKU's, SKF drive shaft support bearings offer broad coverage for most popular passenger cars and trucks. For many applications, brackets and slingers are included where necessary.

® SKF is a registered trademark of the SKF Group.

© SKF Group 2011

The contents of this publication are the copyright of the publisher and may not be reproduced (even extracts) unless permission is granted. Every care has been taken to ensure the accuracy of the information contained in this publication but no liability can be accepted for any loss or damage whether direct, indirect or consequential arising out of the use of the information contained herein.












Publication 457376 • September 2011

Printed in U.S.A.



SKF part no.	Image	Application
HB20		1981-1987 <b>Isuzu</b> Light-duty trks.
HB21		1981-1982 <b>Chevrolet/GMC</b> Compact trks., vans & SUVs
HB106-FF		1986-1989 <b>Ford</b> Compact trks., vans & SUVs
HB108		Various HD trks.; Various Drive Lines
HB206-FF		1958-1964 <b>Chevrolet</b> RWD full-size cars; 1971-1972 <b>Chevrolet/GMC</b> 1 ton trks.; 1973-1998 3/4 ton trks.; 1964-1972 3/4 ton trks.; 1973-1996 1/2 ton trks.; 1964-1972 1/2 ton trks.; 2005-2006 <b>Ford</b> 3/4 ton trks.; 1990-1997 <b>Ford</b> Compact trks., vans & SUVs; 1966-1968 <b>IHC</b> Light trks.; 1994-1997 <b>Mazda</b> trks.
HB209-KF		1990-1997 <b>Ford</b> Compact trks., vans & SUVs; 1994-1997 <b>Mazda</b> trks.
HB1280-10		1974-1978 <b>Nissan</b> trks.
HB1280-20		1980-1986 <b>Nissan</b> trks.
HB1280-30		1990-1997 <b>Infiniti</b> RWD passenger cars; 1986-1988 <b>Nissan</b> FWD passenger cars; 1985-1994 RWD passenger cars; 1986-1989 trks.
HB1280-40		1986-1994 <b>Nissan</b> trks.
HB1280-50		1974-1978 <b>Nissan</b> trks.

SKF part no.	Image	Application
HB1280-60		1988-1995 <b>Isuzu</b> Trooper II, pickup 4WD
HB1280-70		1988-1995 <b>Isuzu</b> pickup 2WD
HB1350-10		1968-1977 <b>Toyota</b> trks. & SUVs
HB1380-10		1978-1983 <b>Toyota</b> trks. & SUVs
HB1380-20		1984-1985 <b>Toyota</b> trks. & SUVs
HB1380-30		1984-1988 <b>Toyota</b> trks. & SUVs
HB1380-40		1989-1995 <b>Toyota</b> trks. & SUVs
HB1380-50		1993-1998 <b>Toyota</b> trks. & SUVs
HB1380-60		1989-1995 <b>Toyota</b> trks. & SUVs
HB1380-70		1993-1998 <b>Toyota</b> trks. & SUVs
HB1380-80		1980-1984 <b>Toyota</b> RWD passenger cars

SKF part no.	Image	Application
HB1400-10		1987-1989 <b>Dodge</b> FWD Colt
HB1420-10		1980-1991 <b>Mazda</b> trks.
HB1500-40		1980-1983 <b>Toyota</b> RWD passenger cars
HB1500-60		1985-1988 <b>Toyota</b> RWD passenger cars
HB1550-10		1994-1997 <b>Honda</b> trks.; 1994-1997 <b>Isuzu</b> Light-duty trks.
HB1590-10		1994-1997 <b>Honda</b> trks.
HB1600-10		1996-2000 <b>Toyota</b> CUVs
HB1650-10		1994-2002 <b>Dodge</b> 1 ton trks.; 1998-2002 3/4 ton trks.; 1994-1997 3/4 ton trks.
HB1680-10		1985-1988 <b>Dodge</b> Compact pickups; 1983-1988 Light-duty trks.; 1979-1982 <b>Arrow</b> pickup
HB1680-20		1987-1989 <b>Dodge</b> Compact pickups
HB1700-10		1993-1998 <b>BMW</b> Passenger cars

SKF part no.	Image	Application
HB1710-10		1992-1998 <b>Lexus</b> RWD passenger cars
HB1720-10		1992-1999 <b>Lexus</b> RWD passenger cars
HB1750-10		1980-1981 <b>Nissan</b> RWD passenger cars
HB1820-10		2001-2004 <b>Lexus</b> CUVs; 2001-2004 <b>Toyota</b> CUVs
HB1850-10		2003-2004 <b>Toyota</b> Minivans
HB2020-10		2005-2006 <b>Toyota</b> trks. & SUVs
HB2380-20		1982-1985 <b>Toyota</b> RWD passenger cars
HB2380-40		1995-2004 <b>Toyota</b> trks. & SUVs
HB2390-10		1986 <b>Chevrolet/GMC</b> Medium-duty trks.
HB2390-30		1984-1987 <b>Isuzu</b> Medium-duty trks.
HB2780-10		1985-1988 <b>BMW</b> Passenger cars; 1969-1984 Passenger cars












SKF part no.	Image	Application
HB2780-20		1985-1988 <b>BMW</b> Passenger cars
HB2780-60		1996-1999 <b>BMW</b> Passenger cars
HB2780-80		1995-2000 <b>BMW</b> Passenger cars
HB2790-10		1995-2000 <b>BMW</b> Passenger cars
HB88107-A		1963-1977 <b>Checker</b> Passenger cars; 1997-2000 <b>Chevrolet/GMC</b> 1 ton trks.; 1979-1996 1 ton trks.; 1947-1978 1 ton trks.; 1979-1998 3/4 ton trks.; 1946-1978 3/4 ton trks.; 1985-1998 1/2 ton trks.; 1955-1984 1/2 ton trks.; 1964-1990 Full-size vans; 1955-1987 Medium-duty trks.; 1980-1999 <b>Ford</b> 1 1/2 Ton+ trks.; 1973-1977 1 1/2 Ton+ trks.; 2000-2002 1 ton trks.; 1955-1997 1 ton trks.; 1999-2001 3/4 ton trks.; 1997 3/4 ton trks.; 1955-1995 3/4 ton trks.; 1955-1996 1/2 ton trks.; 1980-1996 Full-size vans; 1969-1979 <b>IHC</b> Light trks.; 1956-1965 Light trks.; 1996-1999 <b>Oldsmobile</b> Bravada; 1991-1994 Bravada
HB88107-B		1956-1981 <b>Dodge</b> 1 1/2+ ton trks.; 1994-1999 1 ton trks.; 1956-1989 1 ton trks.; 1994-1997 3/4 ton trks.; 1959-1989 3/4 ton trks.; 1959-1999 1/2 ton trks.; 1964-1981 Full-size vans; 2000-2002 <b>Ford</b> 1 ton trks.; 1999-2001 3/4 ton trks.
HB88107-D		1985-1990 <b>Chevrolet/GMC</b> 1 ton trks.
HB88107-E		1982-1994 <b>Chevrolet/GMC</b> Compact trks., vans & SUVs
HB88505		2001-2006 <b>Chevrolet/GMC</b> 1 ton trks.; 1999-2010 3/4 ton trks.; 1999-2010 1/2 ton trks.; 1997-2004 Full-size vans
HB88506		2003-2004 <b>Dodge</b> 1/2 ton trks.
HB88508		1979-1980 <b>Chevrolet/GMC</b> Medium-duty trks.; 1947-1987 Medium-duty trks.; 1990-1999 <b>Ford</b> 1 1/2 Ton+ trks.; 1979 1 1/2 Ton+ trks.; 1973-1974 1 1/2 Ton+ trks.

SKF part no.	Image	Application
HB88508-A		1950-1987 <b>Chevrolet/GMC</b> Medium-duty trks.; 1973-1996 1 ton trks.; 1992-1998 1/2 ton trks.; 1992-1996 Full-size vans; 2001-2010 <b>Ford</b> 1 1/2 Ton+ trks.; 1994-1999 1 1/2 Ton+ trks.; 1990-1993 1 1/2 Ton+ trks.; 1983 1 1/2 Ton+ trks.; 1974-1977 1 1/2 Ton+ trks.; 1984-2007 1 ton trks.; 1999-2006 3/4 ton trks.; 1990-1997 3/4 ton trks.; 1984-1985 3/4 ton trks.; 2005-2010 Full-size vans; 2000 Full-size vans; 1996-1998 Full-size vans; 1975-1976 Full-size vans
HB88508-AA		1997-2002 <b>Chevrolet/GMC</b> 1 ton trks.; 1991-1996 Medium-duty trks.
HB88508-AB		1997-2002 <b>Chevrolet/GMC</b> 1 ton trks.; 1988-1991 1 ton trks.; 1988-1991 3/4 ton trks.; 1988-1994 Medium-duty trks.; 1989-1993 <b>Dodge</b> 1/2 ton trks.
HB88508-B		1979-1990 <b>Chevrolet/GMC</b> Medium-duty trks.
HB88508-C		Various HD trks.; Various Drive Lines
HB88508-D		Various HD trks.; Various Drive Lines
HB88508-E		Various HD trks.; Various Drive Lines
HB88508-F		2000-2002 <b>Ford</b> 1 ton trks.; 1999-2004 3/4 ton trks.
HB88508-G		1999-2000 <b>Ford</b> 1 1/2 Ton+ trks.; 2000-2002 1 ton trks.; 1999-2001 3/4 ton trks.; 1997-2004 Full-size vans
HB88509		1979-1980 <b>Chevrolet/GMC</b> Medium-duty trks.; 1950-1987 Medium-duty trks.; 1983 <b>Ford</b> 1 1/2 Ton+ trks.; 1955-1973 1 ton trks.
HB88509-A		1980-2000 <b>Ford</b> 1 1/2 Ton+ trks.



SKF part no.	Image	Application
HB88509-B		Various HD trks.; Various Drive Lines
HB88509-C		1991-1994 <b>Chevrolet/GMC</b> Medium-duty trks.
HB88510		1979-1980 <b>Chevrolet/GMC</b> Medium-duty trks.; 1990-2000 <b>Ford</b> 1 1/2 Ton+ trks.
HB88510-S		Various HD trks.; Various Drive Lines
HB88512-A		1988-1994 <b>Chevrolet/GMC</b> Medium-duty trks.; 1990-2000 <b>Ford</b> 1 1/2 Ton+ trks.
HB88512-AS		Various HD trks.; Various Drive Lines
HB88513		1990-1999 <b>Ford</b> 1 1/2 Ton+ trks.
HB88514		1996-2001 <b>Ford</b> 1/2 ton trks.
HB88515		1999-2010 <b>Chevrolet/GMC</b> 3/4 ton trks.; 1999-2010 1/2 ton trks.; 1999 <b>Ford</b> 3/4 ton trks.; 1997-2001 1/2 ton trks.
HB88517		2000-2006 <b>Lincoln</b> LS
HB88518		2004-2005 <b>Ford</b> 1 1/2 Ton+ trks.; 2004-2005 1 ton trks.; 2007-2010 3/4 ton trks.; 2004-2005 3/4 ton trks.

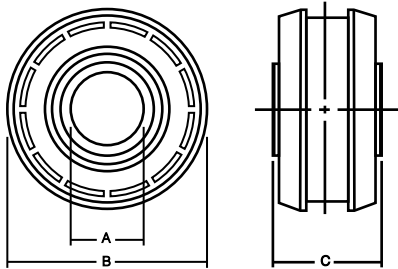


SKF part no.	Image	Application
HB88520		2001-2002 <b>Chevrolet/GMC</b> 1 ton trks.; 1992-1996 1 ton trks.; 1987-1990 1 ton trks.; 1992-1995 3/4 ton trks.; 1987-1990 3/4 ton trks.; 1987-1995 1/2 ton trks.; 1991-1994 Compact trks., vans & SUVs; 1985-1990 Full-size vans
HB88523		2007-2010 <b>Ford</b> F Series over GVW 8500
HB88525		2008-2011 <b>Ford</b> 1 ton trks.; 2007-2011 3/4 ton trks.;
HB88526		2007-2010 <b>Ford</b> F Series over GVW 8500
HB88527		2007-2010 <b>Ford</b> 3/4 ton trks.
HB88528		2007-2010 <b>Ford</b> F350 Series 156, 158 Whl Base
HB88529		2008-2011 <b>Ford</b> 1 ton trks.; 2011 3/4 ton trks.; 1995-2003 Compact trks., vans & SUVs
HB88530		1995-2003 <b>Chevrolet/GMC</b> Compact trks., vans & SUVs; 2003-2005 <b>Dodge</b> 1 ton trks.; 2003-2005 3/4 ton trks.; 1994-2010 1/2 ton trks.
HB88532		2001-2002 <b>Chevrolet/GMC</b> 1 ton trks.; 1992-1996 1 ton trks.; 1987-1990 1 ton trks.; 1999-2010 3/4 ton trks.; 1992-1995 3/4 ton trks.; 1987-1990 3/4 ton trks.; 1999-2010 1/2 ton trks.; 1987-1995 1/2 ton trks.; 1991-1994 Compact trks., vans & SUVs; 1985-1990 Full-size vans
HB88536		2003-2005 <b>Dodge</b> 1 ton trks.; 2003-2005 3/4 ton trks.
HB88540		2007-2009 <b>Chevrolet/GMC</b> 1 ton trks.; 1999-2010 3/4 ton trks.; 1999-2010 1/2 ton trks.

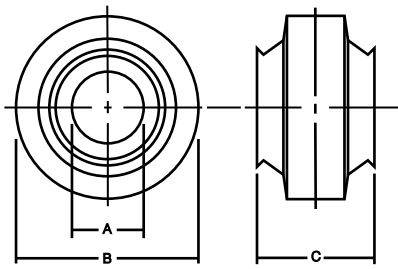
SKF part no.	Image	Application
HB88547		2006-2010 <b>Dodge</b> 1 ton trks.; 2006-2010 3/4 ton trks.
HB88549		2011 <b>Ford</b> 1 ton trks.; 2011 3/4 ton trks.
HB88550		2008 <b>Ford</b> 1 ton trks.; 2007-2011 3/4 ton trks.
HB88551		2008-2011 <b>Ford</b> 1 ton trks.; 2011 3/4 ton trks.
HB88552		2008-2010 <b>Ford</b> 1 ton trks.; 2007-2010 3/4 ton trks.
HB88553		2011 <b>Ford</b> 1 ton trks.; 2011 3/4 ton trks.
HB88555		2002-2007 <b>Saturn</b> CUVs
HB88555-UJ		2002-2007 <b>Saturn</b> CUVs
Non serviceable drive shafts	N/A	2002-2011 <b>Ford</b> F150 Series w/147" wheel base or larger have non-servicable drive shafts, welding is required.

**Note:** For complete application information visit our on-line catalog.

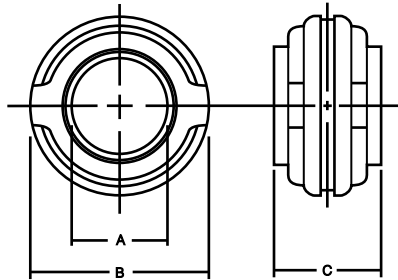
# Drive shaft support bearings—Types



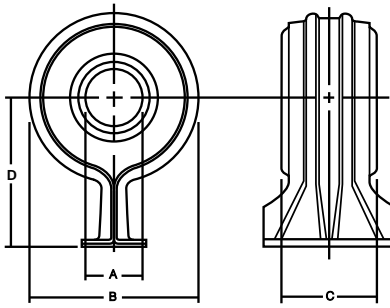
Type 1



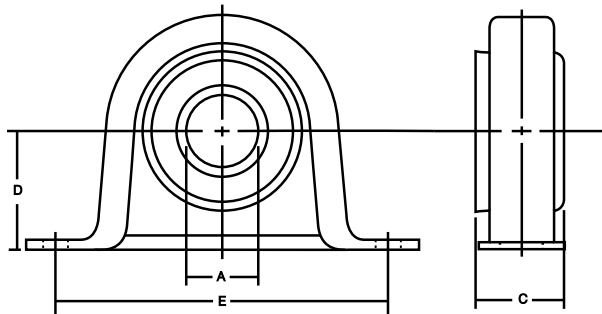
Type 2



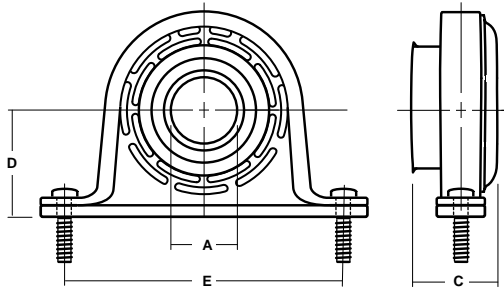
Type 3



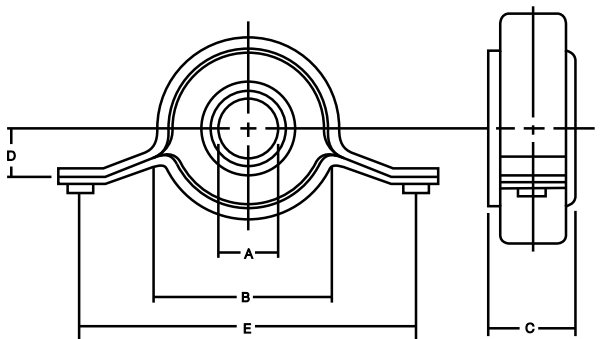
Type 4



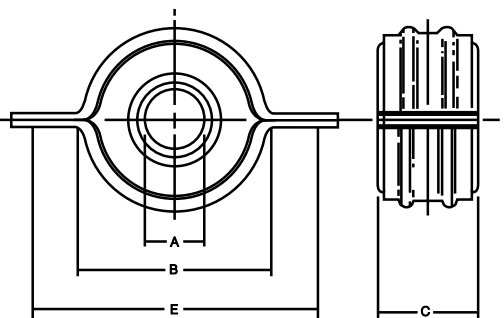
Type 5



Type 6

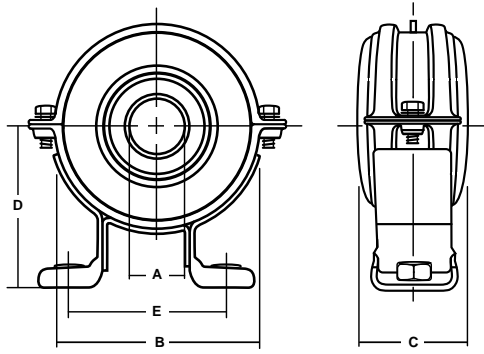


Type 7

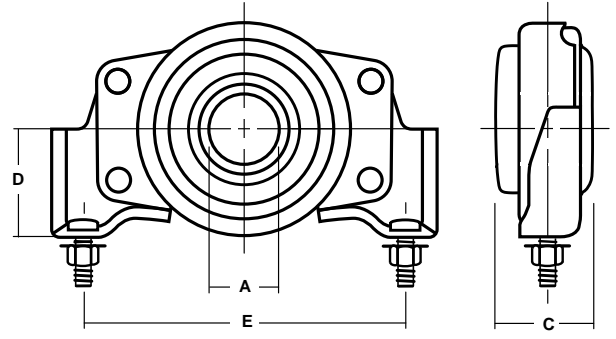


Type 8

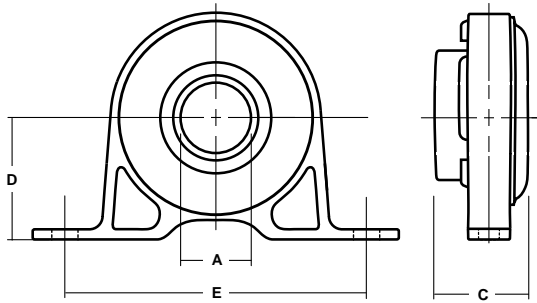
# Drive shaft support bearings—Types



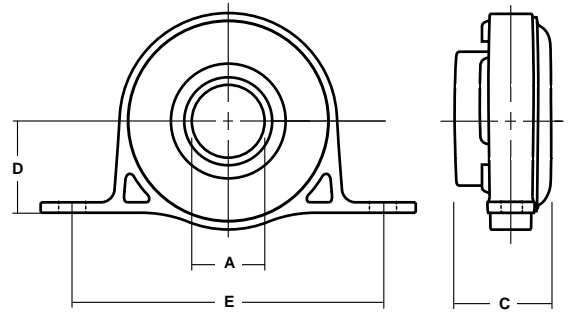
Type 9



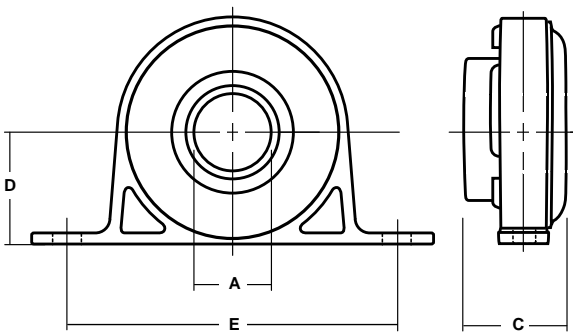
Type 10



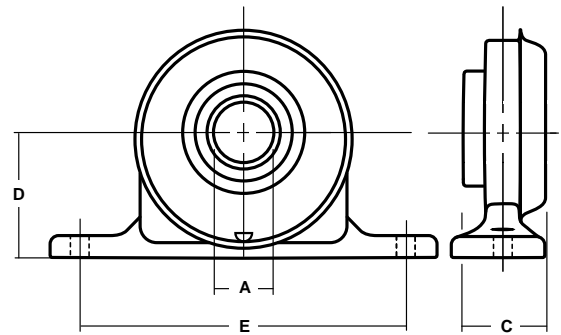
Type 11



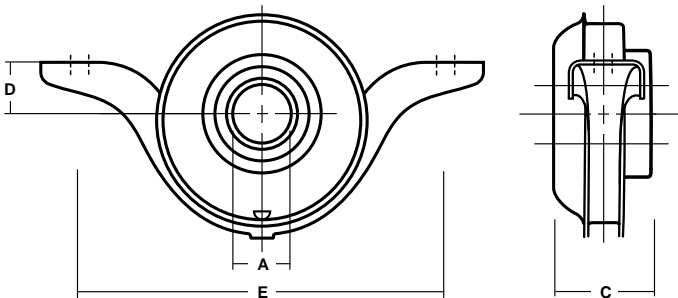
Type 12



Type 13



Type 14



Type 15

# Drive shaft support bearings—Numerical listing

Support no.	I.D. A	O.D. B	Width C	Center line height D	Bolt hole center E	Type	Slinger (Small)	Qty.	Slinger (Large)	Qty.	Accessory	Qty.
HB20	0.984	2.144	1.604	N/A	N/A	3	-	-	-	-	-	-
HB21	0.984	1.614	1.575	N/A	N/A	3	-	-	-	-	-	-
HB106-FF	1.260	6.910	0.945	1.910	5.913	5	-	-	231696	1	-	-
HB108	1.575	2.940	1.238	N/A	N/A	3	-	-	-	-	-	-
HB206-FF	1.181	3.852	0.630	3.500	6.780	4	-	-	-	-	-	-
HB209-KF	1.181	4.731	1.270	1.910	5.907	5	-	-	231696	1	-	-
HB1280-10	1.181	4.724	2.441	N/A	N/A	2	-	-	-	-	-	-
HB1280-20	1.181	4.713	1.929	N/A	N/A	2	-	-	-	-	-	-
HB1280-30	1.181	4.316	2.135	N/A	N/A	2	-	-	-	-	-	-
HB1280-40	1.220	4.764	2.142	N/A	N/A	2	-	-	-	-	-	-
HB1280-50	1.181	4.724	2.441	N/A	N/A	2	-	-	-	-	-	-
HB1280-60	1.175	4.500	2.000	3.250	3.700	9	-	-	-	-	-	-
HB1280-70	1.125	4.500	1.950	4.250	3.700	9	-	-	-	-	-	-
HB1350-10	1.181	5.520	2.719	2.125	3.150	9	-	-	-	-	-	-
HB1380-10	1.181	4.567	2.336	0.250	5.602	8	-	-	-	-	-	-
HB1380-20	1.181	4.409	2.323	2.618	9.055	7	-	-	-	-	-	-
HB1380-30	1.220	4.267	2.336	0.250	5.945	8	-	-	-	-	-	-
HB1380-40	1.181	6.935	2.215	0.250	5.866	8	-	-	-	-	-	-
HB1380-50	1.181	6.875	2.150	0.250	5.910	8	-	-	-	-	-	-
HB1380-60	1.181	4.289	2.336	2.118	5.906	8	-	-	-	-	-	-
HB1380-70	1.181	6.875	2.150	0.250	5.900	8	-	-	-	-	-	-
HB1380-80	1.181	7.345	2.286	2.108	6.220	8	-	-	-	-	-	-
HB1400-10	1.181	4.645	1.940	2.677	7.047	7	-	-	-	-	-	-
HB1420-10	1.000	4.520	2.550	0.492	7.441	8	-	-	-	-	-	-
HB1500-40	1.181	4.210	2.330	2.091	6.450	8	-	-	-	-	-	-
HB1500-60	1.181	4.230	2.330	2.091	2.750	9	-	-	-	-	-	-
HB1550-10	1.181	5.625	2.250	3.230	3.750	9	-	-	-	-	-	-
HB1590-10	1.181	5.625	2.250	3.582	3.750	9	-	-	-	-	-	-
HB1600-10	1.181	9.342	2.465	2.500	8.875	7	-	-	-	-	-	-
HB1650-10	1.438	5.000	1.750	3.125	3.750	5	-	-	-	-	-	-
HB1680-10	1.181	4.634	2.047	2.323	7.572	8	-	-	-	-	-	-
HB1680-20	1.181	4.634	2.047	0.125	6.300	8	-	-	-	-	-	-
HB1700-10	1.181	3.901	1.986	1.969	6.299	7	-	-	-	-	-	-
HB1710-10	1.181	4.000	1.732	2.362	6.303	7	-	-	-	-	-	-
HB1720-10	1.181	4.000	1.732	2.362	6.303	13	-	-	-	-	-	-
HB1750-10	1.181	4.347	2.447	N/A	N/A	1	-	-	-	-	-	-
HB1820-10	1.182	4.201	2.412	1.952	6.934	7	-	-	-	-	-	-

(Continued)

# Drive shaft support bearings—Numerical listing

Support no.	I.D. A	O.D. B	Width C	Center line height D	Bolt hole center E	Type	Slinger (Small)	Qty.	Slinger (Large)	Qty.	Accessory	Qty.
HB1850-10	1.197	4.153	2.396	1.774	6.850	7	-	-	-	-	-	-
HB2020-10	1.181	4.297	2.344	0.375	5.803	8					-	-
HB2380-20	1.181	4.213	2.283	1.974	5.938	8	-	-	-	-	-	-
HB2380-40	1.181	4.286	2.309	2.118	5.774	7	-	-	-	-	-	-
HB2390-10	1.575	4.961	3.040	2.370	N/A	5	-	-	-	-	-	-
HB2390-30	1.772	5.275	2.868	2.560	6.088	5	-	-	-	-	-	-
HB2780-10	1.181	3.970	1.548	2.055	5.213	14	-	-	-	-	-	-
HB2780-20	1.181	3.820	2.145	2.500	5.500	14	-	-	-	-	-	-
HB2780-60	1.181	3.898	1.142	2.019	6.259	14	-	-	-	-	-	-
HB2780-80	1.380	4.000	1.750	1.848	6.630	14	-	-	-	-	-	-
HB2790-10	1.181	4.000	1.720	1.935	6.630	14	-	-	-	-	-	-
HB88107-A	1.378	4.087	0.984	2.250	6.625	5	-	-	-	-	R107	1
HB88107-B	1.378	4.087	0.984	2.250	6.625	5	230121	1	230118	1	-	-
HB88107-D	1.378	4.087	0.984	2.250	6.625	5	-	-	230141	1	-	-
HB88107-D									98-1473	2	-	-
HB88107-E	1.378	4.087	0.984	2.250	6.625	5	230104	1	230141	1	-	-
HB88107-E							98-1473	1			-	-
HB88505	1.575	4.819	1.850	2.416	6.616	5	-	-	-	-	-	-
HB88506	1.575	4.819	1.850	2.416	6.616	5	-	-	-	-	-	-
HB88508	1.575	5.066	1.063	2.166	6.625	5	-	-	-	-	-	-
HB88508-A	1.575	4.909	1.968	2.250	6.625	5	-	-	-	-	-	-
HB88508-AA	1.575	4.909	1.968	2.250	6.625	5	-	-	231004	2	-	-
HB88508-AB	1.575	4.909	1.968	2.244	6.625	5	231000	1	231004	1	-	-
HB88508-B	1.575	5.948	2.250	2.500	6.625	5	230209	1	230124	1	-	-
HB88508-C	1.575	5.948	2.250	2.500	6.625	5	230208	1	230207	1	-	-
HB88508-D	1.575	5.948	2.250	2.500	6.625	5	-	-	230207	2	-	-
HB88508-E	1.575	5.948	2.250	2.500	6.625	5	-	-	230124	2	-	-
HB88508-F	1.575	5.948	2.104	2.500	6.625	5	-	-	231005	1	-	-
HB88508-G	1.575	5.948	2.104	2.500	6.625	5	230215	1	231005	1	-	-
HB88509	1.772	6.717	2.300	2.690	7.625	5	-	-	-	-	-	-
HB88509-A	1.772	6.717	2.300	2.690	7.625	5	-	-	230151	2	-	-
HB88509-B	1.772	6.717	2.300	2.690	7.625	5	-	-	-	-	-	-
HB88509-C	1.772	6.717	2.300	2.690	7.625	5	230363	1	230151	1	-	-
HB88510	1.969	7.138	2.331	2.780	7.625	5	-	-	230166	2	-	-
HB88510-S	1.969	7.138	2.331	2.780	7.625	5	-	-	230166	2	-	-
HB88512-A	2.362	8.590	2.673	3.375	8.625	5	-	-	230746	2	-	-
HB88512-AS	2.362	8.590	2.673	3.375	8.625	5	-	-	230746	2	-	-

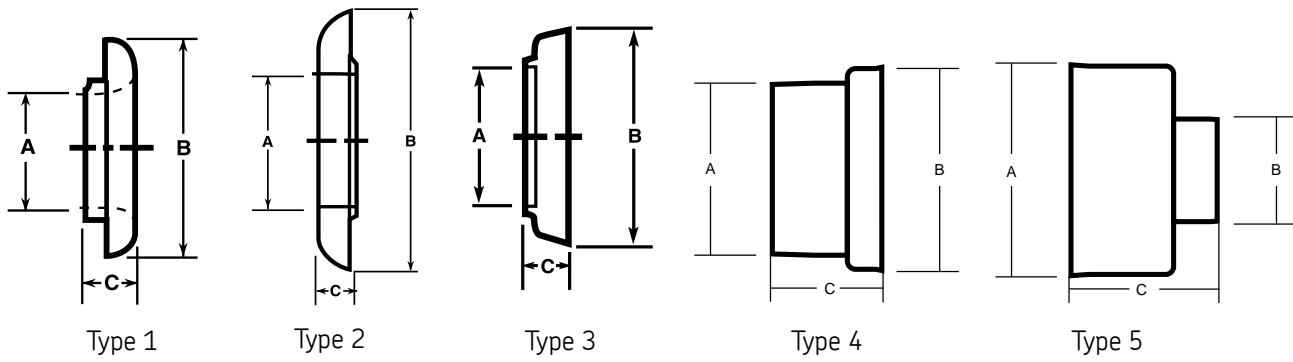
(Continued)

# Drive shaft support bearings—Numerical listing

Support no.	I.D. A	O.D. B	Width C	Center line height D	Bolt hole center E	Type	Slinger (Small)	Qty.	Slinger (Large)	Qty.	Accessory	Qty.
HB88513	2.756	8.101	2.673	3.375	6.625	5	-		-	-	-	-
HB88514	1.575	4.687	1.850	2.344	6.616	5	230211	1	231005	1	-	-
HB88515	1.575	4.687	1.850	2.579	6.616	6	230211	1	231005	1	-	-
HB88517	1.181	4.337	2.518	1.869	6.762	14	230000	1	-	-	-	-
HB88518	1.575	4.808	1.850	2.765	6.685	5	231000	1	231286	1	-	-
HB88520	1.575	4.430	2.134	2.113	6.664	10	-	-	-	-	R108	1
HB88523	1.575	4.980	1.890	2.307	6.896	5	-	-	231286	1	-	-
HB88525	1.575	4.980	1.890	2.307	6.896	11	-	-	232817	1	-	-
HB88526	1.575	4.980	1.890	2.250	6.625	5	231000	1	231005	1	-	-
HB88527	1.575	4.980	2.163	1.787	6.896	12	-	-	-	-	-	-
HB88528	1.378	4.980	1.941	2.279	6.683	5	231256	1	231005	1	-	-
HB88529	1.575	4.980	2.163	1.445	6.896	12	231000	1	-	-	-	-
HB88530	1.378	5.000	1.900	2.239	6.616	5	-	-	-	-	-	-
HB88532	1.378	4.299	1.889	2.239	6.614	10	-	-	-	-	R108	1
HB88536	1.575	5.000	1.413	2.239	6.616	5	-	-	-	-	-	-
HB88540	1.575	7.756	1.850	2.244	6.622	6	-	-	-	-	-	-
HB88547	1.575	4.864	3.100	2.556	6.748	14	-	-	231002	1	-	-
HB88549	1.575	4.980	2.163	1.678	6.896	12	-	-	232817	1	-	-
HB88550	1.575	4.980	2.163	2.556	6.896	13	231000	1	-	-	-	-
HB88551	1.575	4.980	1.890	2.307	6.896	11	231000	1	-	-	-	-
HB88552	1.575	4.980	2.163	2.556	6.896	11	-	-	232817	1	-	-
HB88553	1.575	4.980	2.163	2.611	6.896	11	-	-	232817	1	-	-
HB88555	1.181	4.980	2.163	1.061	7.480	15	-	-	-	-	-	-
HB88555-UJ	1.181	4.980	2.163	1.061	7.480	15	-	-	-	-	1-0439	1



# Drive shaft support bearings—Slinger numerical listing

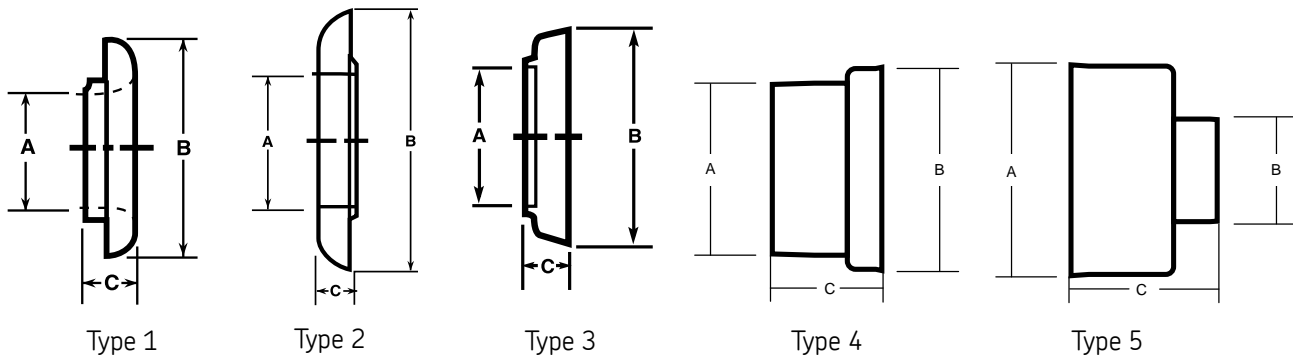


Slinger no.	Bearing used with	A Bore	B O.D.	C Width	Type
230000	HB88517	1.1174	1.9470	0.4870	1
230104	HB88107-E	1.3740	2.5620	0.7500	1
230118	HB88107-B	2.0570	4.0000	0.5620	2
230121	HB88107-B	1.3740	2.4370	0.6250	1
230124	HB88508-B HB88508-E	2.3060	4.3750	0.5620	2
230141	HB88107-D HB88107-E	1.7570	4.0000	0.8280	2
230151	HB88509-A HB88509-C	2.5560	4.5620	0.5620	2
230166	HB88510 HB88510-S	2.8070	4.8120	0.5620	2
230207	HB88508-C HB88508-D	2.5250	4.3750	0.8750	2
230208	HB88508-C	1.5690	2.8750	0.9380	1
230209	HB88508-B	1.5690	2.6250	0.5940	1
230211	HB88514 HB88515	1.3750	2.3950	0.6090	1
230214	HB88506	1.5750	2.9130	1.6000	1
230215	HB88508-G	1.5700	2.2200	0.7050	1
230363	HB88509-C	1.7650	2.8750	0.5940	1
230746	HB88512-A HB88512-AS	3.3120	5.5620	0.5780	2
231000	HB88508-AB HB88526 HB88529 HJB88550 HB88551	1.5690	2.4370	0.6410	1

(Continued)

Note: Slings are available only with drive shaft support bearing, not sold separately.

# Drive shaft support bearings—Slinger numerical listing



Slinger no.	Bearing used with	A Bore	B O.D.	C Width	Type
231002	HB88547	1.5690	2.1925	1.2210	4
231004	HB88508-AA HB88508-AB	2.1490	4.0000	0.5620	2
231005	HB88508-F HB88508-G HB88515 HB88523 HB88526 HB88528	2.0530	3.7010	0.3070	1
231256	HB88528	1.3750	2.1200	0.4700	6
231286	HB88518 HB88523	2.0550	3.7000	0.2990	3
231696	HB106-FF HB209-KF	1.6930	3.0100	0.4724	1
232817	HB88525 HB88549 HB88552 HB88553	1.5690	2.3305	1.5925	5
98-1473	HB88107-D HB88107-E	1.7470	2.5000	0.5000	3
R107	HB88107-A	1.3730	1.6300	0.3120	Ring
R108	HB88520 HB88532	1.3730	1.6300	0.3120	Ring

Note: Slings are available only with drive shaft support bearing, not sold separately.