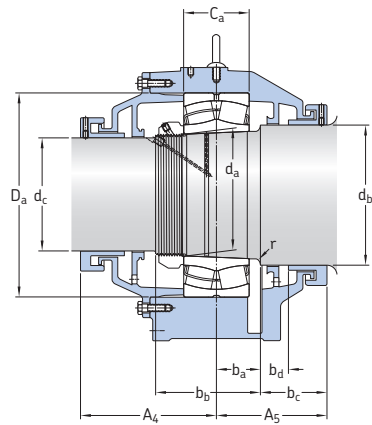
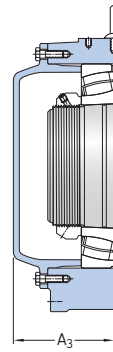


### 13.3 SBPN drying cylinder housings, with inch connection threads

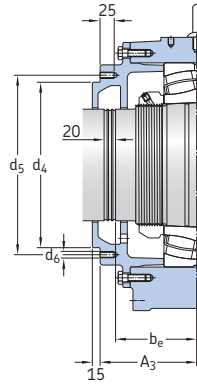
$d_2$  180 – 320 mm  
7.087 – 12.598 in.



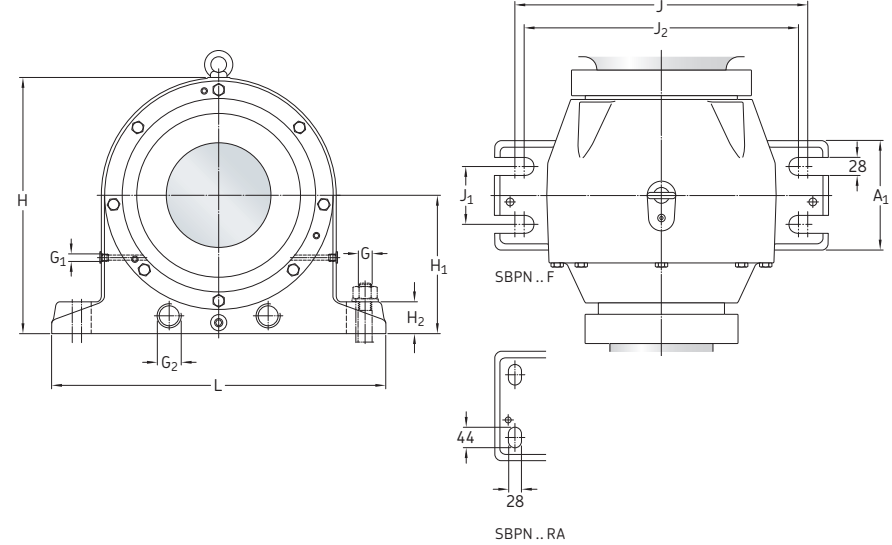
Housing for through shaft  
(designation suffix B)



Housing for shaft end  
(designation suffix A)



Housing for steam joint  
connection  
(designation suffix B42)



SBPN..RA

Shaft diameter $d_a$	Housing Designation	Appropriate parts Bearing <sup>1)</sup>	Lock nut	Locking clip	Dimensions Housing												
					$A_1$	$A_3$	$A_4$	$A_5$	$C_a$	$D_a$	H	$H_1$	$H_2$	J	$J_1$	$J_2$	L
mm/in.	-	-			mm												
180 7.087	SBPN 3136 FN9 SBPN 3136 RAN9	23136 CCK/W33 C 3136 K	N 036	W 036	170	155	230	195	96	300	400	220	50	440	90	424	520
200 7.874	SBPN 3140 FN9 SBPN 3140 RAN9	23140 CCK/W33 C 3140 K	N 040	W 040	200	165	240	200	112	340	440	240	55	485	115	469	570
220 8.661	SBPN 3144 FN9 SBPN 3144 RAN9	23144 CCK/W33 C 3144 K	N 044	W 044	235	175	255	200	120	370	490	265	60	550	135	534	640
240 9.449	SBPN 3148 FN9 SBPN 3148 RAN9	23148 CCK/W33 C 3148 K	N 048	PL 48	250	190	265	215	128	400	535	285	65	580	150	564	680
260 10.236	SBPN 3152 FN9 SBPN 3152 RAN9	23152 CCK/W33 C 3152 K	N 052	PL 52	265	200	280	225	144	440	570	310	75	620	160	604	720
300 11.811	SBPN 3160 FN9 SBPN 3160 RAN9	23160 CCK/W33 C 3160 K	N 060	PL 60	300	215	290	235	160	500	630	335	85	720	180	704	820
320 12.598	SBPN 3164 FN9 SBPN 3164 RAN9	23164 CCK/W33 C 3164 K	N 064	PL 64	320	225	300	255	176	540	680	360	85	760	200	744	880

Shaft diameter $d_a$	Dimensions Housing		Shaft						Threads/ inch	$d_4$	$d_5$	$d_6$	r	Mass Housing				
	G	$G_1$	$G_2$	$b_a$	$b_b$	$b_c$ min.	$b_d$	$b_e$						$d_b$	$d_c$	$d_d$	A	B
mm/in.	-			mm														
180 7.087	1UNC	NPTF 1/2	NPTF 1.1/4	65	150	130	55	128	200	160	7.063	8	225	250	M12	5	118	115
200 7.874	1UNC	NPTF 1/2	NPTF 1.1/4	75	170	125	50	138	230	180	7.844	8	265	290	M12	8	133	147
220 8.661	1UNC	NPTF 1/2	NPTF 1.1/4	75	190	125	50	148	250	200	8.625	8	305	330	M12	8	189	205
240 9.449	1UNC	NPTF 1/2	NPTF 1.1/4	85	205	130	55	163	275	220	9.439	6	335	360	M12	8	244	256
260 10.236	1UNC	NPTF 1/2	NPTF 1.1/2	95	225	130	55	173	300	240	10.189	6	355	380	M12	8	259	273
300 11.811	1UNC	NPTF 1/2	NPTF 1.1/2	105	250	130	55	188	340	280	11.781	6	435	460	M12	8	342	358
320 12.598	1UNC	NPTF 1/2	NPTF 1.1/2	115	270	140	65	198	360	300	12.559	6	455	480	M12	8	445	465

<sup>1)</sup> 231(00) – spherical roller bearing, C... – CARB toroidal roller bearing. Only typical bearings are listed. Other bearing variants can also fit the housing.