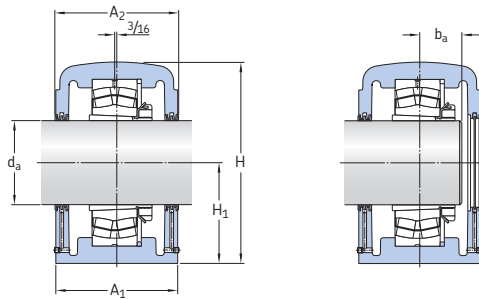


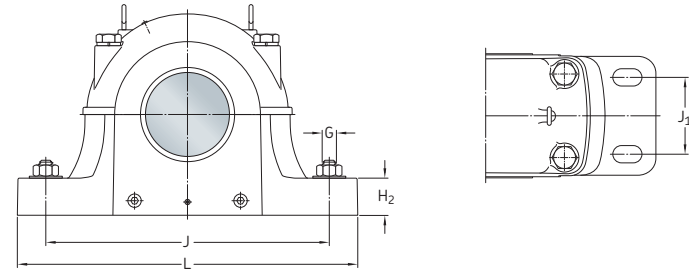
9.1 SDAF pillow blocks with spherical roller bearings on an adapter sleeve

Series SDAF 225(00), 226(00)

d_a 2 15/16 – 7 15/16 in.



Units of measurement
In this chapter only imperial units are used. To convert imperial units to metric units, refer to the conversion table on page 10.



Shaft diameter	Complete pillow block		Components		Adapter assembly	Stabilizing ring ³⁾ (1 incl.)	Labyrinth ring (2 incl.)	Mass
	Standard	Optional ¹⁾	Pillow block	Bearing ²⁾				
d_a								
in.	-		-					lb.
2 15/16	2 13/16, 2 7/8, 3	SDAF 22617	SDAF 617	22317 EK	SNW 117	SR 20-17	LER 59	84
3 7/16	3 5/16, 3 3/8, 3 1/2	SDAF 22520 SDAF 22620	SDAF 520 SDAF 620	22220 EK 22320 EK	SNW 20 SNW 120	SR 20-17 SR 24-20	LER 75 LER 75	96 164
3 15/16	3 13/16, 3 7/8, 4	SDAFS 22522 ⁴⁾ SDAF 22622	SDAFS 522 SDAF 622	22222 EK 22322 EK	SNW 22 SNW 122	SR 22-19 SR 0-22	LER 93 LER 93	105 178
4 3/16	4 1/16, 4 1/8, 4 1/4	SDAF 22524 SDAF 22624	SDAF 524 SDAF 624	22224 EK 22324 CCK/W33	SNW 24 SNW 124	SR 24-20 SR 0-24	LOR 113 LOR 113	125 272
4 7/16	4 5/16, 4 3/8, 4 1/2	SDAF 22526 SDAF 22626	SDAF 526 SDAF 626	22226 EK 22326 CCK/W33	SNW 26 SNW 126	SR 26-0 SR 0-26	LOR 117 LOR 117	199 340
4 15/16	4 13/16, 4 7/8, 5	SDAFS 22528 ⁴⁾	SDAFS 528	22228 CCK/W33	SNW 28	SR 28-0	LOR 122	229
5 3/16	5 1/8, 5 1/4	SDAF 22530	SDAF 530	22230 CCK/W33	SNW 30	SR 30-0	LOR 125	250
5 7/16	5 3/8, 5 1/2	SDAF 22532 SDAF 22632	SDAF 532 SDAF 632	22232 CCK/W33 22332 CCK/W33	SNW 32 SNW 132	SR 32-0 SR 38-32	LOR 130 LER 211	330 455
5 15/16	5 13/16, 5 7/8, 6	SDAF 22634	SDAF 634	22334 CCK/W33	SNW 134	SR 40-34	LER 215	530
6 7/16	6 5/16, 6 3/8, 6 1/2	SDAF 22536	SDAF 536	22236 CCK/W33	SNW 36	SR 36-30	LOR 148	403
6 7/16	6 5/16, 6 3/8, 6 1/2	SDAF 22636	SDAF 636	22336 CCK/W33	SNW 136	SR 0-36	LER 220	630
6 15/16	6 13/16, 6 7/8, 7	SDAF 22538 SDAF 22638	SDAF 538 SDAF 638	22238 CCK/W33 22338 CCK/W33	SNW 38 SNW 138	SR 38-32 SR 44-38	LER 224 LER 224	454 792
7 3/16	7 1/8, 7 1/4	SDAF 22540	SDAF 540	22240 CCK/W33	SNW 40	SR 40-34	LER 228	544
7 15/16	7 13/16, 7 7/8, 8	SDAF 22544	SDAF 544	22244 CCK/W33	SNW 44	SR 44-38	LER 236	795

¹⁾ Optional shaft diameters require different adapter sleeve and seals.

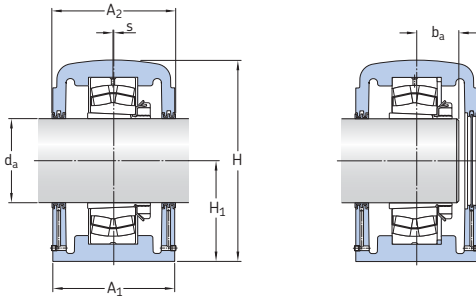
²⁾ Optional internal radial clearance (e.g. C3) available on request.

³⁾ For a free unit, discard the enclosed stabilizing ring.

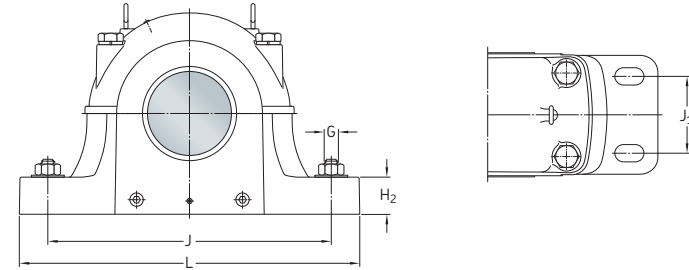
⁴⁾ Available only in steel.

Complete pillow block	Dimensions											
	Designation	A ₁	A ₂	b _a	H	H ₁	H ₂	J _{min}	J _{max}	J ₁	L	G
-	in.											
SDAF 22617	6	6 3/4	2 1/16	8 15/16	4 1/2	1 7/8	1 7/8	11 5/8	13 3/8	3 3/8	15 1/4	3/4
SDAF 22520 SDAF 22620	6 6 7/8	6 3/4 7 3/8	1 59/64 2 7/16	8 15/16 10 1/2	4 1/2 5 1/4	1 7/8 2 1/4	1 7/8 2 1/4	11 5/8 13 1/4	13 3/8 14 1/2	3 3/8 4 1/8	15 1/4 16 1/2	3/4 7/8
SDAFS 22522 SDAF 22622	6 3/4 7 1/2	7 1/4 8	2 1/8 2 5/8	9 7/8 11 7/8	4 15/16 6	2 1/8 2 3/8	2 1/8 2 3/8	12 5/8 14 5/8	14 1/2 16	4 4 1/2	16 1/2 18 3/8	7/8 1
SDAF 22524 SDAF 22624	6 7/8 7 7/8	7 3/8 8 3/8	2 9/32 2 13/16	10 1/2 12 9/16	5 1/4 6 5/16	2 1/4 2 1/2	2 1/4 2 1/2	13 1/4 17	14 1/2 18 1/4	4 1/8 4 3/4	16 1/2 21 1/4	7/8 1 1/8
SDAF 22526 SDAF 22626	7 1/2 8 1/4	8 8 3/4	2 15/32 3	11 7/8 13 7/16	6 6 11/16	2 3/8 2 1/2	2 3/8 2 1/2	14 5/8 17 3/8	16 19 1/4	4 1/2 5	18 3/8 22	1 1 1/8
SDAFS 22528	7 1/2	7 13/16	-	12 1/16	6	2 3/8	2 3/8	16	17 1/8	4 1/2	20 1/8	1 1/8
SDAF 22530	7 7/8	8 3/8	2 49/64	12 9/16	6 5/16	2 1/2	2 1/2	17	18 1/4	4 3/4	21 1/4	1 1/8
SDAF 22532 SDAF 22632	8 1/4 10	8 3/4 10 5/8	2 31/32 3 5/8	13 7/16 16	6 11/16 7 7/8	2 1/2 3	2 1/2 3	17 3/8 21 1/2	19 1/4 23 1/2	5 6 1/4	22 27 5/8	1 1/8 1 3/8
SDAF 22634	10 1/2	11 1/8	3 3/4	16 7/8	8 1/4	3 1/4	3 1/4	23	25	6 3/4	28 3/4	1 3/8
SDAF 22536	9 3/8	10	3 9/64	15 3/16	7 1/2	2 3/4	2 3/4	20 7/8	23 5/8	5 7/8	26 3/4	1 1/4
SDAF 22636	10 3/4	11 3/8	3 15/16	17 15/16	8 7/8	3 1/4	3 1/4	24 5/8	26 5/8	6 7/8	30 1/2	1 1/2
SDAF 22538 SDAF 22638	10 11 1/4	10 5/8 11 7/8	3 19/64 4 1/16	16 19	7 7/8 9 1/2	3 3 1/2	3 1/2	21 1/2 25 5/8	23 1/2 27 7/8	6 1/4 7 1/4	27 5/8 32	1 3/8 1 1/2
SDAF 22540	10 1/2	11 1/8	3 1/2	16 7/8	8 1/4	3 1/4	3 1/4	23	25	6 3/4	28 3/4	1 3/8
SDAF 22544	11 1/4	11 7/8	3 5/8	19	9 1/2	3 1/2	3 1/2	25 5/8	27 7/8	7 1/4	32	1 1/2

9.3 Extended range pillow blocks with spherical roller bearings on an adapter sleeve Series SDAF 230(00) KA, 231(00) KA, 232(00) KA d_a 8 15/16 – 14 15/16 in.



Units of measurement
In this chapter only imperial units are used. To convert imperial units to metric units, refer to the conversion table on page 10.

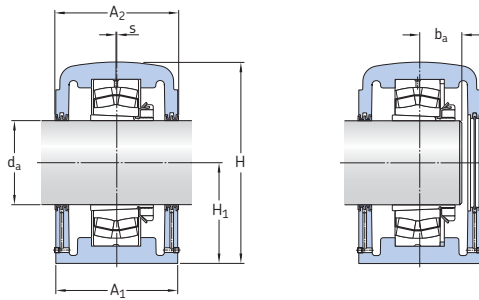


Shaft diameter Stand- ard d _a	Op- tional ¹⁾	Complete pillow block	Components					Laby- rinth ring (2 incl.)
			Pillow block housing	Bearing ²⁾	Adapter assembly	Stabilizing ring ³⁾ (2 req'd)		
in	-	-	-	-	-	-	-	-
8 15/16	9	SDAF 23248 KA x 8 15/16	SDAF 3248 KA x 8 15/16	23248 CACK/W33	SNP 148 x 8 15/16	36053-114	ERF 914	
9 7/16	9 1/2	SDAF 23152 KA x 9 7/16	SDAF 3152 KA x 9 7/16	23152 CACK/W33	SNP 3152 x 9 7/16	36053-114	ERF 891	
		SDAF 23252 KA x 9 7/16	SDAF 3252 KA x 9 7/16	23252 CACK/W33	SNP 152 x 9 7/16	A 8968	ERF 891	
10 7/16	10 1/2	SDAF 23156 KA x 10 7/16	SDAF 3156 KA x 10 7/16	23156 CACK/W33	SNP 3156 x 10 7/16	A 8967	ERF 973	
		SDAF 23256 KA x 10 7/16	SDAF 3256 KA x 10 7/16	23256 CACK/W33	SNP 3256 x 10 7/16	36053-157	ERF 973	
10 15/16	11	SDAF 23060 KA x 10 15/16	SDAF 3060 KA x 10 15/16	23060 CACK/W33	SNP 3060 x 10 15/16	A 8967 ⁴⁾	ERF 858	
		SDAF 23160 KA x 10 15/16	SDAF 3160 KA x 10 15/16	23160 CACK/W33	SNP 3160 x 10 15/16	36053-157	ERF 858	
10 15/16	11	SDAF 23260 KA x 10 15/16	SDAF 3260 KA x 10 15/16	23260 CACK/W33	SNP 3260 x 10 15/16	36053-130	ERF1002	
11 7/16	11 1/2	SDAF 23064 KA x 11 7/16	SDAF 3064 KA x 11 7/16	23064 CCK/W33	SNP 3064 x 11 7/16	A 8968 ⁴⁾	ERF 861	
11 15/16	12	SDAF 23064 KA x 11 15/16	SDAF 3064 KA x 11 15/16	23064 CCK/W33	SNP 3064 x 11 15/16	A 8968 ⁴⁾	ERF 859	
		SDAF 23164 KA x 11 15/16	SDAF 3164 KA x 11 15/16	23164 CACK/W33	SNP 3164 x 11 15/16	A 8970	ERF 900	
		SDAF 23264 KA x 11 15/16	SDAF 3264 KA x 11 15/16	23264 CACK/W33	SNP 3264 x 11 15/16	36053-137	ERF 900	
12 7/16	12 1/2	SDAF 23068 KA x 12 7/16	SDAF 3068 KA x 12 7/16	23068 CACK/W33	SNP 3068 x 12 7/16	A 8969 ⁴⁾	ERF 865	
		SDAF 23168 KA x 12 7/16	SDAF 3168 KA x 12 7/16	23168 CACK/W33	SNP 3168 x 12 7/16	36053-137	ERF 975	
		SDAF 23268 KA x 12 7/16	SDAF 3268 KA x 12 7/16	23268 CACK/W33	SNP 3268 x 12 7/16	36053-143	ERF 975	
12 15/16	13	SDAF 23072 KA x 12 15/16	SDAF 3072 KA x 12 15/16	23072 CACK/W33	SNP 3072 x 12 15/16	A 8970 ⁴⁾	ERF 869	
13 7/16	13 1/2	SDAF 23072 KA x 13 7/16	SDAF 3072 KA x 13 7/16	23072 CACK/W33	SNP 3072 x 13 7/16	A 8970 ⁴⁾	ERF 872	
		SDAF 23172 KA x 13 7/16	SDAF 3172 KA x 13 7/16	23172 CCK/W33	SNP 3172 x 13 7/16	36053-167	ERF 872	
		SDAF 23272 KA x 13 7/16	SDAF 3272 KA x 13 7/16	23272 CACK/W33	SNP 3272 x 13 7/16	36053-150	ERF 979	
13 15/16	14	SDAF 23076 KA x 13 15/16	SDAF 3076 KA x 13 15/16	23076 CACK/W33	SNP 3076 x 13 15/16	A 8971 ⁴⁾	ERF 875	
		SDAF 23176 KA x 13 15/16	SDAF 3176 KA x 13 15/16	23176 CACK/W33	SNP 3176 x 13 15/16	36053-143	ERF 875	
		SDAF 23276 KA x 13 15/16	SDAF 3276 KA x 13 15/16	23276 CACK/W33	SNP 3276 x 13 15/16	36053-152	ERF 977	
14 15/16	15	SDAF 23180 KA x 14 15/16	SDAF 3180 KA x 14 15/16	23180 CACK/W33	SNP 3180 x 14 15/16	36053-150	ERF 882	
		SDAF 23280 KA x 15	SDAF 3280 KA x 15	23280 CACK/W33	SNP 3280 x 15	36053-165	ERF 976	

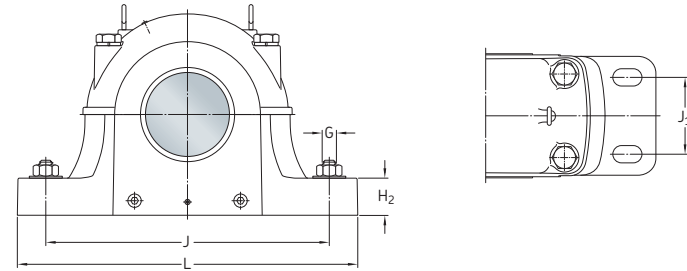
¹⁾ Requires different adapter sleeve and seals.
²⁾ Optional internal radial clearance (e.g. C3) available on request.
³⁾ For a held unit, order stabilizing rings separately.
⁴⁾ Only one stabilizing ring required.

Complete pillow block Designation	Dimensions											Mass	
	A ₁	A ₂	S	b _a	H	H ₁	H ₂	J _{min}	J _{max}	J ₁	L		G
-	in.											lb.	
SDAF 23248 KA x 8 15/16	13 1/8	13 3/4	0	4 7/8	20 7/8	10 1/4	3 3/4	29	30 1/2	8 3/4	35	1 5/8	1100
SDAF 23152 KA x 9 7/16	13 3/8	13 3/4	0	4 5/8	20 7/8	10 1/4	3 3/4	29	30 1/2	8 3/4	35	1 5/8	1050
SDAF 23252 KA x 9 7/16	14 3/4	15 1/2	0	5 7/32	23 7/16	12	4	32 3/4	33 1/2		38 1/4	1 5/8	1350
SDAF 23156 KA x 10 7/16	14 3/4	15 1/2	0	4 25/32	23 7/16	12	4	32 3/4	33 1/2	9	38 1/4	1 5/8	1250
SDAF 23256 KA x 10 7/16	14 3/4	15 1/2	0	5 11/32	23 7/16	12	4	32 3/4	33 1/2		38 1/4	1 5/8	1400
SDAF 23060 KA x 10 15/16	14 3/4	15 1/2	3/16	4 11/32	23 7/16	12	3 3/8	32 3/4	33 1/2	9	38 1/4	1 5/8	1200
SDAF 23160 KA x 10 15/16	14 3/4	15 1/2	0	5 1/8	23 7/16	12	4	32 3/4	33 1/2	9	38 1/4	1 5/8	1350
SDAF 23260 KA x 10 15/16	15 3/4	16 3/4	0	5 3/4	25 3/4	12 13/16	4 1/2	35	36 1/2	10 1/2	41 3/4	1 7/8	1900
SDAF 23064 KA x 11 7/16	14 3/4	15 1/2	3/16	4 1/2	23 7/16	12	3 3/8	32 3/4	33 1/2	9	38 1/4	1 5/8	1300
SDAF 23064 KA x 11 15/16	14 3/4	15 1/2	3/16	4 1/2	23 7/16	12	3 3/8	32 3/4	33 1/2	9	38 1/4	1 5/8	1250
SDAF 23164 KA x 11 15/16	15 3/4	16 3/4	0	5 7/32	25 3/4	12 13/16	4 1/2	35	36 1/2	10 1/2	41 3/4	1 7/8	1850
SDAF 23264 KA x 11 15/16	17 3/4	18 3/4	0	6 5/32	27 7/8	14	5	36 3/4	38 1/4	10 3/4	43 3/4	2	2500
SDAF 23068 KA x 12 7/16	15 1/4	15 3/4	3/16	4 7/8	24	11 13/16	4 3/16	32	33 1/2	10	39	1 7/8	1550
SDAF 23168 KA x 12 7/16	17 1/8	18 3/4	0	5 29/32	27 7/8	14	5	36 3/4	38 1/4	10 3/4	43 3/4	2	2450
SDAF 23268 KA x 12 7/16	17 1/8	17 5/8	0	6 19/32	28 7/8	14 1/2	5 1/4	39 1/4	40 3/4	11	46	2	2650
SDAF 23072 KA x 12 15/16	15 3/4	16 3/4	3/16	4 7/8	25 3/4	12 13/16	4 1/2	35	36 1/2	10 1/2	41 3/4	1 7/8	1650
SDAF 23072 KA x 13 7/16	15 3/4	16 3/4	3/16	4 7/8	25 3/4	12 13/16	4 1/2	35	36 1/2	10 1/2	41 3/4	1 7/8	1600
SDAF 23172 KA x 13 7/16	17 1/8	17 5/8	0	5 31/32	28 7/8	14 1/2	5 1/4	39 1/4	40 3/4	11	46	2	2500
SDAF 23272 KA x 13 7/16	18 3/4	19 1/4	0	6 3/4	30 1/2	15 1/2	5 1/2	41 3/4	43 1/2	12 1/4	48 3/4	2 1/4	2950
SDAF 23076 KA x 13 15/16	15 3/4	16 3/4	3/16	5 1/8	25 3/4	12 13/16	4 1/2	35	36 1/2	10 1/2	41 3/4	1 7/8	1700
SDAF 23176 KA x 13 15/16	17 1/8	17 5/8	0	6 1/8	28 7/8	14 1/2	5 1/4	39 1/4	40 3/4	11	46	2	2500
SDAF 23276 KA x 13 15/16	18 3/4	19 1/4	0	7 1/32	30 1/2	15 1/2	5 1/2	41 3/4	43 1/2	12 1/4	48 3/4	2 1/4	3050
SDAF 23180 KA x 15	18 3/4	19 1/4	0	6 13/32	30 1/2	15 1/2	5 1/2	41 3/4	43 1/2	12 1/4	48 3/4	2 1/4	2800
SDAF 23280 KA x 15	21	21 3/4	0	7 1/2	33 3/4	17	5 1/2	44 3/8	46 1/8	14 1/2	52	2 1/4	4500

9.3 Extended range pillow blocks with spherical roller bearings on an adapter sleeve
Series SDAF 230(00) KA, 231(00) KA, 232(00) KA
 d_a 15 – 19 1/2 in.



Units of measurement
 In this chapter only imperial units are used. To convert imperial units to metric units, refer to the conversion table on page 10.



Shaft diameter Stand- ard d _a	Op- tional ¹⁾	Complete pillow block	Components Pillow block housing	Bearing ²⁾	Adapter assembly	Stabilizing ring ³⁾ (2 req'd)	Laby- rinth ring (2 incl.)
in	-	-	-	-	-	-	-
15	14 ^{15/16}	SDAF 23080 KA x 15	SDAF 3080 KA x 15	23080 CACK/W33	SNP 3080 x 15	36053-153 ⁴⁾	ERF 847
15 3/4	- ⁵⁾	SDAF 23084 KA x 15 3/4 SDAF 23184 KA x 15 3/4 SDAF 23284 KA x 15 3/4	SDAF 3084 KA x 15 3/4 SDAF 3184 KA x 15 3/4 SDAF 3284 KA x 15 3/4	23084 CAK/W33 23184 CAK/W33 23284 CAK/W33	SNP 3084 x 15 3/4 SNP 3184 x 15 3/4 SNP 3284 x 15 3/4	36053-143 ⁴⁾ 36053-160 36053-154	ERF 969 ERF 907 ERF 907
16 1/2	- ⁵⁾	SDAF 23088 KA x 16 1/2 SDAF 23188 KA x 16 1/2 SDAF 23288 KA x 16 1/2	SDAF 3088 KA x 16 1/2 SDAF 3188 KA x 16 1/2 SDAF 3288 KA x 16 1/2	23088 CAK/W33 23188 CAK/W33 23288 CAK/W33	SNP 3088 x 16 1/2 SNP 3188 x 16 1/2 SNP 3288 x 16 1/2	36053-150 ⁴⁾ 36053-165 36053-159	ERF 958 ERF 958 ERF 958
17	- ⁵⁾	SDAF 23092 KA x 17 SDAF 23192 KA x 17	SDAF 3092 KA x 17 SDAF 3192 KA x 17	23092 CAK/W33 23192 CAK/W33	SNP 3092 x 17 SNP 3192 x 17	36053-152 ⁴⁾ 36053-154	ERF 838 ERF 838
18	- ⁵⁾	SDAF 23096 KA x 18 SDAF 23196 KA x 18	SDAF 3096 KA x 18 SDAF 3196 KA x 18	23096 CAK/W33 23196 CAK/W33	SNP 3096 x 18 SNP 3196 x 18	36053-200 ⁴⁾ 36053-159	ERF 888 ERF 888
18 1/2	- ⁵⁾	SDAF 230/500 KA x 18 1/2	SDAF 30/500 KA x 18 1/2	230/500 CAK/W33	SNP 30/500 x 18 1/2	36053-165 ⁴⁾	ERF 978
19 1/2	- ⁵⁾	SDAF 230/530 KA x 19 1/2	SDAF 30/530 KA x 19 1/2	230/530 CAK/W33	SNP 30/530 x 19 1/2	36053-166 ⁴⁾	ERF 926

Complete pillow block Designation	Dimensions													Mass
	A ₁	A ₂	S	b _a	H	H ₁	H ₂	J _{min}	J _{max}	J ₁	L	G		
-	in.													lb.
SDAF 23080 KA x 15	17 1/8	17 5/8	3/16	5 17/32	29	14 1/2	5 1/4	39 1/4	40 3/4	11	46	2	2 300	
SDAF 23084 KA x 15 3/4	17 1/8	17 5/8	3/16	5 9/16	29	14 1/2	5 1/4	39 1/4	40 3/4	11	46	2	2 300	
SDAF 23184 KA x 15 3/4	21	21 3/4	0	6 7/8	33 3/4	17	5 1/2	44 3/8	46 1/8	14 1/2	53	2 1/4	4 300	
SDAF 23284 KA x 15 3/4	21 5/8	22 1/4	0	7 13/16	35 3/4	18	5 3/4	47 1/8	48 7/8	15	54 1/4	2 1/2	5 000	
SDAF 23088 KA x 16 1/2	18 3/4	19 1/4	3/16	5 3/4	30 1/2	15 1/2	5 1/2	41 3/4	43 1/2	12 1/4	48 3/4	2 1/4	2 550	
SDAF 23188 KA x 16 1/2	21	21 3/4	0	7 7/32	33 3/4	17	5 1/2	44 3/8	46 1/8	14 1/2	53	2 1/4	4 300	
SDAF 23288 KA x 16 1/2	21 5/8	22 1/4	0	8 9/32	35 3/4	18	5 3/4	47 1/8	48 7/8	15	54 1/4	2 1/2	5 050	
SDAF 23092 KA x 17	18 3/4	19 1/4	3/16	5 7/8	30 1/2	15 1/2	5 1/2	41 3/4	43 1/2	12 1/4	48 3/4	2 1/4	2 850	
SDAF 23192 KA x 17	21 5/8	22 1/4	0	7 1/2	35 3/4	18	5 3/4	47 1/8	48 7/8	15	54 1/4	2 1/2	5 000	
SDAF 23096 KA x 18	21	21 3/4	3/16	5 29/32	33 3/4	17	5 1/2	44 3/8	46 1/8	14 1/2	53	2 1/4	4 250	
SDAF 23196 KA x 18	21 5/8	22 1/4	0	7 21/32	35 3/4	18	5 3/4	47 1/8	48 7/8	15	54 1/4	2 1/2	5 300	
SDAF 230/500 KA x 18 1/2	21	21 3/4	3/16	6 1/2	33 3/4	17	5 1/2	44 3/8	46 1/8	14 1/2	53	2 1/4	4 350	
SDAF 230/530 KA x 19 1/2	21 5/8	22 1/4	3/16	6 27/32	35 3/4	18	5 3/4	47 1/8	48 7/8	15	54 1/4	2 1/2	5 200	

¹⁾ Requires different adapter sleeve and seals.
²⁾ Optional internal radial clearance (e.g. C3) available on request.
³⁾ For a held unit, order stabilizing rings separately.
⁴⁾ Only one stabilizing ring required.
⁵⁾ Optional shaft sizes available on request.