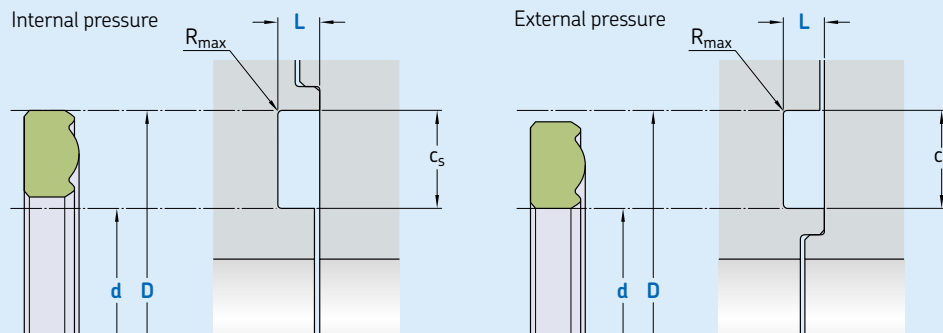


R20-P



Ordering dimensions in **blue**

Pressure Surface roughness	Constant		Pulsating	
	R_{tmax}	R_a	R_{tmax}	R_a
	m		m	
Sliding surface	12,5	3,2	6,3	1,6
Bottom of groove	12,5	3,2	6,3	1,6
Groove face	12,5	3,2	6,3	1,6

Bearing area: 50–95% and a cutting depth of 0,5 R_z based on $C_{ref} = 0\%$

Standard dimensions					
d	D	c_s	L	R_{max}	
h11	H11		+ 0,2		
over	incl.				
mm					
5	75	d + 15	7,5	2,5	0,4
75	100	d + 16	8	4	0,4
100	150	d + 20	10	5	0,4
150	200	d + 25	12,5	6	0,4
200	350	d + 30	15	7,5	0,4
350	600	d + 40	20	10	0,4

Standard definition for this profile is inner pressure.
d h11 = D H11

Ordering example

Profile
d x D x L [mm]
Sealing material

Rotary seal R20-P
100 x 125 x 7,7
ECOPUR

Operating parameters

Material Seal	Temperature		Speed	Pressure
	from	to	max	max
–	°C		m/s	bar (MPa)
■ ECOPUR	–30	+110	only recommended for static application	800 (80)
■ ECOPUR LD	–35			
■ G-ECOPUR	–30			
■ H-ECOPUR	–20			
■ S-ECOPUR	–20			
■ T-ECOPUR	–50			

IMPORTANT NOTE: The stated operating conditions represent general indications. It is recommended not to use all maximum values simultaneously. Standard of this profile is inner pressure.