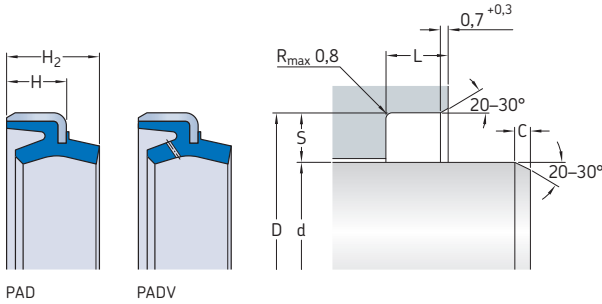


4.3 PAD and PADV profile wiper seals, metric sizes d 30 – 120 mm



| Dimensions | | | | | | | Designations | |
|-----------------|-----|------|---|------|---|----------------|------------------|-------------------|
| d ¹⁾ | D | L | S | C | H | H ₂ | PAD | PADV (with vent) |
| | H8 | +0,5 | | min. | | +1 | | |
| mm | | | | | | | - | |
| 30 | 42 | 6,5 | 6 | 4 | 6 | 9 | PAD 30x42x6x9 | PADV 30x42x6x9 |
| 35 | 47 | 7,5 | 6 | 4 | 7 | 10 | PAD 35x47x7x10 | PADV 35x47x7x10 |
| 40 | 52 | 7,5 | 6 | 4 | 7 | 10 | PAD 40x52x7x10 | PADV 40x52x7x10 |
| 45 | 57 | 7,5 | 6 | 4 | 7 | 10 | PAD 45x57x7x10 | PADV 45x57x7x10 |
| 50 | 62 | 7,5 | 6 | 4 | 7 | 10 | PAD 50x62x7x10 | PADV 50x62x7x10 |
| 55 | 69 | 8,5 | 7 | 5 | 8 | 11 | PAD 55x69x8x11 | PADV 55x69x8x11 |
| 60 | 74 | 8,5 | 7 | 5 | 8 | 11 | PAD 60x74x8x11 | PADV 60x74x8x11 |
| 65 | 79 | 8,5 | 7 | 5 | 8 | 11 | PAD 65x79x8x11 | PADV 65x79x8x11 |
| 70 | 84 | 8,5 | 7 | 5 | 8 | 11 | PAD 70x84x8x11 | PADV 70x84x8x11 |
| 75 | 89 | 8,5 | 7 | 5 | 8 | 11 | PAD 75x89x8x11 | PADV 75x89x8x11 |
| 80 | 94 | 8,5 | 7 | 5 | 8 | 11 | PAD 80x94x8x11 | PADV 80x94x8x11 |
| 85 | 99 | 8,5 | 7 | 5 | 8 | 11 | PAD 85x99x8x11 | PADV 85x99x8x11 |
| 90 | 104 | 8,5 | 7 | 5 | 8 | 11 | PAD 90x104x8x11 | PADV 90x104x8x11 |
| 95 | 109 | 8,5 | 7 | 5 | 8 | 11 | PAD 95x109x8x11 | PADV 95x109x8x11 |
| 100 | 114 | 8,5 | 7 | 5 | 8 | 11 | PAD 100x114x8x11 | PADV 100x114x8x11 |
| 105 | 121 | 9,5 | 8 | 7 | 9 | 12 | PAD 105x121x9x12 | PADV 105x121x9x12 |
| 110 | 126 | 9,5 | 8 | 7 | 9 | 12 | PAD 110x126x9x12 | PADV 110x126x9x12 |
| 115 | 131 | 9,5 | 8 | 7 | 9 | 12 | PAD 115x131x9x12 | PADV 115x131x9x12 |
| 120 | 136 | 9,5 | 8 | 7 | 9 | 12 | PAD 120x136x9x12 | PADV 120x136x9x12 |

Other sizes are available on request

¹⁾ Tolerance is determined by the rod seal