

Electric grease transfer pump

Series GTP-C

Fills automatic lubrication system reservoirs in wind energy, mobile equipment and industrial machinery applications



GTP-C Electric grease transfer pump

The GTP-C is an electric gerotor pump. It is designed for use with grease drums having a capacity of up to 180 kg/216 l (55 gal/400 lb).

To use the GTP-C, simply turn on the main switch located on the terminal box. The function status is shown by two LEDs, with green indicating power supply and yellow indicating the pump's operational readiness. The GTP-C will deliver grease continuously while the button on the wired remote control is pressed.

The grease in the drum or pail is drawn below the follower plate and fed by the pump. When the follower plate reaches the bottom of the drum, it activates an empty signal switch that automatically shuts off the pump. Replacing the empty grease drum is simplified by opening the vent.

Hose lines are offered in varying lengths and include matching couplings for connection to the pump reservoir.

Features:

- Purely electric drive
- For grease drum sizes up to 180 kg (55 gal)
- For pressure up to 100 bar (1 450 psi)
- Filling hose with quick-release coupling or connection with M30x2 thread
- High delivery volume up to 1 100 cm³/min (0.29 gal/min)

Benefits:

- Powerful performance with no air connection required
- Fast filling even at low temperatures
- Time- and effort-saving alternative to manual filling
- Easy-to-use in mobile applications

Applications:

Filling reservoirs of centralized lubrication pumps in applications such as:

- Wind energy
 - Service and maintenance trucks
 - Mining and construction vehicles
 - General mechanical and plant engineering
- Mobile use for service teams

Important information on product usage

SKF and Lincoln lubrication systems or their components are not approved for use with gases, liquefied gases, pressurized gases in solution and fluids with a vapor pressure exceeding normal atmospheric pressure (1 013 mbar) by more than 0,5 bar at their maximum permissible temperature.

GTP-C Electric grease transfer pump

Technical data



Electric grease transfer pump 120 VAC

Technical data

Type	Gerotor pump
Temperature range	-10 to +50 °C (14 to 122 °F)
Mounting position	Vertical
Pump drive	Electric motor with starting capacitor and planetary gearing
Motor rating	0,37 kW
Protection class	IP54
Insulation class	F
Lubricant	Flow pressure max. 700 mbar (1 015 psi), greases of NLGI Grades 1, 2

GTP-C, 120 V

System voltage	120 VAC/60 Hz
Rated delivery pressure	Max. 80 bar (1 160 psi)
Delivery volume	1 000 cm ³ /min (0.26 gal/min)
Power consumption	6,7 A
Inrush current	up to 22 A
Electrical connection	Grounded plug NEMA 5-30, 3 m (9.8 ft) cable, motor protection via circuit breaker

GTP-C, 230 V

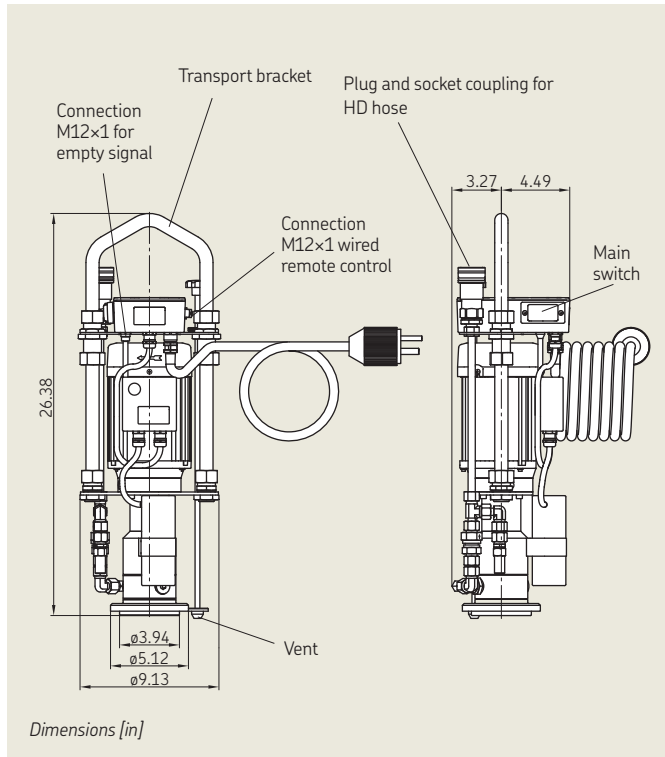
System voltage	230 VAC/50 Hz
Rated delivery pressure	Max. 100 bar (1 450 psi)
Delivery volume	1 100 cm ³ /min (0.29 gal/min)
Power consumption	6 A
Electrical connection	Grounded plug, 3 m (9.8 ft) cable, motor protection via circuit breaker



Electric grease transfer pump 230 VAC

GTP-C Electric grease transfer pump

Pump design, 120 V AC version



Filling pump mounted on frame with follower plate in transport pail, 120 V AC/60 Hz

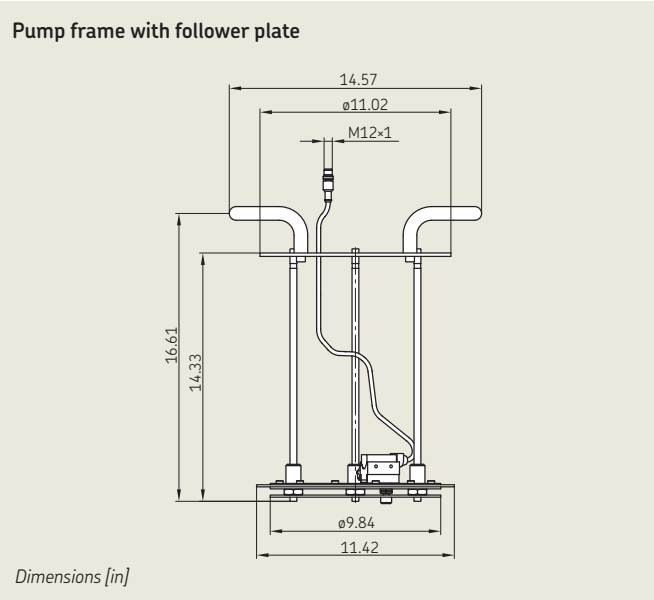
Order number	Reservoir capacity [gal]	Plug and socket coupling + transport bracket	Empty signal
799-000-3161	5	yes	yes

Order example

The GTP-C filler pump is mounted on a frame with follower plate at a distance of 9 m (29.5 ft) from the KFG piston pump. It fills the KFG pump through a coupling socket and plug

- Filling pump for 120 V AC mounted on frame with follower plate, Order number 799-000-3161
- Filling hose length 10 m (32.8 ft) with coupler plug, Item 1
- Coupling socket G1/2 on coupler plug, Item 2
- Coupler plug G1/4, Item 3
- Wired remote control length 10 m (32.8 ft), Item 12

Associated order number to items → table accessories, page 6

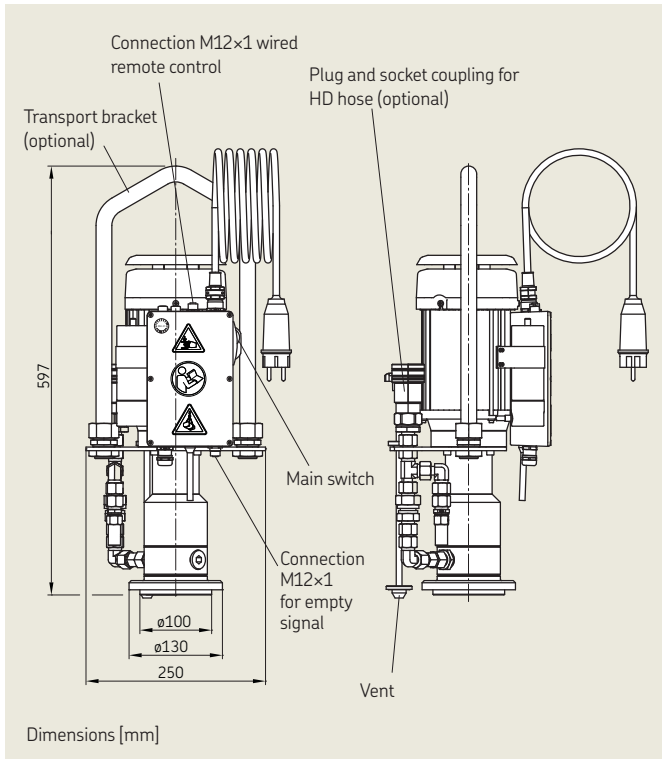


Frame with follower plate, 120 V AC/60 Hz

Order number	Description
24-1722-2580	for reservoir capacity 5 gal with empty signal

GTP-C Electric grease transfer pump

Pump design, 230 V AC version



Filling pump mounted on frame with follower plate in transport pail, 230 V AC/50 Hz

Order number	Reservoir capacity [kg]	Plug and socket coupling + transport bracket	Empty signal
799-000-3109	25	yes	yes
799-000-3112	25	no	yes
799-000-3119	50	yes	yes
799-000-3118	180	yes	yes

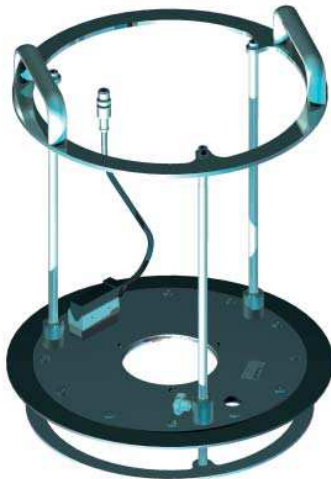
Order example

The GTP-C filler pump is mounted on a frame with follower plate at a distance of 9 m (29.5 ft) from the KFG piston pump. It fills the KFG pump through a coupling socket and plug

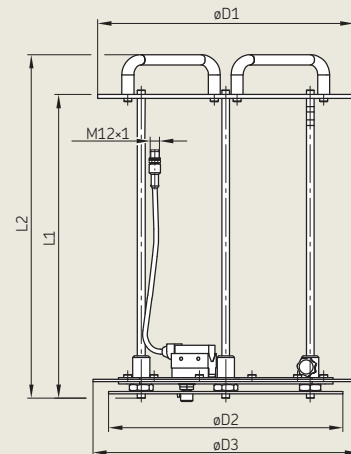
- Filling pump for 230 V AC mounted on frame with follower plate, Order number 799-000-3109
- Filling hose length 10 m (32.8 ft) with coupler plug, Item 1
- Coupling socket G1/2 on coupler plug, Item 2
- Coupler plug G1/4, Item 3
- Wired remote control length 10 m (32.8 ft), Item 12

Associated order number to items → table accessories, page 6

Pump frame with follower plate



Pump frame with follower plate



Frame with follower plate, 230 V AC/50 Hz

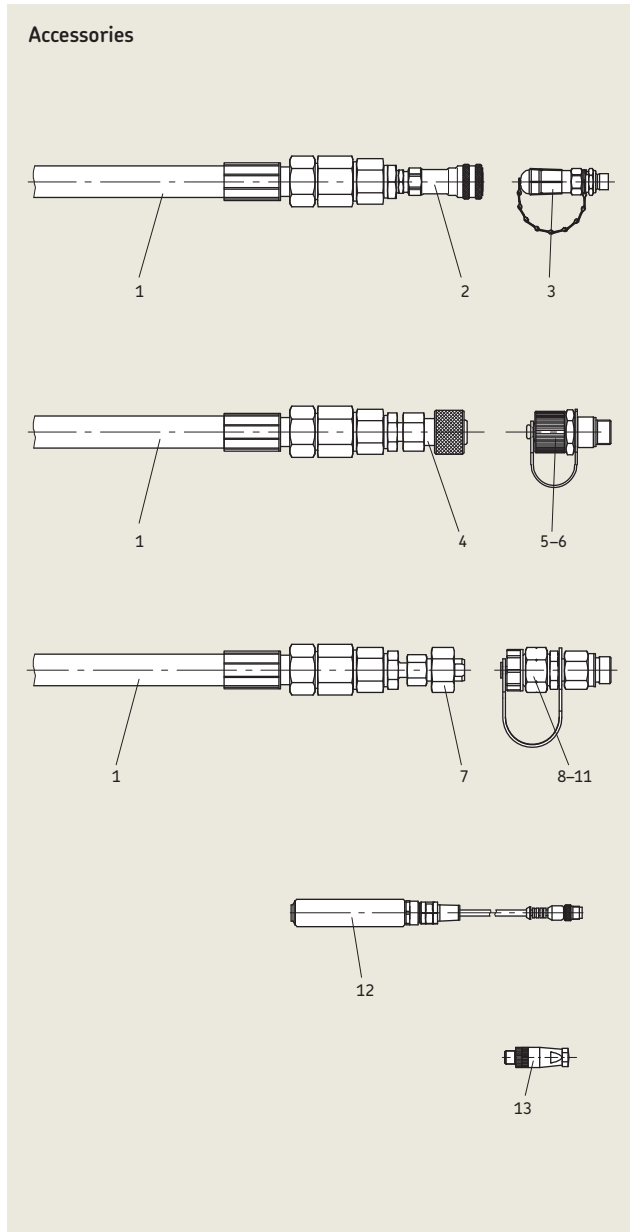
Order number	Description
24-1722-2557	for reservoir capacity 25 kg/30 l, with empty signal
24-1722-2558	for reservoir capacity 50 kg/60 l, with empty signal
24-1722-2561	for reservoir capacity 180 kg/216 l, with empty signal

Dimensions [mm]

Order number	$\varnothing D1$	$\varnothing D2$	$\varnothing D3$	L1	L2
24-1722-2557	328	300	340	389	440
24-1722-2558	350	345	375	644	695
24-1722-2561	560	560	590	856	907

GTP-C Electric grease transfer pump

Accessories



Accessories

Item	Description	Order number	
1	Filling hose (HD high-pressure hose) Nominal diameter 19 mm, coupler plug, operating pressure 105 bar (1 523 psi), test pressure 210 bar (3 046 psi)	Length 5 m (16.4 ft)	24-1868-4337
		Length 10 m (32.8 ft)	24-1868-4338
		Length 15 m (49.1 ft)	24-1868-4339
		Nominal diameter 19 mm, connection M30×2	
		Length 5 m (16.4 ft)	24-1868-4340
		Length 10 m (32.8 ft)	24-1868-4341
Length 15 m (49.1 ft)	24-1868-4342		
2	Coupling socket G1/2 on coupler plug	24-0159-2111	
3	Coupler plug G1/4	995-000-705	
4	Coupling for filler socket	24-0159-2112	
5	Straight filler socket M20×1.5	169-000-174	
6	Straight filler socket M20×1.5, short	169-000-170	
7	Connection port G1/2 for filler socket	24-0159-2110	
8	Straight filler socket M22×1.5	538-36763-1	
9	Straight filler socket M22×1.5, extended	538-36763-5	
10	Filler socket M22×1.5, angled 90°	538-36763-2	
11	Filler socket M22×1.5, extended, angled 90°	538-36763-4	
12	Wired remote control, cpl. M12×1	Length 5 m (16.4 ft)	24-6077-0099
		Length 10 m (32.8 ft)	24-6077-0100
		Length 15 m (49.1 ft)	24-6077-0101
13	Bridge M12×1 (required if no empty signal available on pump frame)	24-6882-0079	



skf.com | skf.com/lubrication | lincolnindustrial.com

© SKF is a registered trademark of the SKF Group.

© Lincoln is a registered trademark of Lincoln Industrial Corp.

© SKF Group 2016

The contents of this publication are the copyright of the publisher and may not be reproduced (even extracts) unless prior written permission is granted. Every care has been taken to ensure the accuracy of the information contained in this publication but no liability can be accepted for any loss or damage whether direct, indirect or consequential arising out of the use of the information contained herein.

PUB LS/P2.14970 EN · 1-0308-1-EN · August 2016