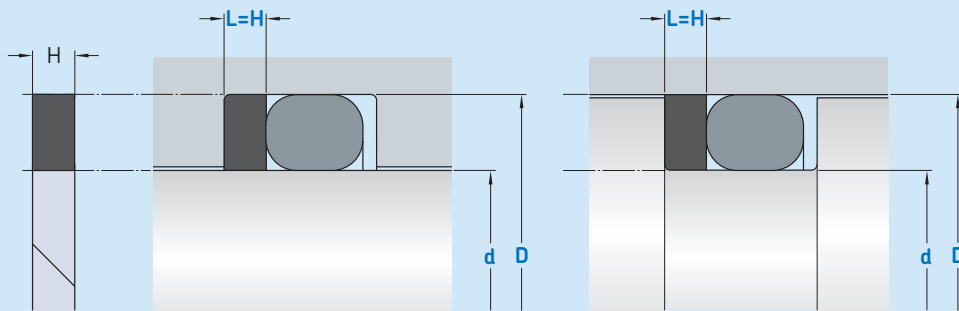


DST08



Ordering dimensions in **blue**

Pressure	Constant		Pulsating	
	R_{tmax}	R_a	R_{tmax}	R_a
Surface roughness	μm		μm	
Sliding surface	$\leq 6,3$	$\leq 1,6$	$\leq 3,2$	$\leq 0,8$
Bottom of groove	$\leq 12,5$	$\leq 3,2$	$\leq 6,3$	$\leq 1,6$
Groove face	$\leq 12,5$	$\leq 3,2$	$\leq 6,3$	$\leq 1,6$

Bearing area: 50–95% and a cutting depth of 0,5 R_z based on $C_{ref} = 0\%$
 Table values are relevant for static applications.
 For dynamic applications, please refer to the recommended surface roughness of the corresponding sealing element.

Standard dimensions

Minimum nominal inside diameter
 $d \geq 4,5$ mm.

Profile size, surface data and tolerances are the result of a combination of the relevant application specific sealing material. Standard version: cutting gap 0, cut 45°.

Ordering example

Profile
 $d \times D \times L$ [mm]
 Backup ring

Backup ring DST08
 100 x 120 x 13
 SKF Ecotal

Operating parameters

Material Backup ring	Temperature	
	from	to
–	°C	
■ ECOPUR DD	–70	+110
■ SKF Eceptfe	–200	+260
■ SKF Ecotal	–50	+100

IMPORTANT NOTE: The stated operating conditions represent general indications. It is recommended not to use all maximum values simultaneously.