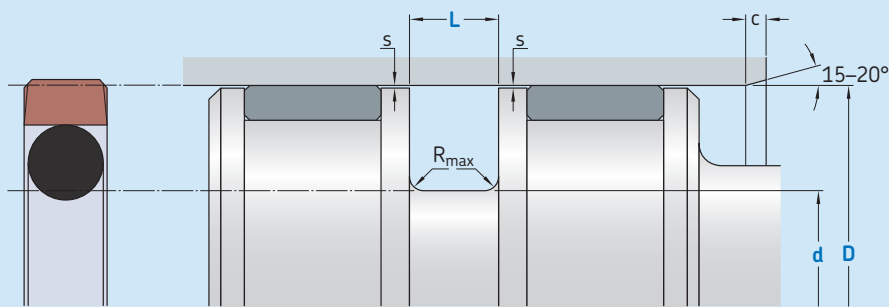


DK08-D



Ordering dimensions in **blue**

Surface roughness R_{tmax} R_a

Sliding surface $\leq 2 \mu m$ $0,05-0,2 \mu m$

Bottom of groove $\leq 6,3 \mu m$ $\leq 1,6 \mu m$

Groove face $\leq 15 \mu m$ $\leq 3 \mu m$

Bearing area: 50–95% and a cutting depth of 0,5 R_z based on $C_{ref} = 0\%$

Standard dimensions

D H9 over	d h10 incl.	L + 0,2	R	c	OD	Maximal radial extrusion gap				
						s^1)	100 bar	200 bar	400 bar	600 bar
mm						mm				
10	15	D – 4,9	2,2	0,4	2,5	1,78	0,30	0,20	0,15	0,05
15	40	D – 7,5	3,2	0,6	3,5	2,62	0,40	0,25	0,15	0,05
40	80	D – 11	4,2	1,0	4,5	3,53	0,40	0,25	0,20	0,10
80	133	D – 15,5	6,3	1,3	5,0	5,33	0,50	0,30	0,20	0,10
133	200	D – 21	8,1	1,8	6,0	7,00	0,60	0,35	0,25	0,15

¹⁾ The extrusion gap referred to is valid up to 80 °C and valid for the side opposite to the pressure side; higher temperatures require lower values.

Ordering example

Profile
D x d x L [mm]
Sealing material / Energizer

Piston seal DK08-D
100 x 84,5 x 6,3
SKF Ecoptfe / NBR70

Operating parameters

Material Seal	Energiizer	Temperature		Speed ¹⁾	Pressure ²⁾
		from	to	max	max
–		°C		m/s	bar (MPa)
■ SKF Ecostfe	FPM75	–20	+200	10	600 (60)
■ SKF Ecostfe	NBR70	–30	+100	10	600 (60)

IMPORTANT NOTE: The stated operating conditions represent general indications. It is recommended not to use all maximum values simultaneously.

¹⁾ Surface speed limit values are valid only in the presence of a lubrication film.

²⁾ Pressure ratings depend on the size of the extrusion gap.