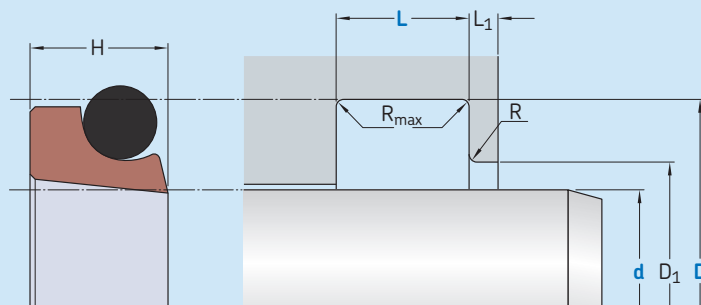


DA25-F



Ordering dimensions in **blue**

Surface roughness	TPU		PTFE	
	R_{tmax}	R_a	R_{tmax}	R_a
	μm		μm	
Sliding surface	$\leq 2,5$	0,05–0,3 μm	≤ 2	0,05–0,2 μm
Bottom of groove	$\leq 6,3$	$\leq 1,6$	$\leq 6,3$	$\leq 1,6$
Groove face	≤ 15	≤ 3	≤ 15	≤ 3

Bearing area: 50–95% and a cutting depth of 0,5 R_z based on $C_{ref} = 0\%$

Standard dimensions

d	D	OD	L	R_{max}	D_1	H	
f8	H10		+0,2		H11		
over	incl.						
mm							
5	11	d + 4,8	1,78	3,7	0,4	d + 2,7	3,6
11	63	d + 6,8	2,62	5,0	1,2	d + 3,5	4,8
63	200	d + 8,8	3,53	6,0	2,0	d + 4,0	5,8

Ordering example

Profile
d x D x L [mm]
Sealing material / Energizer

Wiper DA25-F
70 x 78,8 x 6
SKF Ecoptfe / NBR70

Operating parameters

Material Glide ring	Energizer	Temperature		Speed ¹⁾
		from	to	max
		°C		m/s
■ SKF Ecoatfe	NBR70	-30	+100	10
■ SKF Ecoatfe	FPM75	-20	+200	10

IMPORTANT NOTE: The stated operating conditions represent general indications. It is recommended not to use all maximum values simultaneously.

The pressure on the standard version is limited to 16 bar.

¹⁾ Surface speed limit values are valid only in the presence of a lubrication film.