

Miniature Regulator/Filter/Gauge

Description

Model 7936 is a combination regulator, moisture separator with filter, and a gauge. This model has a drain feature that allows bowl sediment and condensate to be automatically discharged.

Regulator

The regulator is self-relieving. Anytime the regulated air pressure is lowered, air exhausts at a relief port located in the spring cage. See **Figure 2**.

Filter

The filter removes impurities from the airstream in two ways. A deflector valve plate removes heavy particles (greater than 20 microns) dynamically by centrifugal force. The removal of smaller particles occur statically through the filter element.

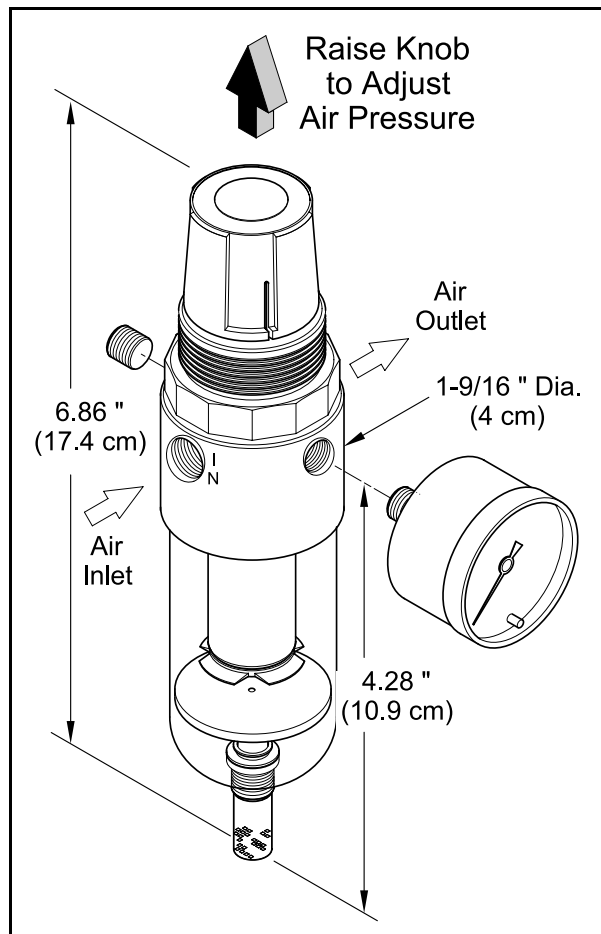



Figure 1 Miniature Regulator/Filter/Gauge Model 7936

WARNING

 Release all pressure within the system prior to performing any maintenance procedure.

- Close the air line shut-off valve.
- Turn the adjusting knob on the regulator fully counterclockwise.

Specifications

Regulator

Filter and Gauge

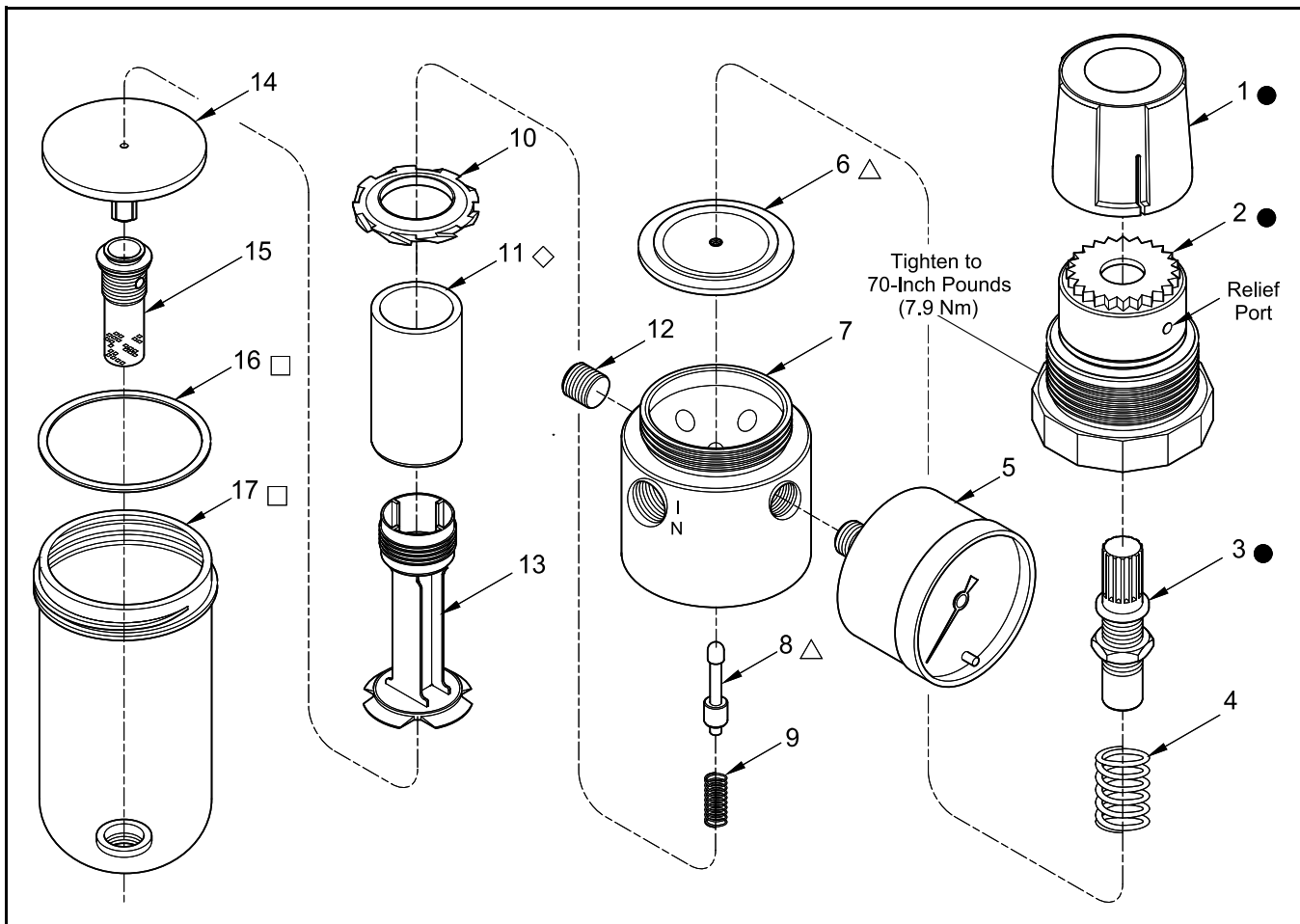
Max. Inlet Pressure		Max. Regulated Pressure		Temperature Range		Air Inlet / Outlet	Filter Size	Polycarbonate Bowl Size		Gauge Range		Gauge Ports
psi	Bars	psi	Bars	F	C			oz	cc	psi	Bars	
150	10.3	125	8.6	40 - 120	4.4 - 49	1/4 " NPTF (f)	20 microns	1	0.03	0 - 160	0 - 11	1/8 " NPTF (f)

Operation and Cleaning

Caution: Do not exceed 150 psi (10.3 Bars) line pressure. Do not use on systems lubricated with synthetic oils, oils with phosphate esters, or chlorinated hydrocarbons. Do not clean the bowl with chemicals (use soap and water only). These oils, chemicals, or excessive pressure will weaken the structure of the bowl and may cause it to rupture.

Alemite Corporation
 PO Box 473515, Charlotte, North Carolina 28247-3515
 www.alemite.com

Copyright © 2003 by Alemite Corporation



Item No.	Description	Qty	Notes	Item No.	Description	Qty	Notes
1	Knob, Adjusting	1	●	10	Plate, Deflector Vane	1	
2	Cage, Spring	1	●	11	Element, Filter, 20 Micron	1	◇
3	Screw Assembly, Adjusting	1	●	12	Plug, Pipe, 1/8 " NPTF (m)	1	
4	Spring, Adjusting	1		13	Retainer, Filter	1	
5	Gauge, Pressure	1	391421	14	Piston, Automatic Drain	1	
6	Diaphragm Assembly	1	△	15	Drain Cock Assembly	1	
7	Body	1		16	Gasket, Bowl	1	□
8	Valve Assembly, Inner	1	△	17	Bowl (Polyurethane)	1	□
9	Spring	1					

Legend:

● △ □ ◇ designates a repair kit item

Repair Kits

Part No.	Kit Symbol	Description
393339-49	◇	Kit, Element
393339-54	●	Kit, Spring Cage
393339-78	□	Kit, Bowl
393339-79	△	Kit, Inner Valve

Changes Since Last Printing

Changed Bowl Material and Overall Dimensions

Figure 2 Miniature Filter/Regulator/Gauge Model 7936 - Exploded View