



# Service Guide

8553  
8553-1 8553-2  
8553-A 8553-B

## Medium-Pressure Lubricant Pump

### Description

The major components of the medium-pressure lubricant pump assembly in the 8553 model series consist of a(n):

- air-operated motor
- double-acting reciprocating pump tube
- control valve assembly, z-swivel, and delivery hose
- cover w/ or w/o handle assembly (model dependent)

These medium-pressure pumps are designed to deliver:

- light through medium-viscosity non-fibrous lubricants
- rust-proofing compounds

**Models 8553, 8553-1, 8553-2, 8553-A, and 8553-B**

All pump models are obsolete except for model 8553-2. Service parts are available for all models.

### Specifications

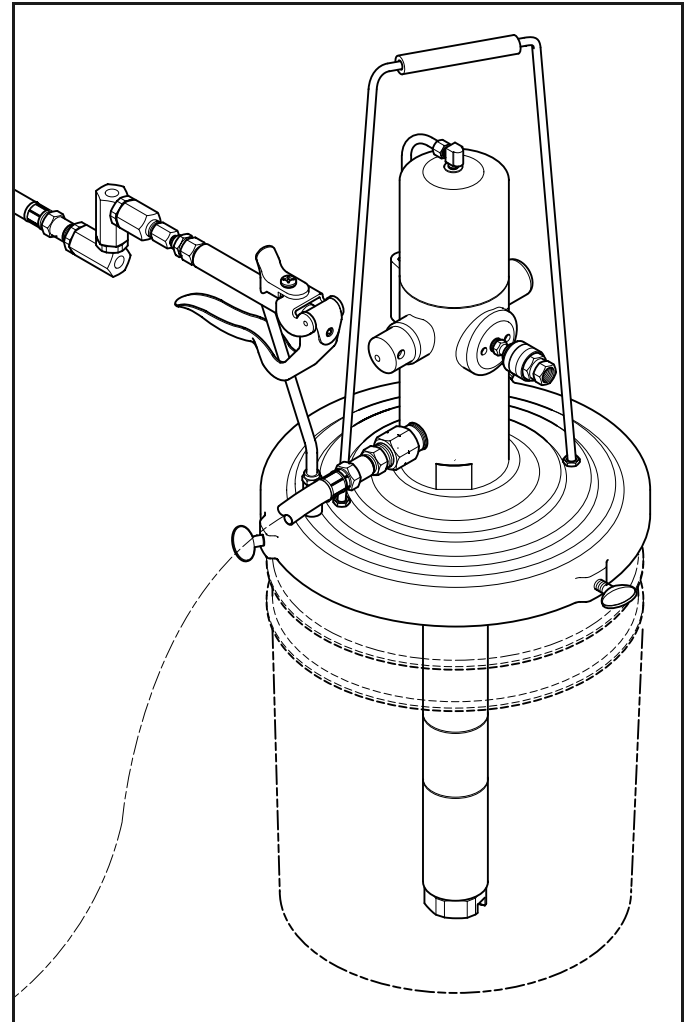
#### Air Motor

| Piston Diameter / Stroke                                |         | Air Inlet      | Max. Air Pressure |      |
|---------------------------------------------------------|---------|----------------|-------------------|------|
| Inches                                                  | mm      |                | psi               | Bars |
| 2-7/16 x 1-5/8                                          | 62 x 41 | 1/4 " NPSI (f) | 200               | 14   |
| For air motor data, refer to Service Guide SER 324300-5 |         |                |                   |      |

#### Pump Tube

| Material Outlet                                    | Max. Material Pressure |      | Delivery/Minute (Approximate)* |     | Displacement/Cycle |     |
|----------------------------------------------------|------------------------|------|--------------------------------|-----|--------------------|-----|
|                                                    | psi                    | Bars | gal                            | l   | ci                 | cc  |
| 3/8 " NPTF (f)                                     | 5200                   | 359  | 0.75                           | 2.8 | 0.47               | 7.7 |
| * For detailed information, refer to SER 331571-A5 |                        |      |                                |     |                    |     |

**Table 1** Pump Model 8553 Series Specifications



| Pump Model | Cover    | Original Stripped Pump Model | Current Stripped Pump Model | Container Size |     |     |         |
|------------|----------|------------------------------|-----------------------------|----------------|-----|-----|---------|
|            |          |                              |                             | lbs            | kg  | gal | l       |
| 8553       | 330658-4 | 331571-F1                    | 331571-C5                   | 35             | -   | 5   | -       |
| 8553-1     |          | 331571-F2                    |                             |                |     |     |         |
| 8553-2     | 338166   | 331571-C5                    |                             |                |     |     |         |
| 8553-A     | 338371   | 331571-A5                    |                             | 120            | 50  | 16  | -       |
| 8553-B     | 318040-4 | 331571-B5                    |                             | 400            | 180 | 55  | 200/205 |

**Figure 1** Medium-Pressure Pump Model 8553 Series  
Current Pump Model 8553-2 Shown

Alemite Corporation  
PO Box 473515, Charlotte, North Carolina 28247-3515  
www.alemite.com

Copyright © 1998 by Alemite Corporation

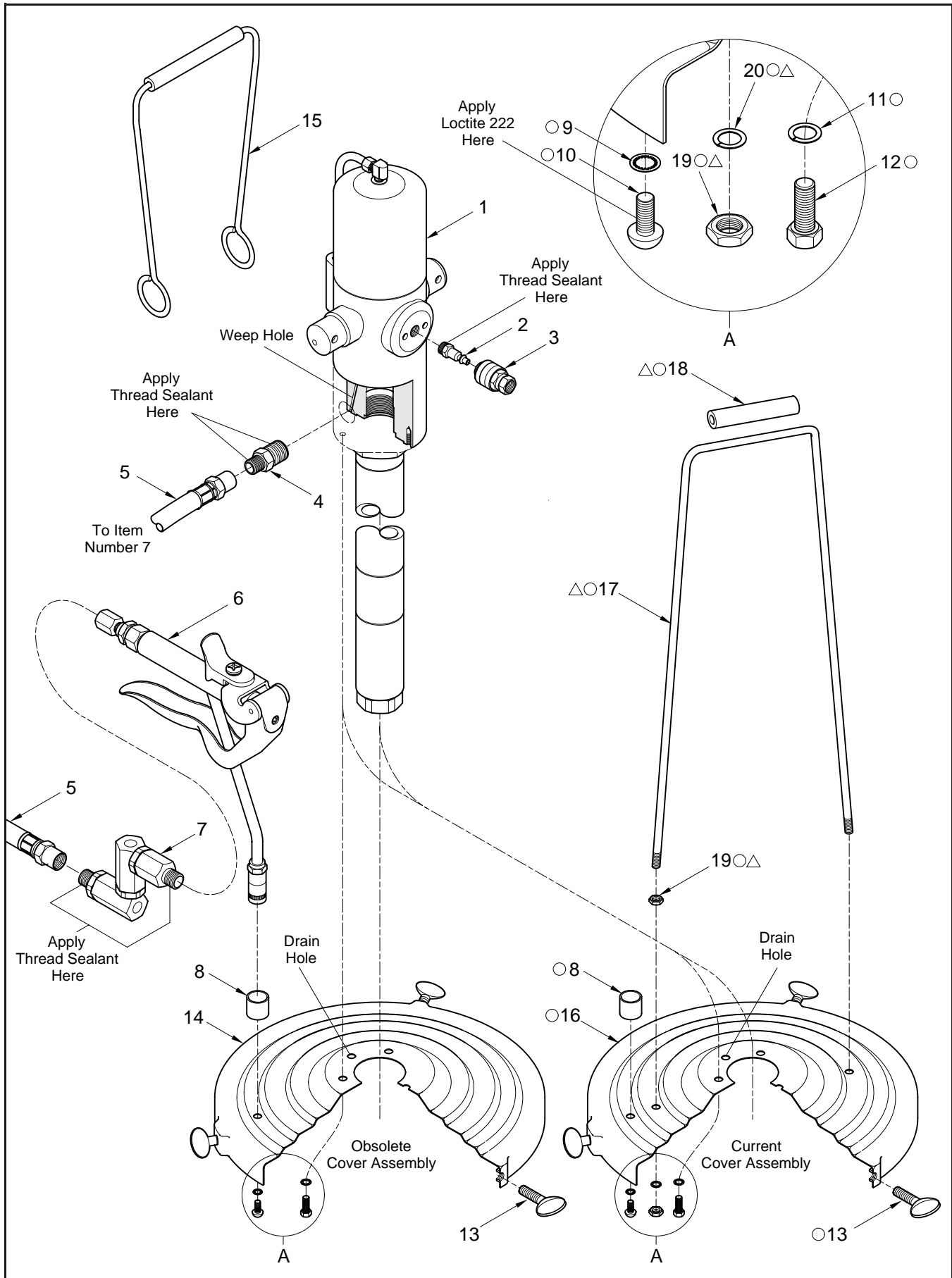


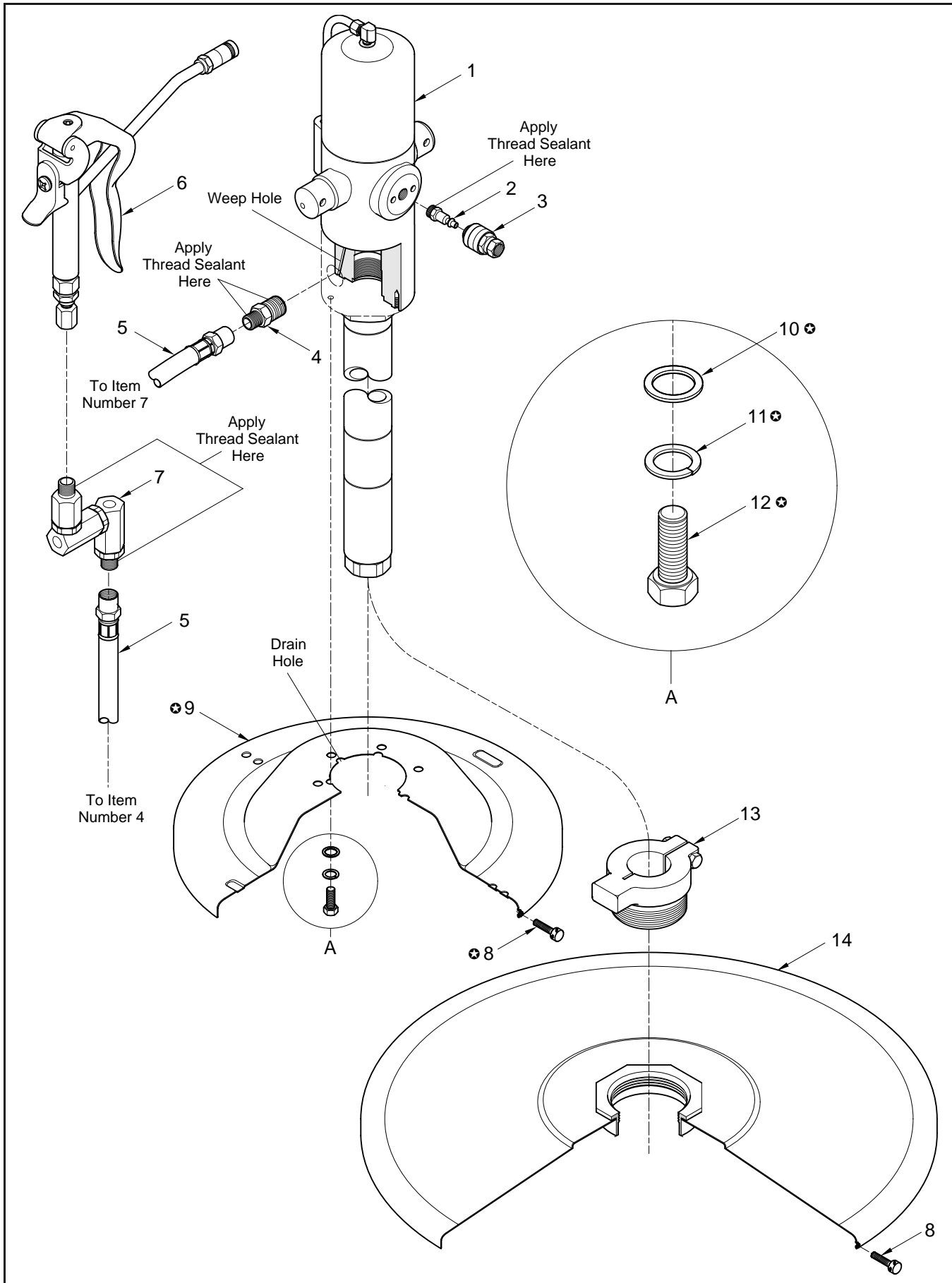
Figure 2-A Medium-Pressure Lubricant Pump Models 8553, 8553-1, and 8553-2 - Exploded View

| Item No. | Part No.  | Description                 | Model |        |        | Qty | Notes                    | Numeric Order Part # (Item #) |
|----------|-----------|-----------------------------|-------|--------|--------|-----|--------------------------|-------------------------------|
|          |           |                             | 8553  | 8553-1 | 8553-2 |     |                          |                               |
| 1        | 331571-C5 | Pump Assembly               | All   |        |        | 1   | See SER <b>331571-A5</b> | 6320-3 (6)                    |
| 2        | 328034    | Connector, 1/4 " NPTF (m)   |       |        |        | 1   |                          | 18223 (13)                    |
| 3        | 328030    | Coupler Air, 1/4 " NPTF (f) |       |        |        | 1   |                          | 44734 (4)                     |
| 4        | 44734     | Adapter, 3/8 " NPTF (m)     |       |        |        | 1   |                          | B52752 (7)                    |
| 5        | 317875-25 | Hose Assembly, Material     |       |        |        | 1   |                          | 77009 (9)                     |
| 6        | 6320-3    | Valve Assembly              |       |        |        | 1   | See SER <b>6320-3</b>    | 77786 (12)                    |
| 7        | B52752    | Z-Swivel Assembly           |       |        |        | 1   | See SER <b>B52750</b>    | 79029 (19)                    |
| 8        | 315943    | Bushing                     |       |        |        | 1   | ○                        | 170561 (10)                   |
| 9        |           | Washer, Lock, 1/4 "         |       |        |        | 1   | ○                        | 172207-1 (11)                 |
| 10       |           | Screw, 1/4 " -20 x 5/16 "   |       |        |        | 1   | ○                        | 172207-2 (20)                 |
| 11       | 172207-1  | Washer, Lock, 1/4 "         |       |        |        | 3   | ○                        | 315943 (8)                    |
| 12       | 77786     | Capscrew, 1/4 " -20 x 1/2 " |       |        |        | 3   | ○                        | 317875-25 (5)                 |
| 13       | 18223     | Screw, Thumb, 1/4 " -20     |       |        |        | 3   | ○                        | 321678 (18)                   |
| 14       |           | Cover Assembly              | ●     |        | 1      |     | 321696 (17)              |                               |
| 15       |           | Handle Assembly             |       |        | 1      |     | 327137 (15)              |                               |
| 16       |           | Cover Assembly              |       |        | 1      | ○   | 328030 (3)               |                               |
| 17       |           | Handle                      |       |        | 1      | ○△  | 328034 (2)               |                               |
| 18       |           | Grip (Rubber)               |       | ●      | 1      | ○△  | 330657-B4 (14)           |                               |
| 19       |           | Nut, 5/16 " -18             |       |        | 4      | ○△  | 331571-C5 (1)            |                               |
| 20       |           | Washer, Lock, 5/16 "        |       |        | 2      | ○△  | 338141 (16)              |                               |

**Legend:**  
 Part numbers left blank (or in *italics*) are not available separately  
 ○ △ designates a repair kit item

**Repair Kits**

| Part No.      | Kit Symbol | Description |
|---------------|------------|-------------|
| <b>338166</b> | ○          | Kit, Cover  |
| <b>393607</b> | △          | Kit, Handle |



**Figure 2-B** Medium-Pressure Lubricant Pump Models 8553-A and 8553-B - Exploded View

| Item No. | Part No.  | Description                 | Model  |        | Qty | Notes                    | Numeric Order Part # (Item #) |
|----------|-----------|-----------------------------|--------|--------|-----|--------------------------|-------------------------------|
|          |           |                             | 8553-A | 8553-B |     |                          |                               |
| 1        | 331571-A5 | Pump Assembly               | ●      |        | 1   | See SER <b>331571-A5</b> | 6320-3 (6)                    |
|          | 331571-B5 | Pump Assembly               |        | ●      | 1   |                          | 17804 (10)                    |
| 2        | 328034    | Connector, 1/4 " NPTF (m)   | Both   |        | 1   |                          | 44734 (4)                     |
| 3        | 328030    | Coupler Air, 1/4 " NPTF (f) |        | 1      |     | 48018 (8)                |                               |
| 4        | 44734     | Adapter, 3/8 " NPTF (m)     |        | 1      |     | B52752 (7)               |                               |
| 5        | 317875-25 | Hose Assembly, Material     |        | 1      |     | 77786 (12)               |                               |
| 6        | 6320-3    | Valve Assembly              |        | 1      |     | See SER <b>6320-3</b>    | 172207-1 (11)                 |
| 7        | B52752    | Z-Swivel Assembly           |        | 1      |     | See SER <b>B52750</b>    | 317875-25 (5)                 |
| 8        | 48018     | Screw, Thumb, 1/4 " -20     |        | 3      | ⊕   |                          | 318040-4 (14)                 |
| 9        |           | Cover Assembly              |        | ●      |     | 1                        | ⊕                             |
| 10       |           | Washer, 1/4 "               | 3      |        | ⊕   |                          | 326750 (13)                   |
| 11       |           | Washer, Lock, 1/4 "         | 3      |        | ⊕   |                          | 328030 (3)                    |
| 12       |           | Capscrew, 1/4 " -20 x 1/2 " | 3      |        | ⊕   |                          | 328034 (2)                    |
| 13       | 326750    | Adapter, Bung, 2 " NPTF (m) |        | ●      | 1   |                          | 331571-A5 (1)                 |
| 14       | 318040-4  | Cover Assembly              |        | ●      | 1   |                          | 331571-B5 (1)                 |

**Legend:**  
 Part numbers left blank (or in *italics*) are not available separately  
 ⊕ designates a repair kit item

**Repair Kit**

| Part No. | Kit Symbol | Description |
|----------|------------|-------------|
| 338371   | ⊕          | Kit, Cover  |

**Assembly**

**Model 8553-2**

**NOTE:** Refer to **Figures 2** and **2-A** for component identification on all assembly procedures.

**NOTE:** The Pump Assembly bolts to the Cover with the weep hole in the air motor aligned with the drain hole in the Cover. See **Figure 2-A**.

**CAUTION**

**Select a clean environment for all assembly procedures. Prevent contamination from foreign material. Damage to components can occur.**

**Pump and Cover Assembly**

*IMPORTANT: Make sure to remove the protective sleeve from the inlet of Pump Assembly (1).*

1. Install Pump Assembly (1) into Cover (16).
2. Secure the Pump Assembly to the Cover with Lock Washers (11) and Capscrews (12).
  - Tighten the Capscrews securely.
3. Install Grip (18) onto Handle (17).
4. Screw Nut (19) onto each end of the Handle.
5. Install the ends of the Handle into the Cover.

6. Install Lock Washer (20) and additional Nut (19) onto each end of the Handle.
  - Tighten the Nuts securely.
7. Fit the bolted Pump and Cover Assembly onto the container.
8. Secure the Cover to the container with Thumb Screws (13).

#### Model 8553-A

9. Install Pump Assembly (1) into Cover (9).
  - Make sure the weep hole in the air motor is aligned with the drain hole in the Cover. See **Figure 2-B**.
10. Secure the Pump to the Cover with Washers (10), Lock Washers (11) and Capscrews (12).
  - Tighten the Capscrews securely.
11. Fit the bolted Pump and Cover Assembly onto the container.
12. Secure the Cover to the container with Thumb Screws (8).

#### Model 8553-B

13. Screw Bung Adapter (13) into Cover (14).
14. Install Pump Assembly (1) into the Bung Adapter.
  - Make sure the pump is approximately 1/4-inch (7 mm) from the bottom of the drum.
15. Tighten the Bung Adapter securely.

#### All Models

##### Air Inlet

16. Screw Connector (2) [with thread sealant] into the inlet of the air motor.
  - Tighten the Connector securely.
17. Attach Air Coupler (3) to an air line.
  - Make sure the pressure rating of the air line is sufficient for the pump.
18. Attach the Air Coupler Assembly to the Connector.

##### Control Valve and Material Hose

19. Screw the large diameter end of Adapter (4) [with thread sealant] into the outlet of the Pump Assembly.
  - Tighten securely.
20. Screw either end of Material Hose (5) [with thread sealant] into the Adapter.
  - Tighten securely.
21. Screw the 1/2 " -27 end of Z-Swivel (6) [with thread sealant] into the Material Hose.
  - Tighten securely.
22. Screw the opposite end of the Z-Swivel [with thread sealant] into Control Valve Assembly (6).
  - Tighten securely.
23. Test/Prime the Pump assembly.

#### Changes Since Last Printing

Added Model 8553-2