



Service Guide

3922-A 3922-AC
 3922-AD
 3922-B 3922-BC
 3922-BD

Centralized Oil Lubricator

Description

CAUTION

These lubricators are to be used with mineral and synthetic oils. The use of alternate products may cause damage to components.

It is mandatory to ensure aerosol is delivered to the machine component prior to machine startup. Damage to component(s) can occur.

The lubricators in the 3922 series are either basic models or plate mounted.

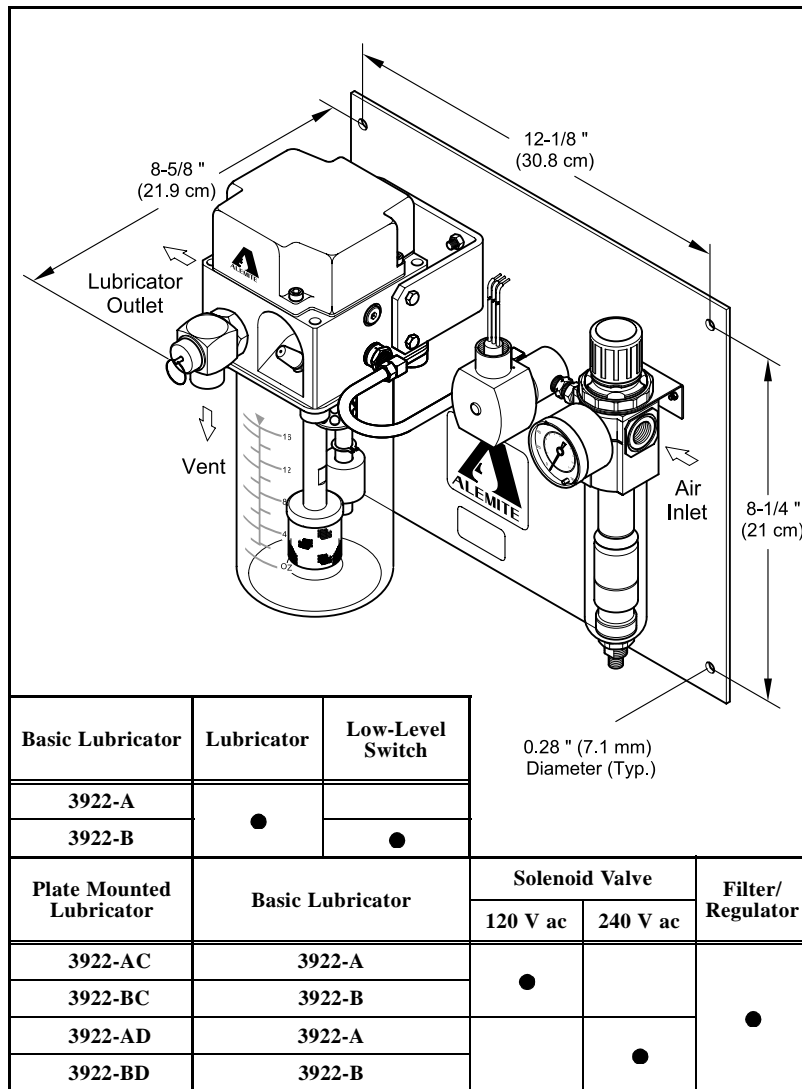
Basic Lubricator

The basic lubricator models require additional accessories prior to operation.

The lubricators in this series can contain an optional low-level switch. See **Figure 1**.

Plate Mounted Lubricator

Each of the basic models can be plate mounted. These models contain a filter/regulator and are equipped with either a 120 or 240 V ac solenoid valve. See **Figure 1**.



Basic Lubricator	Lubricator	Low-Level Switch	Solenoid Valve		Filter/Regulator	
			120 V ac	240 V ac		
3922-A	•					
3922-B		•				
Plate Mounted Lubricator	Basic Lubricator		Solenoid Valve		Filter/Regulator	
			120 V ac	240 V ac		
	3922-AC	3922-A	•			•
	3922-BC	3922-B				
	3922-AD	3922-A		•		
3922-BD	3922-B		•			

Figure 1 Lubricator Model 3922 Series - Model 3922-BC Shown

Specifications

Lubricator Assembly							Filter/Regulator				Solenoid Valve		
Outlet	Nozzle Output (Nominal)		Pressure Relief Valve		Reservoir Capacity		Filter Size	Air Inlet	Maximum Inlet Pressure		Conduit Connection	Amperage	
	cfm	l/m	psi	Bar	pint	liter			psi	Bar		120 V ac	240 V ac
3/4 " NPT	1	28	10	0.7	1	0.4	5-Micron	1/4 " NPTF	150	10.3	1/2 "	60 mA	30 mA

Table 1 Lubricator Model 3922 Series Specifications

Alemite, LLC
 167 Rowland Drive, Johnson City, Tennessee 37601
 www.alemite.com

Copyright © 2006 by Alemite, LLC

This document contains confidential information that is the property of Alemite, LLC and is not to be copied, used, or disclosed to others without express written permission.

SER 3922-A
 Revision (4-06)

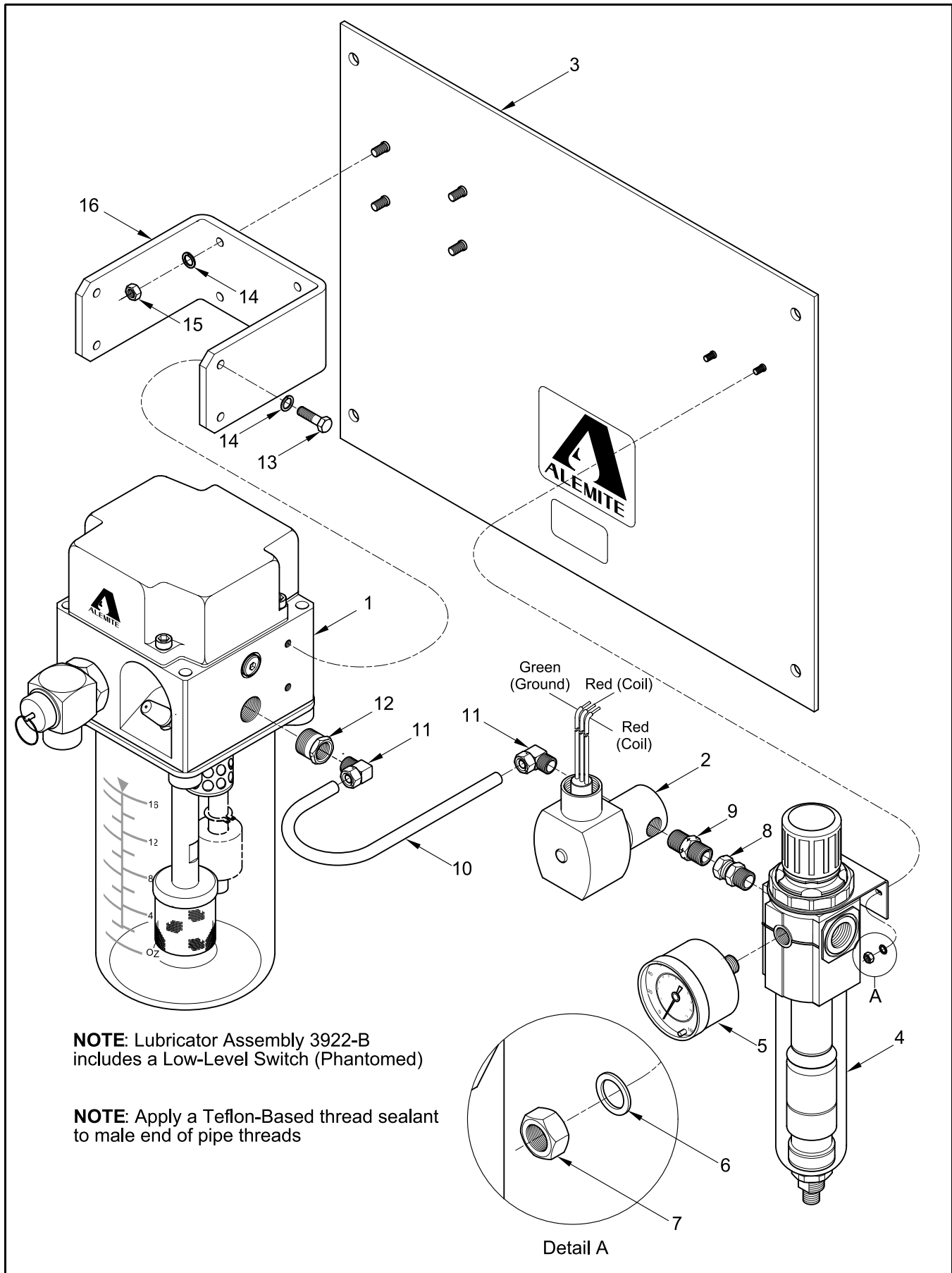


Figure 2 Lubricator Model 3922 Series- Exploded View

Item No.	Part No.	Description	Plate-Mounted Lubricator				Qty	Notes	Numeric Order Part # (Item #)				
			3922-AC	3922-AD	3922-BC	3922-BD							
1	3922-A	Lubricator Assembly (w/o low-level switch)	●				1	See Figure 3	1000-44 (8)				
	3922-B	Lubricator Assembly (w/ low-level switch)			●				3922-A (1)				
2	387449-1	Valve Assembly, Solenoid, 120 V ac	●		●		1		3922-B (1)				
	387449	Valve Assembly, Solenoid, 240 V ac		●		●	1		<i>12369</i> (14)				
3		Plate Assembly, Mounting	All Models				1		40996 (12)				
4	387335	Filter/Regulator					1		327033 (9)				
5	391421	Gauge, Pressure (0-160 psi) [0-11 kg/cm ²]					1		387335 (4)				
6		Washer, Flat, No. 6					2		387344 (16)				
7		Nut, 6 -32					2		<i>387350</i> (13)				
8	1000-44	Adapter, 1/4 " NPTF (m) x 1/4 " NPSM (f)					1		<i>387351</i> (7)				
9	327033	Adapter, 1/4 " NPTF (m) x 1/4 " NPTF (m)					1		<i>387352</i> (6)				
10		Tube, 1/4 " OD x 0.035 " Wall					1		<i>387354</i> (10)				
11		Elbow, Compression, 1/4 " NPT (m)					2		<i>387355</i> (11)				
12	40996	Bushing, 3/8 " NPTF (m) x 1/4 " NPTF (f)					1		<i>387356</i> (15)				
13		Screw, 1/4 " -20 x 5/8 "					4		<i>387357</i> (3)				
14		Washer, Lock, 1/4 "					8		387449 (2)				
15		Nut, 1/4 " -20					4		387449-1 (2)				
16	387344	Bracket, Lubricator Mounting					1		391421 (5)				
Legend: Part numbers left blank (or in <i>italics</i>) are not available separately													

Basic Lubricator

The basic lubricator is comprised of the following components:

- head assembly
- oil adjustment screw
- loader fitting (for filling)
- pressure relief valve
- nozzle and baffle assembly
- oil inlet screen and pickup tube
- pint reservoir (0.4 liter)
- low-level switch (optional)

Wiring and Installation

A wiring diagram mounts on the underneath side of Cover (17) for systems that include the low-level switch. See **Figure 3**.

Refer to Service Guide **SER COLS** for details on the installation of these lubricators.

Operation

These lubricators mix oil with compressed air to create a fine aerosol. The amount of aerosol dispensed is dependent on the following. The:

- size of the nozzle
- setting of the adjustment screw
- air pressure setting

Solenoid Valve

The solenoid valve on the plate mounted lubricator functions as an automatic on/off switch. Refer to Service Guide **SER COLS** for further details on lubricator operation.

Overhaul

NOTE: Lubricate O-Rings **21**, **24**, and **37** with clean oil prior to installation. See **Figure 3**.

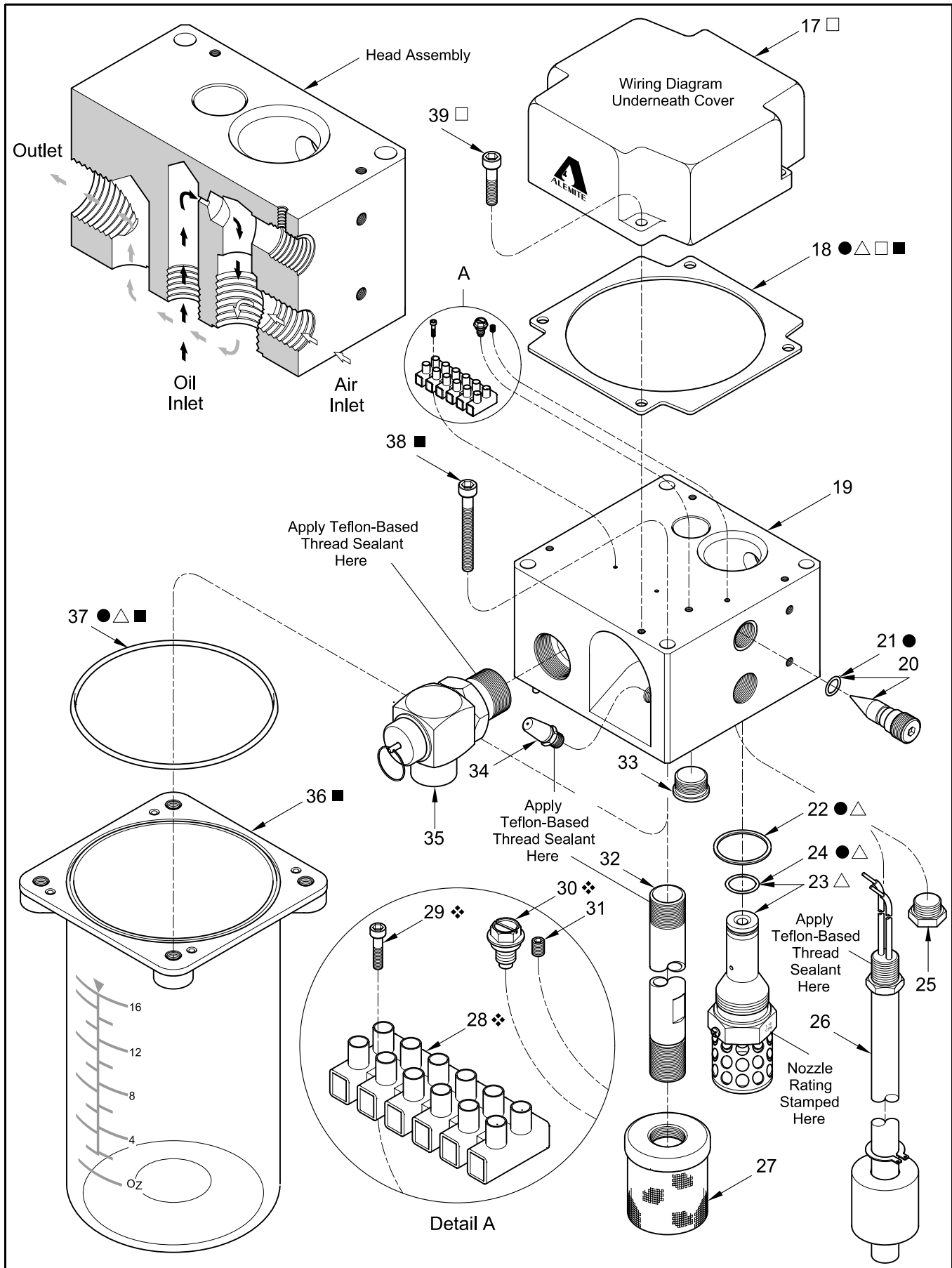


Figure 3 Lubricator Model 3922-A and 3922-B - Exploded View (w/ Section View of Head Assembly)

Item No.	Part No.	Description	Qty	Notes		Numeric Order Part # (Item #)
17		Cover	1	□		131266 (22)
18		Gasket	1	● △ □		171000-5 (21)
19		Head (w/ locating pins)	1			171018-12 (24)
20	387366	Screw Assembly, Oil Adjustment	1		Includes O-Ring	340368 (37)
21	171000-5	O-Ring, 1/4 " ID x 3/8 " OD	1	●		387291 (19)
22	131266	Gasket	1	● △		387293 (36)
23		Nozzle Assembly, 1.0 cfm (28 l/m)	1	△	Includes O-Ring	387294 (17)
24	171018-12	O-Ring, 3/8 " ID x 1/2 " OD	1	● △		387295 (27)
25		Plug, Pipe, 1/8 " NPTF	1		Model 3922-A Only	387296 (26)
26	387296	Switch Assembly, Low-Level	1		Model 3922-B Only	387299 (18)
27	387295	Screen, Inlet	1			387305 (32)
28		Strip, Terminal	1	❖	Model 3922-B Only	387306 (31)
29		Screw, 3 -48 x 1/2 "	2	❖	Model 3922-B Only	387312 (28)
30		Screw, Ground, 10 -32 (Green)	1	❖	Model 3922-B Only	387313 (29)
31		Setscrew, 5 -40 x 1/4 "	1			387340 (33)
32		Tube Assembly, Oil Pickup	1			387341 (39)
33	387340	Plug, 3/4 " -16	1			387342 (34)
34	387342	Valve Assembly, Loader	1			387345 (35)
35	387345	Valve Assembly, Pressure Relief	1			387346 (30)
36		Reservoir Assembly (1 pint) [0.4 liter]	1	■		387348 (38)
37		O-Ring	1	● △ ■		387359 (25)
38		Screw, 1/4 " -20 x 2-1/4 "	4	■		387360-1 (23)
39		Screw, 10 -32 x 3/4 "	4	□		387366 (20)

Legend:
Part numbers left blank (or in *italics*) are not available separately
● △ □ ■ ❖ designates a repair kit item

Repair Kits

Part No.	Kit Symbol	Description	Notes
393685	●	Kit, Seal	
393686	△	Kit, Nozzle	
393688	□	Kit, Cover	Cover does not include wiring diagram
393689	❖	Kit, Terminal Strip	
393691	■	Kit, Reservoir	

Changes Since Last Printing
Added O-Ring 340368

