

High-Pressure Portable Pump

Description

The major components of the high-pressure portable pump assembly in the 9911 model series consist of a(n):

- air-operated motor
- double-acting reciprocating pump tube
- control valve assembly, z-swivel, and delivery hose
- cover and handle assembly
- follower plate
- two-wheel hand truck (Model 9911-Z1 only)

Pump Assembly

The high-pressure (50:1 ratio) pump included with the assembly is designed to deliver a range of greases [up to NLGI # 3] and operate directly from their original 35-pound container.

Models 9911-H1 and 9911-Z1

Model 9911-Z1 includes a two-wheel hand truck to aid transport. See **Figure 1**.

Specifications

IMPORTANT: For detailed information on the pump tube (including specifications and performance data) refer to SER 9911-1/9950-1.

For information on the motor, please refer to SER 339413.

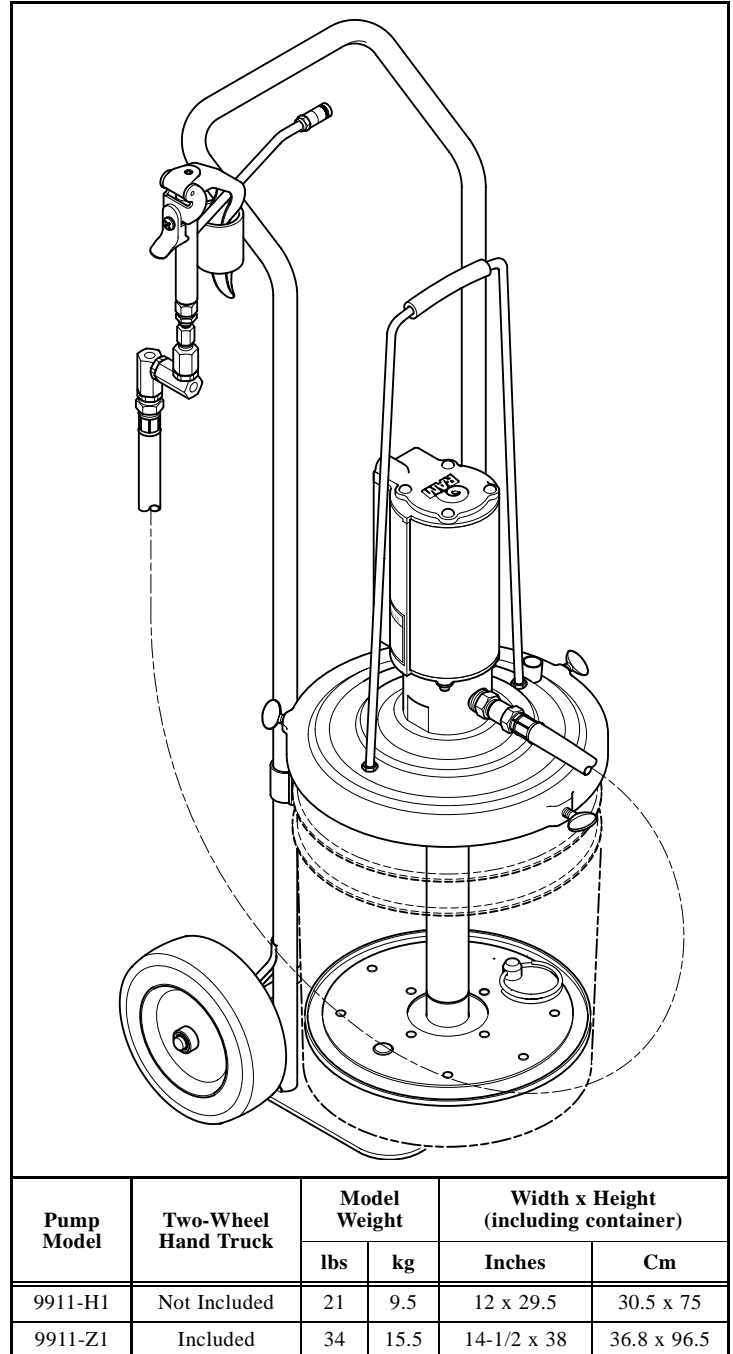


Figure 1 High-Pressure Portable Pump
Models 9911-H1 and 9911-Z1 - Model 9911-Z1 Shown

Alemite Corporation
167 Rowland Drive, Johnson City, Tennessee 37601
www.alemite.com

Copyright © 2004 by Alemite Corporation

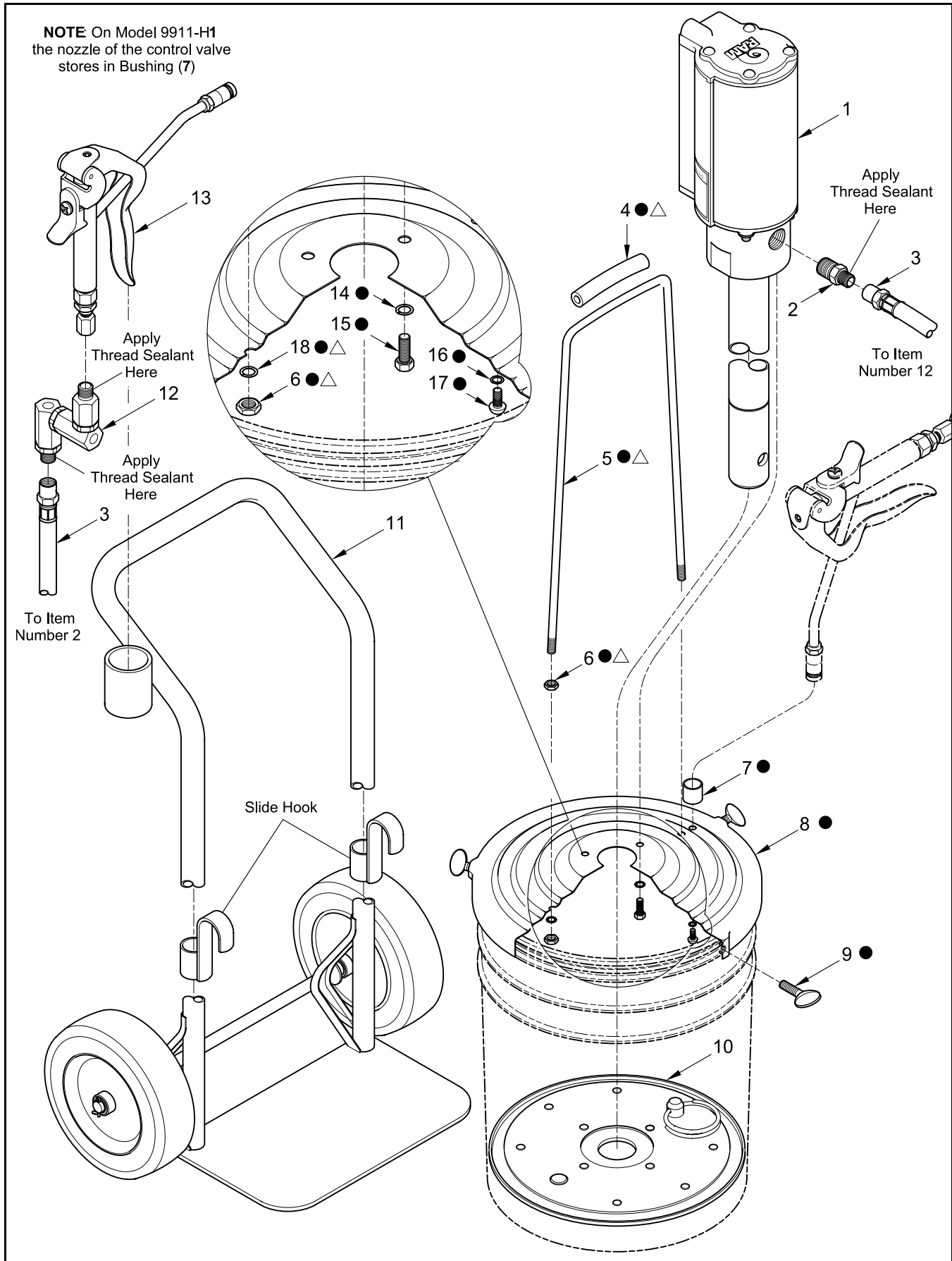


Figure 2 High-Pressure Portable Pump Models 9911-H1 and 9911-Z1 - Exploded View

Item No.	Part No.	Description	Qty	Notes	Numeric Order Part # (Item #)
1	9911-1	Pump Assembly, High-Pressure	1		6320-3 (13)
2	44734	Adapter, 1/2 " -27 x 3/8 " NPTF (m)	1		9911-1 (1)
3	317875-7	Hose Assembly, Material	1		18223 (9)
4		Grip (Rubber)	1	● △	44734 (2)
5		Handle	1	● △	B52752 (12)
6		Nut, 5/16 " -18	4	● △	77009 (16)
7	315943	Bushing	1	●	77786 (15)
8		Cover Assembly	1	●	79029 (6)
9	18223	Screw, Thumb, 1/4 " -20	3	●	170561 (17)
10	337665	Plate Assembly, Follower	1		172207-1 (14)
11	338958	Truck, Hand, Two-Wheel	1		172207-2 (18)
12	B52752	Z-Swivel Assembly, High-Pressure	1		315943 (7)
13	6320-3	Valve Assembly, High-Pressure Control	1		317875-7 (3)
14		Washer, Lock, 1/4 "	3	●	321678 (4)
15		Capscrew, 1/4 " -20 x 1/2 "	3	●	321696 (5)
16		Washer, Internal Tooth Lock, 1/4 "	1	●	337665 (10)
17		Screw, 1/4 " -20 x 5/16 "	1	●	338141 (8)
18		Washer, Lock, 5/16 "	2	● △	338958 (11)

Legend:Part numbers left blank (or in *italics*) are not available separately

● △ designates a repair kit item

Repair Kits

Part No.	Kit Symbol	Description
338166	●	Kit, Cover
393607	△	Kit, Handle

Assembly

NOTE: Refer to **Figure 2** for component identification on all assembly procedures.

CAUTION

Select a clean environment for all assembly procedures. Prevent contamination from foreign material. Damage to components can occur.

Pump Assembly

IMPORTANT: Make sure to remove the protective cover from the inlet of Pump Assembly (1).

1. Install Pump Assembly (1) into Cover (8).
2. Secure the Pump Assembly to the Cover with Lock Washers (14) and Capscrews (15).
 - Tighten the Capscrews securely.

IMPORTANT: Do not apply thread sealant to the first two (2) threads of any connection. Contamination can occur.

Cover Assembly and Follower

3. Install Grip (4) onto Handle (5).
 4. Screw Nut (6) onto each end of the Handle.
 5. Install the ends of the Handle into Cover (8).
 6. Install Lock Washer (18) and additional Nut (6) onto each end of the Handle.
 - Tighten the Nuts securely.
 7. Place Follower Plate (10) onto the top of the product.
 - With a wobbling motion, eliminate any air that may be trapped underneath the Follower Plate. Force the product through the hole in the center of the Plate.
- NOTE:** On model 9911-Z1, place the container on Hand Truck (11). Slide each hook onto the lip of the container.
8. Guide the pump tube into the Follower Plate and fit the Cover onto the container.
 9. Secure the Cover to the container with Thumb Screws (9).

Control Valve and Material Hose

10. Screw the large diameter end of Adapter (2) [with thread sealant] into the outlet of the Pump Assembly.
 - Tighten securely.
11. Screw either end of Material Hose (3) into the Adapter.
 - Tighten securely.
12. Screw the 1/2 " -27 end of Z-Swivel (12) [with thread sealant] into the Material Hose.
 - Tighten securely.
13. Screw the opposite end of the Z-Swivel [with thread sealant] into Control Valve (13).
 - Tighten securely.
14. Test/Prime the Pump assembly.
 - Refer to Service Guide SER 9911-1/9950-1 for details.

Changes Since Last Printing

Deleted Air Motor Body Check Valve