

High-Pressure Portable Pump

Description

The major components of the high-pressure portable pump assembly in the 9911-H model series consist of a(n):

- air-operated motor
- double-acting reciprocating pump tube with bung adapter
- control valve assembly, z-swivel, and delivery hose
- cover with bung fitting
- handle assembly and bushing (model 9911-HA1 only)
- follower plate

Pump Assembly

The high-pressure (50:1 ratio) pump included with the assembly is designed to deliver a range of greases [up to NLGI # 3] and operate directly from their original containers.

Models 9911-HA1, 9911-HB1 and 9911-HC1

Each pump model includes a pump assembly that has a tube length to accommodate different size containers. See **Figure 1**.

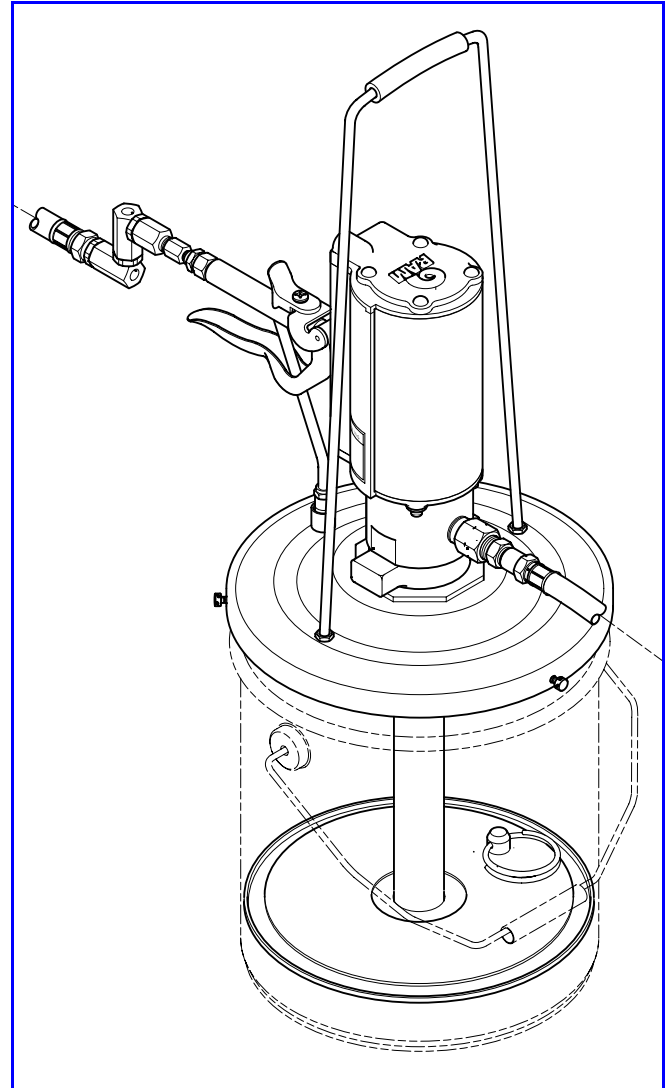
NOTE: Model 9911-HA1 contains a handle assembly and is designed to be transported by hand.

Models 9911-HB1 and 9911-HC1 are designed to be utilized with model **338958** two-wheel hand truck (not included).

Specifications

IMPORTANT: For detailed information on the pump tube (including specifications and performance data) refer to SER 9911-1/9950-1.

For information on the motor, please refer to SER 339413.



Pump Model	Container Size in kg	Cover with Handle and Bushing
9911-HA1	12.5	Included
9911-HB1	20	Not Included
9911-HC1	50	

Figure 1 High-Pressure Portable Pump
Model 9911-H1 Series - Model 9911-HA1 Shown

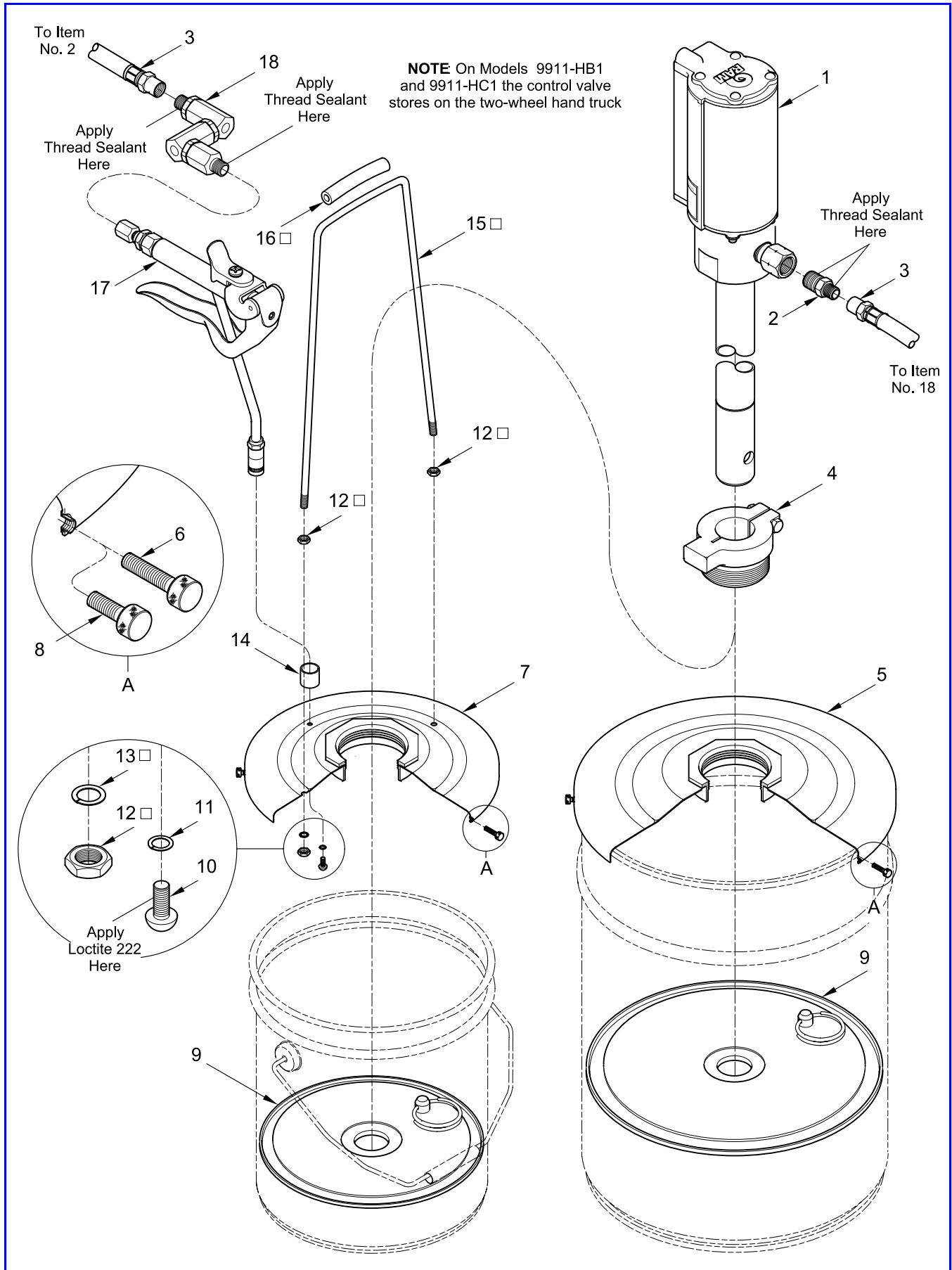


Figure 2 High-Pressure Portable Pump Models 9911-HI Series - Exploded View

Item No.	Part No.	Description	Qty	Model			Notes	Numeric Order Part # (Item #)	
				9911-HA1	9911-HB1	9911-HC1			
1	9950-1	Pump Assembly	1			●	See SER 9911-1/9950-1	6320-3 (17)	
	9950-B1	Pump Assembly	1	●				9950-1 (1)	
	9950-C1	Pump Assembly	1		●			9950-B1 (1)	
2	44734	Adapter, 1/2 " -27 x 3/8 " NPTF (m)	1	All				9950-C1 (1)	
3	317875-7	Hose Assembly, Material	1						44734 (2)
4	326750	Adapter, Bung, 2 " NPTF (m)	1						48018 (8)
5	338983	Cover Assembly	1			●	Includes item 6	B52752 (18)	
6		Screw, Thumb, 1/4 " -28 x 1.63 "	3			●		77009 (11)	
7	338981	Cover Assembly	1	●			Includes item 8	79029 (12)	
	338982	Cover Assembly	1		●			170561 (10)	
8	48018	Screw, Thumb, 1/4 " -28 x 0.88 "	3	●	●			172207-2 (13)	
9	338991	Plate Assembly, Follower	1	●				315943 (14)	
	338992	Plate Assembly, Follower	1		●			317875-7 (3)	
	338993	Plate Assembly, Follower	1			●		321678 (16)	
10		Screw, 1/4 " -20 x 5/16 "	1	●				321696 (15)	
11		Washer, Internal Tooth Lock, 1/4 "	1	●				326750 (4)	
12		Nut, 5/16 " -18	4	●			□	338981 (7)	
13		Washer, Lock, 5/16 "	2	●			□	338982 (7)	
14	315943	Bushing	1	●				338983 (5)	
15		Handle	1	●			□	338991 (9)	
16		Grip (Rubber)	1	●			□	338992 (9)	
17	6320-3	Valve Assembly, High-Pressure	1	All			See SER 6320-3	338993 (9)	
18	52752	Z-Swivel Assembly, High-Pressure	1						See SER B52750

Legend:
 Part numbers left blank (or in *italics*) are not available separately
 □ designates a repair kit item

Repair Kits

Part No.	Kit Symbol	Description
393607	□	Kit, Handle

Assembly

NOTE: Refer to **Figure 2** for component identification on all assembly procedures.

CAUTION

Select a clean environment for all assembly procedures. Prevent contamination from foreign material. Damage to components can occur.

Pump Assembly

IMPORTANT: Make sure to remove the protective cover from the inlet of Pump Assembly (1).

1. Screw Bung Adapter (4) into Cover (5).
2. Install Pump Assembly (1) into the Bung Adapter.
 - Do not tighten the Bung Adapter at this time.

Cover Assembly

NOTE: The following procedures are applicable to model 9911-HA1 only.

3. Install Grip (16) onto Handle (15).
4. Screw Nut (12) onto each end of the Handle.
5. Install the ends of the Handle into the Cover.
6. Install Lock Washer (13) and additional Nut (12) onto each end of the Handle.
 - Tighten the Nuts securely.

Follower Plate Assembly

7. Place Follower Plate (9) onto the top of the product.
 - With a wobbling motion, eliminate any air that may be trapped underneath the Follower Plate. Force the product through the hole in the center of the Plate.
8. Guide the Pump and Cover Assembly into the Follower Plate and fit the Cover onto the container.
 - Allow the Pump to descend to the bottom of the container.
9. Secure the Cover to the container with Thumb Screws (8).
10. Adjust the Pump upward approximately 1/4 " (7 mm) from the bottom of the container.
 - Make sure the pump is oriented properly.
11. Tighten the screw on the Bung Adapter securely.

Control Valve and Material Hose

IMPORTANT: Do not apply thread sealant to the first two (2) threads of any connection. Contamination can occur.

12. Screw the large diameter end of Adapter (2) [with thread sealant] into the outlet of the Pump Assembly.
 - Tighten securely.
13. Screw either end of Material Hose (3) into the Adapter.
 - Tighten securely.
14. Screw the 1/2 " -27 end of Z-Swivel (18) [with thread sealant] into the Material Hose.
 - Tighten securely.
15. Screw the opposite end of the Z-Swivel [with thread sealant] into Control Valve (17).
 - Tighten securely.
16. Test/Prime the Pump assembly.
 - Refer to Service Guide SER 9911-1/9950-1 for details.

Changes Since Last Printing

Changed Bung Adapter from 326750-F1 to 326750