



# Service Guide

3942-B 3942-BD 3942-D  
 3942-DB 3942-DD  
 3943-B 3943-BD 3943-C  
 3943-DB 3943-DD

## Centralized Oil Lubricator

### Description

#### CAUTION

These lubricators are to be used with mineral and synthetic oils. The use of alternate products may cause damage to components.

It is mandatory to ensure aerosol is delivered to the machine component prior to machine startup. Damage to component(s) can occur.

The lubricators in the 3942 and 3943 series are either basic models or plate mounted.

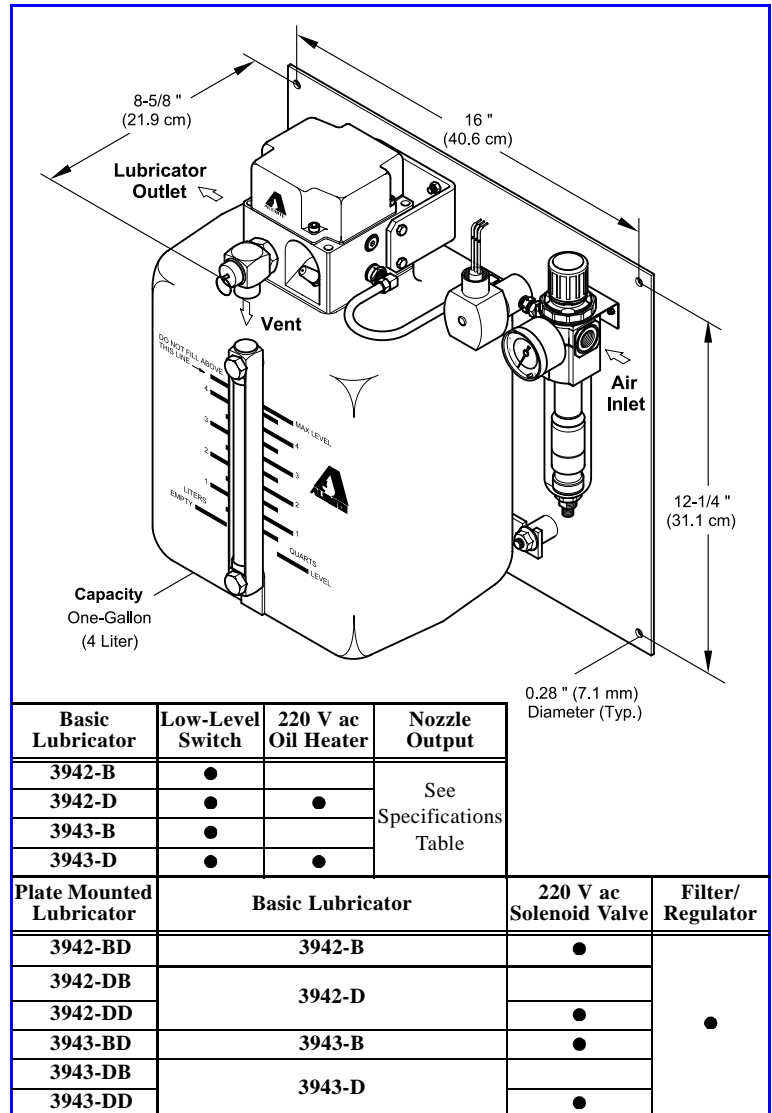
#### Basic Lubricator

The basic lubricator models require additional accessories prior to operation.

The lubricators in this series can contain either a 1.0 or 2.3 (28 or 65 l/m) nozzle assembly. Additional models are created by including a 220 V ac oil heater. See **Figure 1**.

#### Plate Mounted Lubricator

All of the basic models can be plate mounted. These models include a filter/regulator and can contain a 220 V ac solenoid valve. See **Figure 1**.



**Figure 1** Lubricator Model 3942 and 3943 Series Plate Mounted Shown with Solenoid Valve

### Specifications

Lubricator Model	Lubricator Assembly						Filter/Regulator				220 V ac Solenoid Valve	
	Outlet	Nozzle Output (Nominal)		Pressure Relief Valve		220 V ac Oil Heater Amperage	Filter Size	Air Inlet	Maximum Inlet Pressure		Conduit Connection	Amperage
		cfm	l/m	psi	Bar				psi	Bars		
3942 Series	3/4 " NPT	1.0	28	10	0.7	0.9 A	5-Micron	1/4 " NPTF	150	10.3	1/2 "	30 mA
3943 Series		2.3	65									

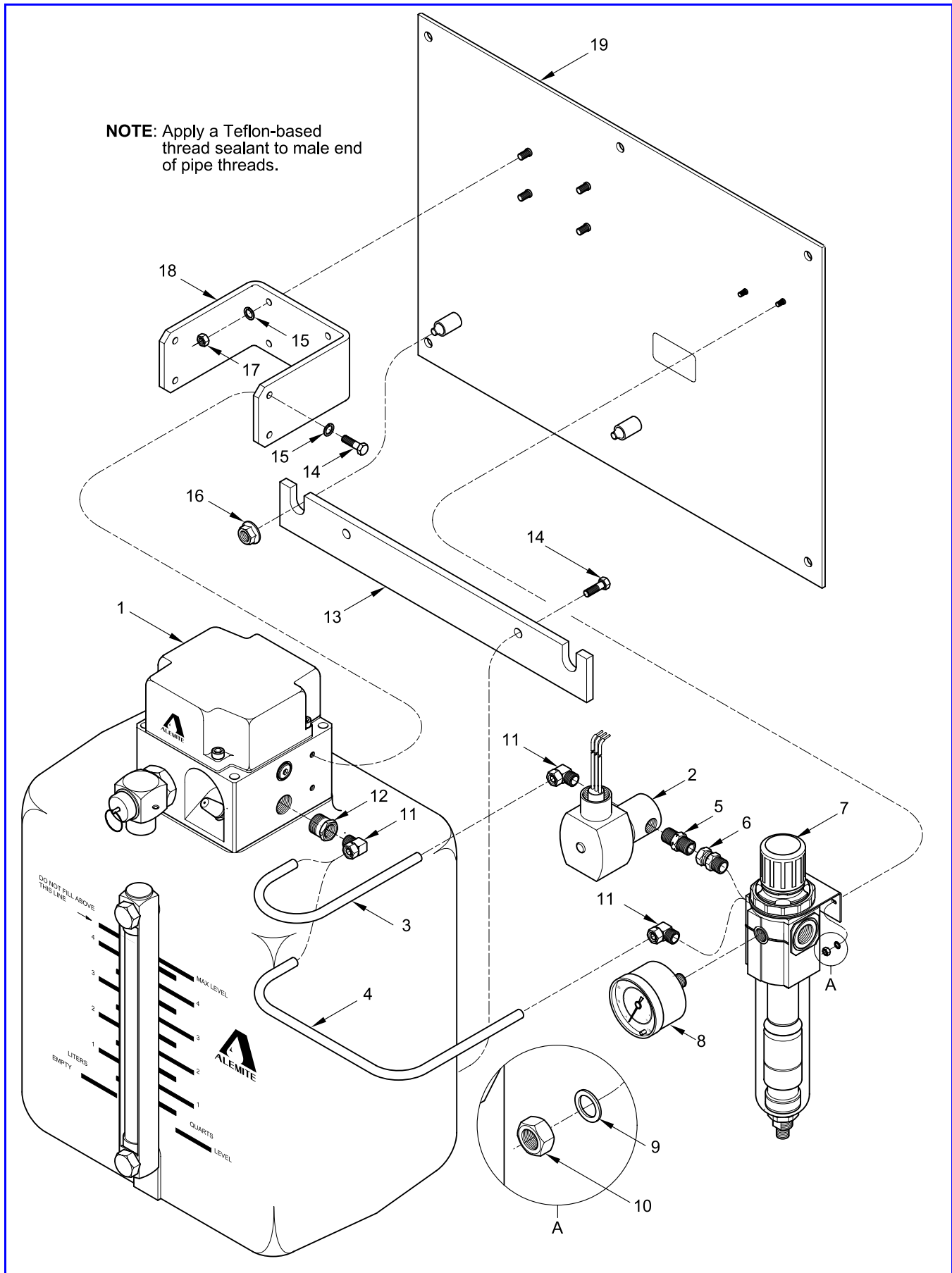
**Table 1** Lubricator Model 3942 and 3943 Series Specifications

Alemite Corporation  
 PO Box 473515, Charlotte, North Carolina 28247-3515  
 www.alemite.com

Copyright © 2001 by Alemite Corporation

This document contains confidential information that is the property of Alemite Corporation and is not to be copied, used, or disclosed to others without express written permission.

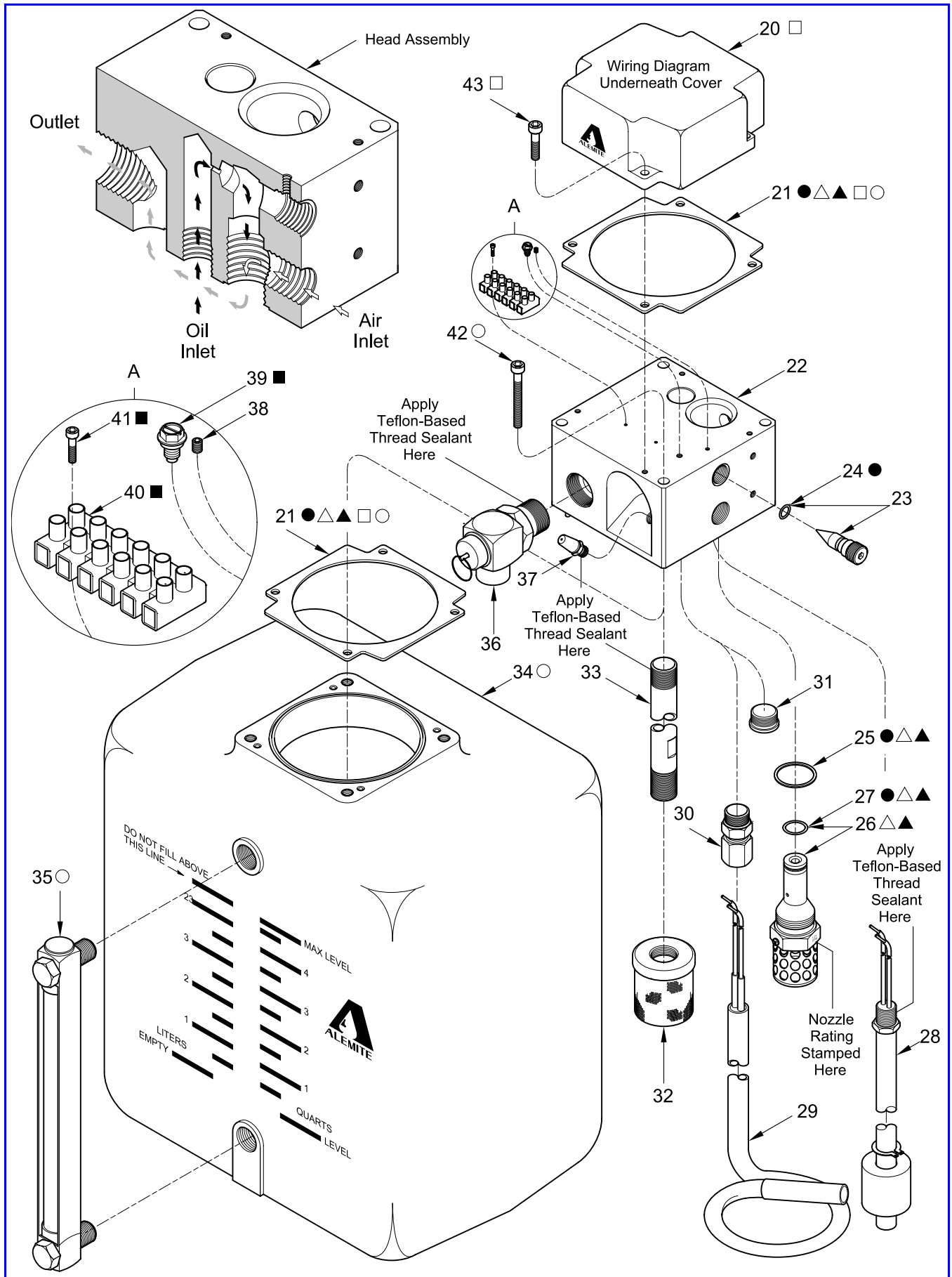
SER 3942-D  
 Revision (12-01)



**Figure 2** Lubricator Model 3942 and 3943 Series- Exploded View

Item No.	Part No.	Description	Qty	Plate-Mounted Model						Notes	Numeric Order Part # (Item #)					
				3942-BD	3942-DB	3942-DD	3943-BD	3943-DB	3943-DD							
1	3942-B	Lubricator (w/ low-level switch & 1.0 cfm nozzle)	1	●						See Figure 3	1000-44 (6)					
	3942-D	Lubricator (w/ oil heater & 1.0 cfm nozzle)	1		●	●					3942-B (1)					
	3943-B	Lubricator (w/ low-level switch & 2.3 cfm nozzle)	1				●				3942-C (1)					
	3943-D	Lubricator (w/ oil heater & 2.3 cfm nozzle)	1					●	●		3943-B (1)					
2	387449	Valve Assembly, Solenoid, 220 V ac	1	●		●	●		●		3943-C (1)					
3		Tube, 1/4 " OD x .035 " Wall	1	●		●	●		●		<i>12369</i> (15)					
4		Tube, 1/4 " OD x .035 " Wall	1		●			●			40996 (12)					
5	327033	Adapter, 1/4 " NPTF (m) x 1/4 " NPTF (m)	1	●		●	●		●		327033 (5)					
6	1000-44	Adapter, Union, 1/4 " NPTF (m) x 1/4 " NPSM (f)	1	●		●	●		●		387335 (7)					
7	387335	Filter/Regulator	1	All								387344 (18)				
8	391421	Gauge, Pressure (0-60 psi) [0-11 kg/cc]	1													387350 (14)
9		Washer, Flat, No. 6	2													387351 (10)
10		Nut, 6 -32	2													387352 (9)
11		Elbow, Compression, 1/4 " NPT (m)	2													387354 (3)
12	40996	Bushing, 3/8 " NPTF (m) x 1/4 " NPTF (f)	1													387355 (11)
13		Bar, Mounting	1													387356 (17)
14		Screw, 1/4 " -20 x 1/2 "	6													387367 (19)
15		Washer, Lock, 1/4 "	8													387368 (13)
16		Nut, 5/16 " -18	2													387370 (16)
17		Nut, 1/4 " -20	4							387449 (2)						
18	387344	Bracket, Lubricator Mounting	1							391421 (8)						
19		Plate Assembly, Mounting	1							387648 (4)						

**Legend:**  
Part numbers left blank (or in *italics*) are not available separately



**Figure 3** Lubricator Models 3942-B, 3942-C, 3943-B and 3943-C - Exploded View (w/ Section View of Head Assembly)

Item No.	Part No.	Description	Qty	Notes	Numeric Order Part # (Item #)
20		Cover (w/o wiring diagram)	1	□	131266 (25)
21		Gasket	2	● △ ▲ □ ○ Qty of 2 in ● Kit	171000-5 (24)
22		Head Assembly (w/ locating pins)	1		171018-12 (27)
23	387366	Screw Assembly, Oil Adjustment	1		383831-4 (26)
24	171000-5	O-Ring, 1/4 " ID x 3/8 " OD	1	●	387291 (22)
25	131266	Gasket	1	● △ ▲	387292 (34)
26		Nozzle Assembly, 1.0 cfm (28 l/m)	1	△	Model 3942-B, 3942-D 387294 (20)
		Nozzle Assembly, 2.3 cfm (65 l/m)	1	▲	Model 3943-B, 3943-D 387295 (32)
27	171018-12	O-Ring, 3/8 " ID x 1/2 " OD	1	● △ ▲	387297 (28)
28	387297	Switch Assembly, Low-Level, 120 V ac	1		387299 (21)
29	387323-A	Heater Assembly, Oil, 220 V ac	1		Model 3942-D, 3943-D 387304 (33)
30	387333	Connector, 3/4 " -16	1		387306 (38)
31	387340	Plug, 3/4 " -16	1		Model 3942-B, 3943-B 387309-7 (35)
32	387295	Screen, Inlet	1		387312 (40)
33		Tube Assembly, Oil Pickup	1		387313 (41)
34		Reservoir Assembly (1-gallon) [4 liter]	1	○	387323-A (29)
35	387309-7	Gauge Assembly, Level	1	○	387333 (30)
36	387345	Valve Assembly, Safety Relief	1		387340 (31)
37	387342	Valve Assembly, Loader	1		387341 (43)
38		Setscrew, 5 -40 x 1/4 "	1		387342 (37)
39		Screw, Ground, 10 -32 (Green)	1	■	387345 (36)
40		Strip, Terminal	1	■	387346 (39)
41		Screw, 3 -48 x 7/16 "	2	■	387348 (42)
42		Screw, 1/4 " -20 x 2-1/4 "	4	○	387360-1 (26)
43		Screw, 10 -32 x 5/8 "	4	□	387366 (23)

**Legend:**

Part numbers left blank (or in *italics*) are not available separately

● △ ▲ □ ■ ○ designates a repair kit item

**Repair Kits**

Part No.	Kit Symbol	Description	Part No.	Kit Symbol	Description
<b>393685</b>	●	Kit, Seal	<b>393688</b>	□	Kit, Cover
<b>393686</b>	△	Kit, Nozzle (for 1.0 cfm nozzles)	<b>393689</b>	■	Kit, Terminal Strip
<b>393687</b>	▲	Kit, Nozzle (for 2.3 cfm nozzles)	<b>393690</b>	○	Kit, Reservoir

## Basic Lubricator

The basic lubricator is comprised of the following components:

- head assembly
- oil adjustment screw
- loader fitting (for filling)
- pressure relief valve
- nozzle and baffle assembly
- oil inlet screen and pickup tube
- gallon reservoir (4 liter)
- low-level switch
- oil heater (optional)

## Wiring and Installation

A wiring diagram mounts on the underneath side of Cover (20) for systems that include the low-level switch and/or the oil heater. See **Figure 3**.

Refer to Service Guide **SER COLS** for details on the installation of these lubricators.

## Operation

These lubricators mix oil with compressed air to create a fine aerosol.

The amount of aerosol dispensed is dependent on the following. The:

- size of the nozzle
- setting of the adjustment screw
- air pressure setting

### 220 V ac Solenoid Valve

The 220 V ac solenoid valve on the plate mounted lubricator functions as an automatic on/off switch.

Refer to Service Guide **SER COLS** for further details on lubricator operation.

## Overhaul

**NOTE:** Lubricate O-Rings **24** and **27** with clean oil prior to installation. See **Figure 3**.

### Changes Since Last Printing

Removed Square Ring 387311  
Added Lock Washer 12369